

东莞市创捷电子有限公司

Dongguan Chuangjie Electronics Co., Ltd

产品承认书

客户:

CUSTOMER: _____

品名:

PART NAME: MX0433T-A01

版本:

REVISION: A01

本公司签核 (SIGNAFUR)	工 程 (CHECKED BY)	品 保 (TESTED)	签核日期 (DATE)
	James	刘美娟	
客户承认 (CUSTOMER APPROVED)	(承认后请签回给我司) (Please signed back to us after approving)		

承认书项目表

NO.	内容 (Contents)	页数 (Number ofPage)	页码 (Page Code)
1	承认书封面 (Spec Cover)	1	1
2	承认书项目表 (Spec Item)	1	2
3	工程成品图 (Drawing)	1	3
4	电性测试报告 (Test Reports)	1	4
5	S 参数测试 (S Parameter)	1	5
6	增益测试 (Gain Test)	1	6
7			
8			
9			
10	-	-	-
11	-	-	-
12	-	-	-

1 2 3 4 5 6 7 8

E

D

C

B

A

E

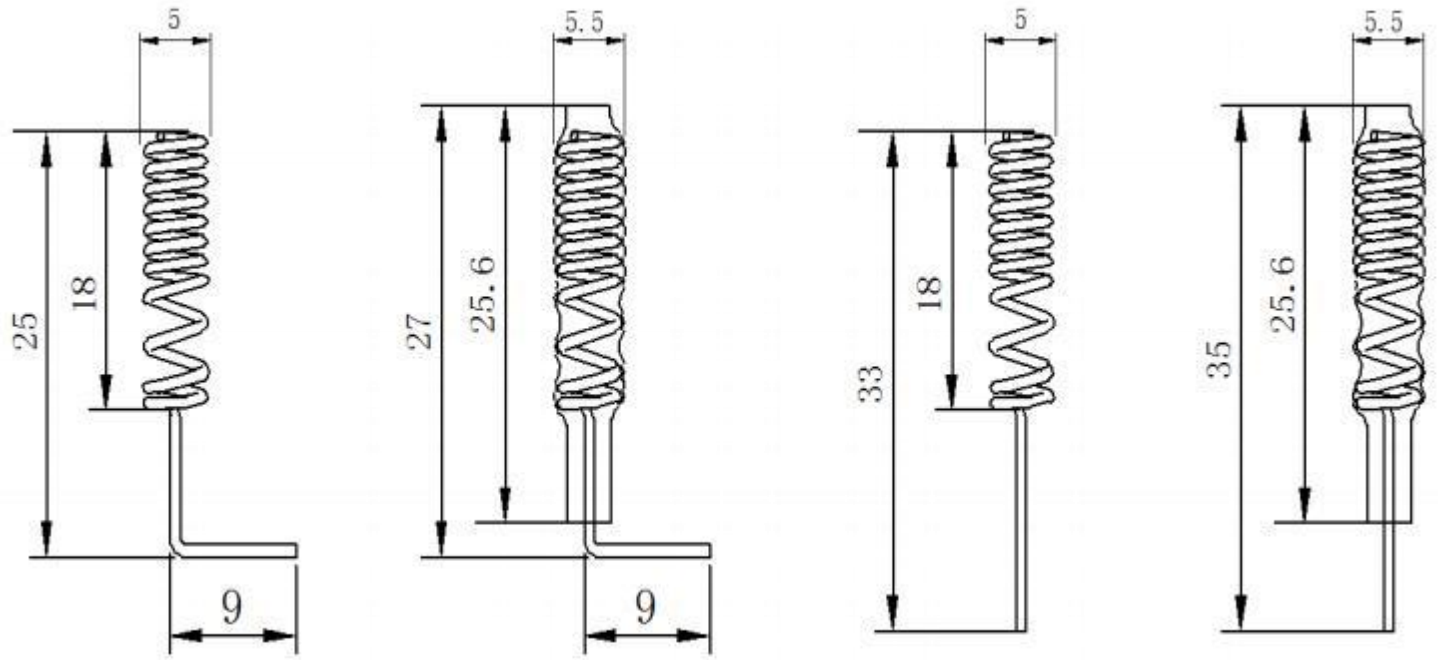
D

C

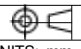
B

A

SIGN	DATE	DESCRIPTION	APPROVER
B			
C			
D			



东莞市创捷电子有限公司

TITLE:4G 3G NB ANTENNA			
PART NO.: TH-4G 3G NB		DWG NAME:	
APPROVED BY	CHECKED BY	DESIGNED BY	 Tolerance X.X ±0.20 X.XX ±0.10 Xo ±3σ
jeff 2014-03-18	leon 2014-03-18	YD 2014-03-18	
UNITS: mm		SCALE: 1/1	
		REVISION: A	

3	MX0433T-A01	弹簧		1
2				1
1				1
No.	Part Number	Name	Material	Q'ty

1 2 3 4 5 6 7 8

电性测试报告

Test Reports

Electrical Properties	
Frequency	760-960 1710-2170 2500-2700M
Impedance	50 Ohm
V.S.W.R	<=2.0
Radiation	Omni-directional
Polarization	Linear
Admitted Power	1W
Connector	Welded
Physical Properties	
Antenna Material	Copper
Cable Type	O.D. 1.13mm // 130 mm
Operating Temp.	-10 ~ +60 °C
Storage Temp.	-10 ~ +70 °C

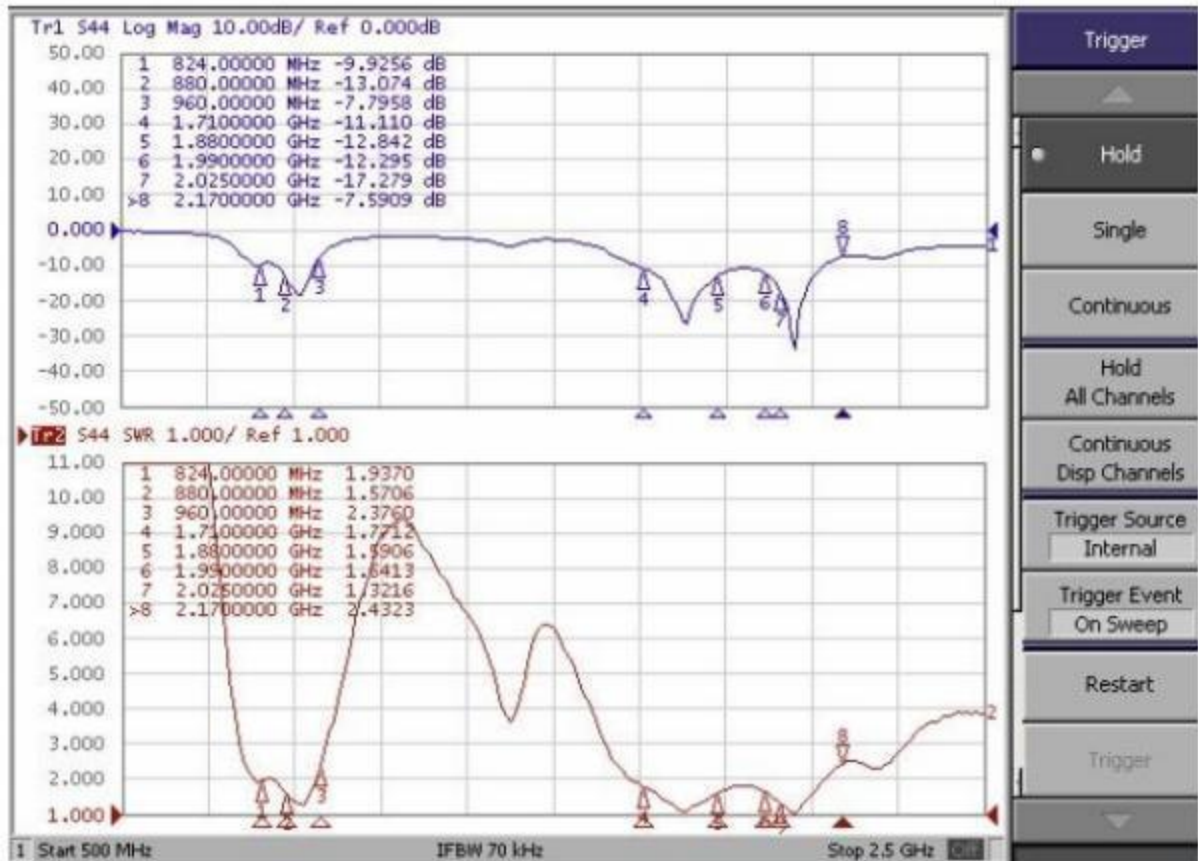
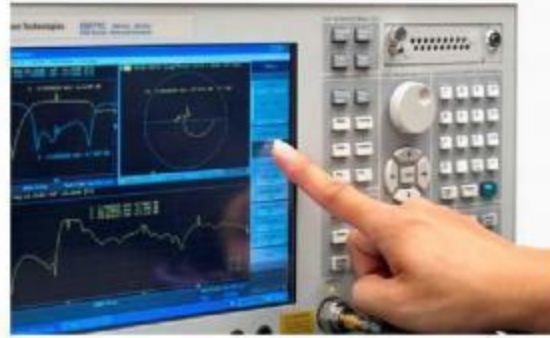
地址：广东省东莞市虎门镇大宁麒麟东路6号

ADD: No.6 Daning Qilin East Road, Humen Town, Dongguan City, Guangdong Province

S 参数测试

S Parameter Test

Agilent E50 71 C



地址：广东省东莞市虎门镇大宁麒麟东路6号

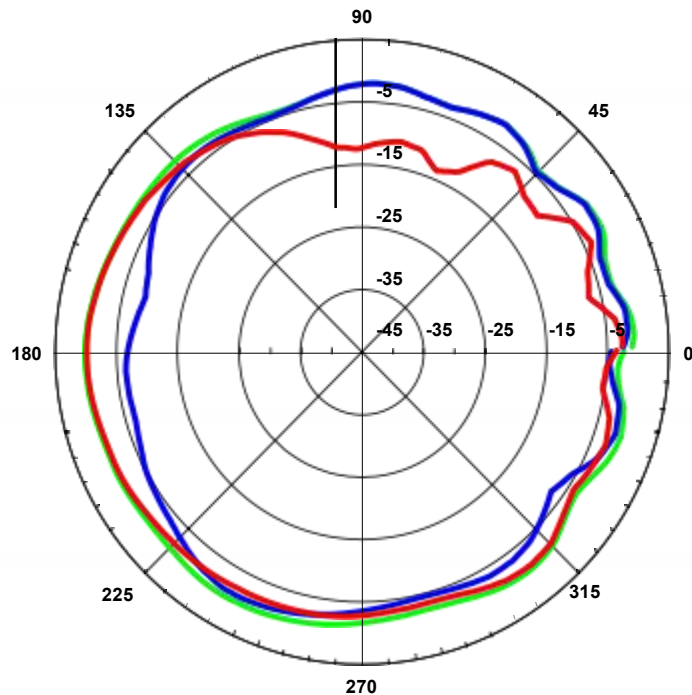
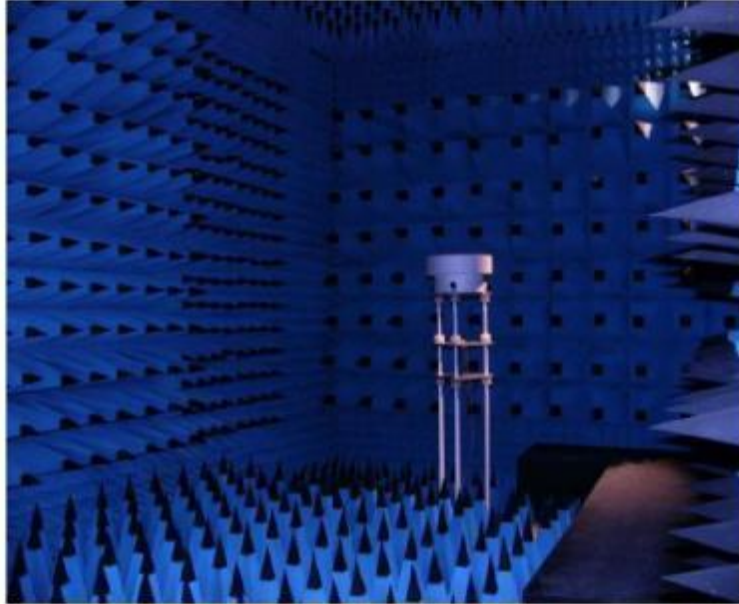
ADD: No.6 Daning Qilin East Road, Humen Town, Dongguan City, Guangdong Province

增益测试

Gain Test

902~915MHz Antenna Peak Gain: 3(dBi)

*Antenna
Radiation
Pattern
VS
Gain*



地址：广东省东莞市虎门镇大宁麒麟东路6号

ADD: No.6 Daning Qilin East Road, Humen Town, Dongguan City, Guangdong Province