

RAK473

User Manual

Shenzhen Rakwireless Technology Co., Ltd.

www.rakwireless.com info@rakwireless.com

©2015Rakwirelessallrightsreserved.

Mentionedinthisdocument, theactualcompanyandproductnames,
trademarksaretheirrespectiveowners.

Afterupdatethenewversion, thisdocumentwithoutpriornotice.

Content

1.GeneralDescription	1
2.Features.....	2
3. System Block Diagram.....	3
4. Module Hardware Description	4
4.1 Module photo.....	5
4.2 Package information	5
4.3 Pin definition	6
4.4 Reference design.....	7
5. Electrical Specification	8
5.1 802.11b Mode.....	8
5.2 802. 11g Mode.....	9
5.3 802. 11n HT20 Mode.....	9
5.4 802. 11n HT40 Mode.....	10
6. Order information	11
6.1 Module size.....	11
7. FCC Caution	11
8. Contact information.....	12
9. Modification records	13

1. General Description

RAK473 module is a Wi-Fi module that fully compliant with IEEE 802.11b/g/n wireless standards, It combines an ARM-CM3 MCU, WLAN MAC, a 1T1R capable WLAN baseband, and RF in the module. It have onboard antenna, and external antenna interface, RF output PIN also exist in the board. RAK473 internally integrated TCP / IP protocol stack, supporting numerous protocols such as ARP, IP, ICMP, TCP, UDP, DHCP CLIENT, DHCP SERVER, DNS and other etc. It supports AP mode, Station mode. It also support rich AT command for all kinds of application. Users can easily and quickly use it to wifi networking and data transmission. The baud rate of module serial port is up to 921600bps, which can fully meet the low-rate applications.

In network part, RAK473 supports storing network parameters in the module, and reduce time connect to network. The module has built-in WEB server, supporting wireless network parameters configuration, supporting wireless firmware upgrade. It also supports WPS and EasyConfig. In application part, HTTP, MQTT, MDNS and SSL also be supported.

It also provides a bunch of configurable GPIOs which are configured as SPI, UART, I2C, I2S, PWM, for different applications and control usage. RAK473 integrates internal 2M SRAM ,and 512KB DRAM and 2MB flash for complete WIFI protocol functions.

2. Features

Application

- UART serial AT command set operation
- Support for multiple baud rate
- Support wireless configuration and OTA upgrade firmware
- Support the UART interface, OTW(over the wire) upgrade function
- Support for fast networking, easyconfig, WPS function
- Support MDNS, MQTT, HTTP, TLS applications
- Support TSL1.2

Standards Supported

- 802.11b/g/n compatible WLAN
- 802.11e QoS Enhancement (WMM)
- 802.11i (WPA, WPA2). Open, shared key, and pair-wise key authentication services
- WIFI WPS support
- Light Weight TCP/IP protocol

WLAN MAC Features

- CMOS MAC, Baseband PHY, and RF in a single chip for 802.11b/g/n compatible WLAN
- Complete 802.11n solution for 2.4GHz band
- 72.2Mbps receive PHY rate and 72.2Mbps transmit PHY rate using 20MHz bandwidth
- 150Mbps receive PHY rate and 150Mbps transmit PHY rate using 40MHz bandwidth
- Backward compatible with 802.11b/g devices while operating in 802.11n mode
- Compatible with 802.11n specification
- Frame aggregation for increased MAC efficiency (A-MSDU, A-MPDU)
- Low latency immediate High-Throughput Block Acknowledgement (HT-BA)
- Long NAV for media reservation with CF-End for NAV release
- PHY-level spoofing to enhance legacy compatibility
- Power saving mechanism

WLAN PHY Feature

- 802.11n OFDM
- One Transmit and one Receive path (1T1R)

20MHz and 40MHz bandwidth transmission

Short Guard Interval (400ns)

DSSS with DBPSK and DQPSK, CCK modulation with long and short preamble

OFDM with BPSK, QPSK, 16QAM, and 64QAM modulation. Convolutional Coding Rate:

1/2, 2/3, 3/4, and 5/6

Maximum data rate 54Mbps in 802.11g and 150Mbps in 802.11n

Fast receiver Automatic Gain Control (AGC)

Peripheral Interfaces

Maximum 2 PCM with 8/16KHz sample rate

Maximum 2 SPI supported with baud rate up to 41.5MHz.

Support 4 PWM with configurable duration and duty cycle from 0 ~ 100%

Support 4 External Timer Trigger Event (ETE function) with configurable period in low power mode

Maximum 20 GPIO pins

A high speed UART interface with baud rate up to 4MHz

RAK WIRELESS

3. System Block Diagram

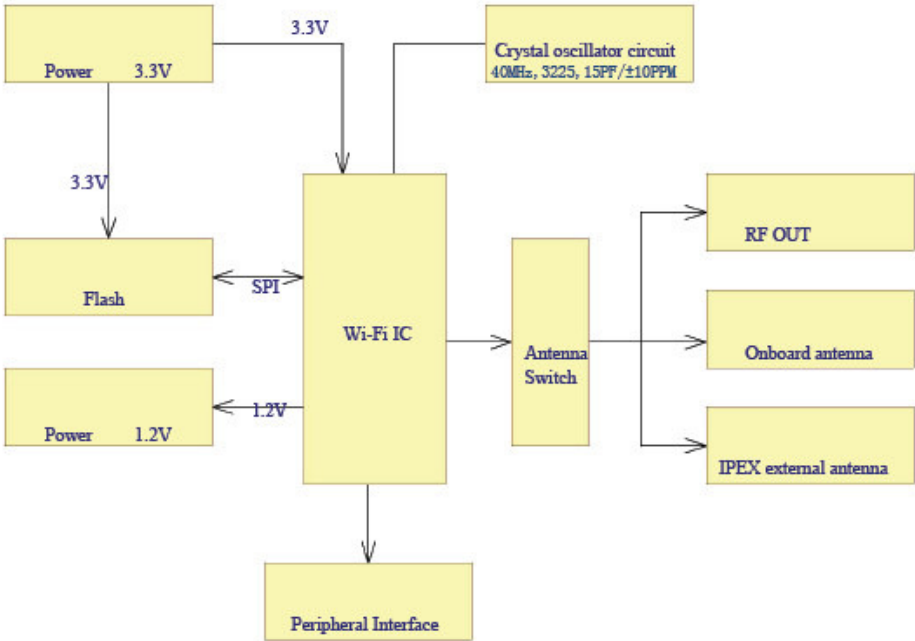


Figure 3-1 RAK473 System Diagram

4. Module Hardware Description

4.1 Module photo



Figure 4-1 RAK473 Top View



Figure 4-2 RAK473 Bottom View

4.2 Package information

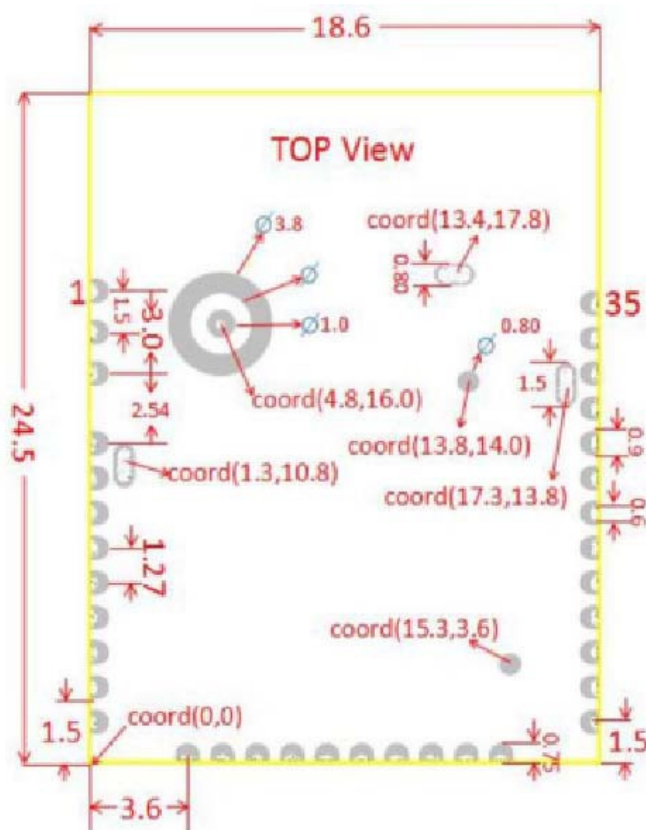


Figure 4-3 Module Pin Size (mm)

4.3 Pin definition

Table 4-1: Pin Definition

Pin Serial No.	Name	Type	Description
1,3,12,13,14,16,20,21,33	GND	Ground	All ground pins are connected to ground pad or the copper.
22	VCC3.3V	Power	3.3V power supply.
2	RF_OUT	O	2.4GHz RF output
4	VDDIO	Power	3.3V for Digital IO or digital blocks
11	RESET	I	Module reset pin, Active low.
17	LINK	O, PU	Work status indicator pin of module, output low effective.
23	TXD	O	Serial data communication interface send
26	RXD	I	Serial flow control pin, ready to receive, Active low.
24	RTS	O	Serial flow control pin, The default output low. Active low, ready to receive data / request the other party to send data.
25	CTS	I	Serial flow control pin, Input pull. Active low, ready to send data/request each other to send data. High level cannot send data, low level can send data.
Others	NC	NC	Remain disconnected when no use

Note:

1. I - input O - output PU – pulling up PD - pulling down NC - not connected
2. Pin in NC, remains disconnected

Link indicator:

OTA upgrade — —50 ms high-speed flashing

EasyConfig, WPS configuration — —200ms fast flash

After the network connection — —On (Output Low)

4.4 Reference design

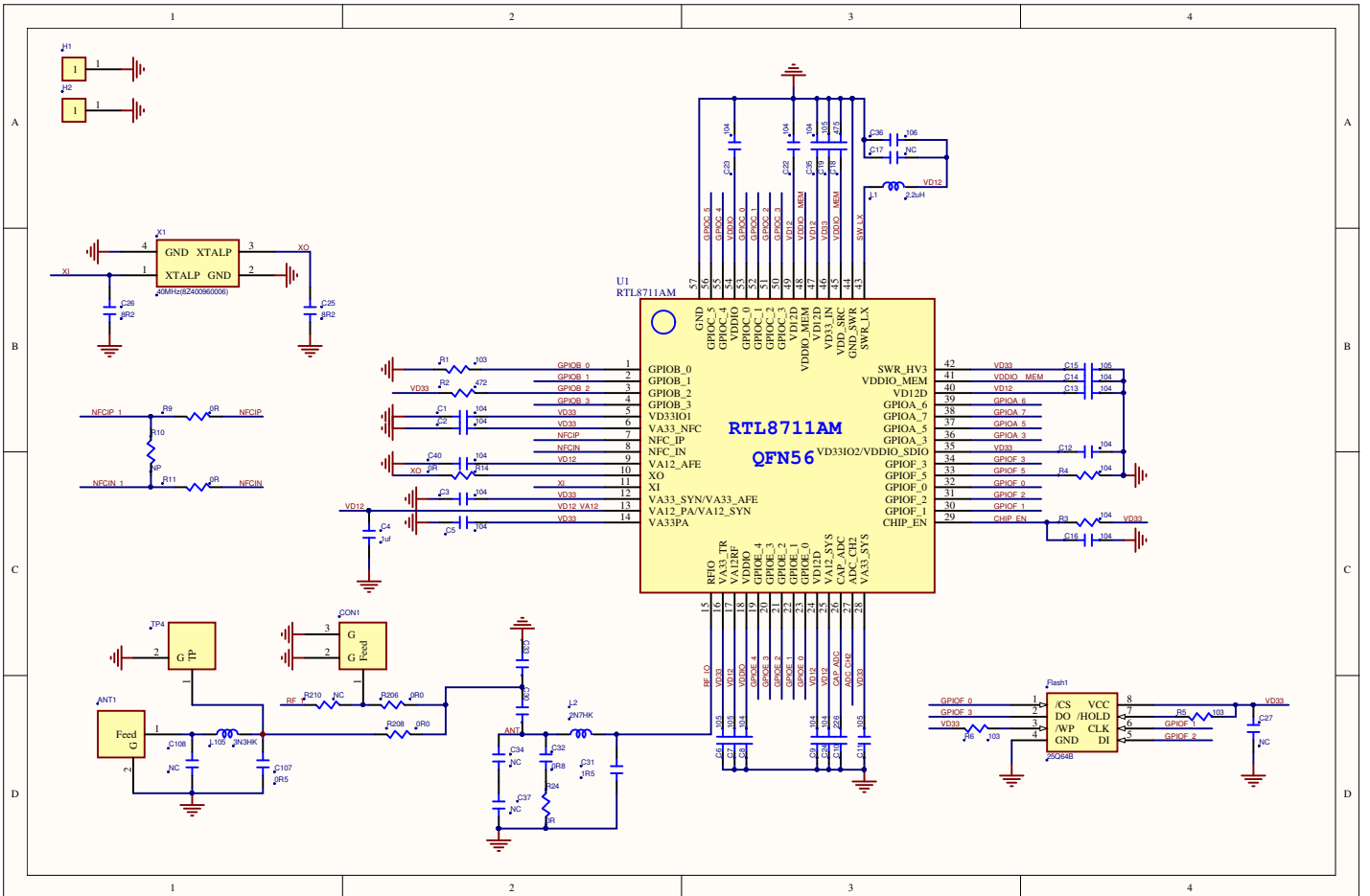
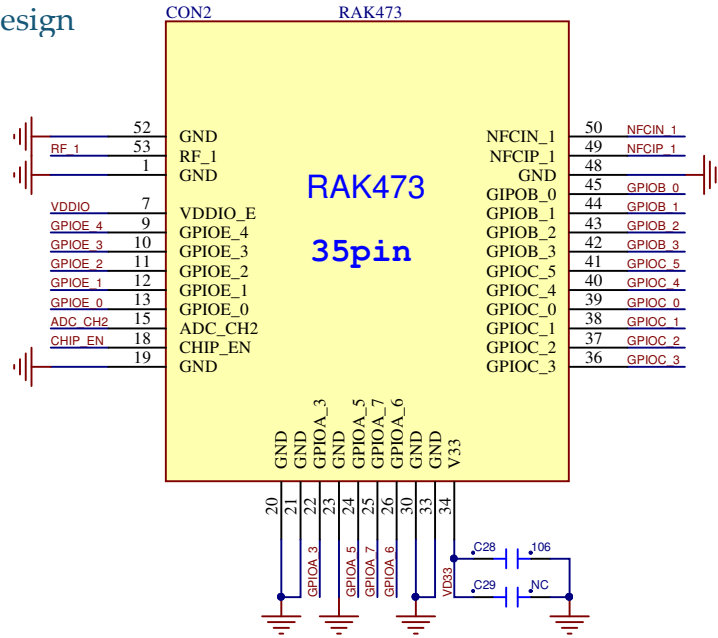


Figure 4-4 Module Typical Design Reference

5. Electrical Specification

5.1 802.11b Mode

ITEMS	CONTENTS
Specification	IEEE802.11b
Mode	DSSS/CCK
Channel	

RAK
WIRES

5.2 802.11g Mode

ITEMS	CONTENTS				
Specification	IEEE802.11g				
Mode	OFDM				
Channel	CH 1to CH13				
Data rate	6,9,12,18,24,36,48,54Mbps				
1.Power Levels (calibrated)					
	Min.	Typ.	Max.	Unit	Note
1)19.5dBmTarget(Foreachantenna Port)	18.10	18.79	19.07	dBm	
2.Constellation error(EVM)@target power					
	Min.	Typ.	Max.	Unit	Note
1)54Mbps	---	-30	-28	dB	
3.Frequency error					
	Min.	Typ.	Max.	Unit	Note
1)54Mbps(PER≤10%)	---	-78	---	dBm	
5.Maximum input level (PER≤10%)					
	Min.	Typ.	Max.	Unit	Note
1)54Mbps(PER≤10%)	---	-10	---	dBm	

5.3 802.11n HT20 Mode

ITEMS	CONTENTS				
Specification	IEEE802.11n HT20@2.4GHz				
Mode	OFDM				
Channel	CH 1to CH13				
Data rate	MCS0/1/2/3/4/5/6/7/8/9/10/11/12/13/14/15				
1.Power Levels					
	Min.	Typ.	Max.	Unit	Note
1)19.5dBmTarget(Foreachantenna Port)	18.21	18.78	19.02	dBm	
2.Constellation error(EVM)@target power					
	Min.	Typ.	Max.	Unit	Note
1)MCS7	---	-30	-28	dB	
3.Frequency error					
	Min.	Typ.	Max.	Unit	Note
1)MCS7	---	-30	-28	dB	

4.Minimum input level sensitivity	Min.	Typ.	Max.	Unit	
1)MCS7(PER≤10%)	---	-76	---	dBm	
5.Maximum input level (PER≤10%)	---	-10	---	dBm	

5.4 802. 11n HT40 Mode

ITEMS	CONTENTS				
Specification	IEEE802.11n HT40@2.4GHz				
Mode	OFDM				
Channel	CH11				
Data rate (MCS index)	MCS0/1/2/3/4/5/6/7/8/9/10/11/12/13/14/15				
1.Power Levels (calibrated)					
	Min.	Typ.	Max.	Unit	Note
1)18.0dBmTarget(Foreachantenna Port)	17.08	17.48	17.69	dBm	
2.Constellation error(EVM)@target power					
	Min.	Typ.	Max.	Unit	Note
1)MCS7		-30	-28	dB	
3.Frequency error					
	-25	0	+25	kHz	
4.Minimum input level sensitivity					
	Min.	Typ.	Max.	Unit	
1)MCS7(PER≤10%)	---	-74	---	dBm	
5.Maximum input level (PER≤10%)					
	---	-10	---	dBm	

6. Order information

6.1 Module size

Packaging: Hard plastic pallets

Weight: ≤ 3 g/pcs

Table 6-2: Thickness (Height)

RAK473	Thickness (Height)
With Shield	3.15 ± 0.15 mm

Note: In considering height design of the product, please consider your motherboard thickness error and product fit gap (recommended 0.10-0.15mm).

7 FCC Caution

Any Changes or modifications not expressly approved by the party responsible for compliance could void the user's authority to operate the equipment.

This device complies with part 15 of the FCC Rules. Operation is subject to the following two conditions:

- (1) This device may not cause harmful interference, and
- (2) This device must accept any interference received, including interference that may cause undesired operation.

Radiation Exposure Statement

This equipment complies with FCC radiation exposure limits set forth for an uncontrolled environment. This equipment should be installed and operated with minimum distance 20cm between the radiator & your body.

This module is intended for OEM integrator. The OEM integrator is still responsible for the FCC compliance requirement of the end product, which integrates this module

The final end product must be labeled in a visible area with the following" Contains FCC ID: 2AF6B-RAK473

8. Contact information

FAE mailbox: Farce.Chen@rakwireless.com

Tel: 8675526506594

Fax: 8675586152201

**Address:Room 406, Tsinghua Harbor, Science and Technology Park, North Buildings,
Nanshan District, Shenzhen,China**

9. Modification records

Edition	Author	Date	Modification content
V1.0	Frank	2015/12/4	Creating document

RAKWIRELESS