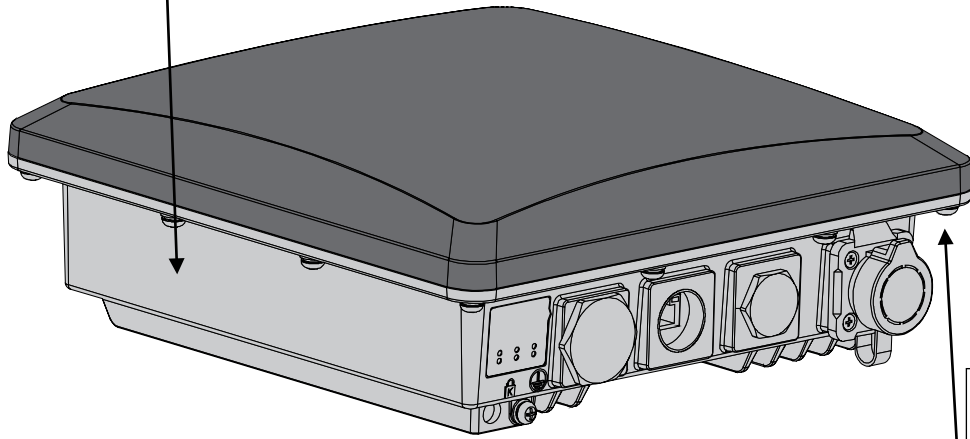


Pasted on to the left side



Pasted on to the right side

Arial Regular 6.8pt

This device complies with part 15 of the FCC rules. Operation is subject to the following two conditions: (1) this device may not cause harmful interference, and (2) this device must accept any interference received, including interference that may cause undesired operation.

23mm