

# User Manual


## PORTABLE SOUND SYSTEM

Model No.: TY-ASC65( 客人型号 )

Model No.: KP686T(本厂型号)



Read this booklet thoroughly before using and save it for future reference

 Unit must be fully charged before use

## FCC STATEMENT

1. This device complies with Part 15 of the FCC Rules. Operation is subject to the following two conditions:

(1) This device may not cause harmful interference, and

(2) This device must accept any interference received, including interference that may cause undesired operation.

2. any Changes or modifications not expressly approved by the party responsible for compliance

could void the user's authority to operate the equipment.

NOTE: This equipment has been tested and found to comply with the limits for a Class B digital device, pursuant to Part 15 of the FCC Rules. These limits are designed to provide reasonable protection against harmful interference in a residential installation.

This equipment generates uses and can radiate radio frequency energy and, if not installed and used in accordance with the instructions, may cause harmful interference to radio communications.

However, there is no guarantee that interference will not occur in a particular installation. If this equipment does cause harmful interference to radio or television reception, which can be determined by turning the equipment off and on, the user is encouraged to try to correct the interference by one or more of the following measures:

Reorient or relocate the receiving antenna.

Increase the separation between the equipment and receiver.

Connect the equipment into an outlet on a circuit different from that to which the receiver is connected.

Consult the dealer or an experienced radio/TV technician for help.

### FCC Radiation Exposure Statement

This equipment complies with FCC radiation exposure limits set forth for an uncontrolled environment. This equipment should be installed and operated with minimum distance 20cm

between the radiator & your body

IC warning

- English:

This device contains licence-exempt transmitter(s)/receiver(s) that comply with Innovation, Science and Economic Development Canada's licence-exempt RSS(s). Operation is subject to the following two conditions:

- (1) This device may not cause interference; and
- (2) This device must accept any interference, including interference that may cause undesired operation of the device.

FCC/ IC Radiation Exposure Statement

This equipment complies with FCC and IC radiation exposure limits set forth for an uncontrolled environment. This equipment should be installed and operated with minimum distance 20cm between the radiator & your body

- French:

Cet appareil contient des émetteurs / récepteurs exemptés de licence conformes aux RSS (RSS) d'Innovation, Sciences et Développement économique Canada. L'exploitation est autorisée aux deux conditions suivantes :

- (1) l'appareil ne doit pas produire de brouillage, et
- (2) l'utilisateur de l'appareil doit accepter tout brouillage radio électrique subi, même si le brouillage est susceptible d'en compromettre le fonctionnement."

FCC/ IC Déclaration d'exposition aux rayonnements

Cet appareil est conforme à FCC et IC l'exposition aux rayonnements limites fixées pour un environnement non contrôlé. Cet appareil doit être installé et utilisé avec une distance minimale de 20 cm entre le radiateur et votre corps. Cet transmetteur ne doit pas être co-situé ou opérant en liaison avec toute autre antenne ou transmetteur.

1. Minimum distances 30cm around the apparatus for sufficient ventilation;
2. The ventilation should not be impeded by covering the ventilation openings with items, such as newspapers, table-cloths, curtains, etc.;
3. No naked flame sources, such as lighted candles, should be placed on the apparatus;
4. Attention should be drawn to the environmental aspects of battery disposal;
5. The use of apparatus in moderate climates.
6. **WARNING** : To reduce the risk of fire or electric shock, do not expose this apparatus to rain or moisture;
7. **CAUTION** : Danger of explosion if battery is incorrectly replaced. Replace only with the same or equivalent type;
8. Batterie shall not be exposed to excessive heat such as sunshine, fire, etc.
9. Where the MAINS plug or an appliance coupler is used as the disconnect device, the disconnect device shall remain readily operable;



The lightning flash with arrowhead symbol, within an equilateral triangle is intended to alert the user to the presence of uninsulated dangerous voltage within the product's enclosure that may be of sufficient magnitude to constitute a risk of electric shock.



The exclamation point within an equilateral triangle is intended to alert the user to the presence of important operating and maintenance (servicing) instructions in the literature accompanying the appliance.



This equipment is a Class II or double insulated electrical appliance. It has been designed in such a way that it does not require a safety connection to electrical earth.

— — — Direct current

~ Alternating current

1. 30cm distance minimale autour de l'appareil pour une aération suffisante;
2. Il convient que l'aération ne soit pas gênée par l'obstruction des ouvertures d'aération par des objets tels que journaux, nappes, rideaux, etc.;
3. Il convient de ne pas placer sur l'appareil de sources de flammes nues, telles que des bougies allumées;
4. Il convient d'attirer l'attention sur les problèmes d'environnement dus à la mise au déchet des piles;
5. Si l'appareil est destiné à être utilisé sous un climat tempéré;
6. ATTENTION : Pour réduire le risque du feu et du choc électrique, ne pas exposer cet appareil aux pluies ou à l'humidité;
7. ATTENTION : Danger d'explosion si la pile n'est pas remplacée correctement. Ne remplacer que par le même type ou un type équivalent;
8. La batterie ne doit pas être exposée à une chaleur excessive telle que le soleil, le feu ou similaire.
9. Lorsque la prise du RÉSEAU D ' ALIMENTATION ou une prise placée sur l'appareil est utilisée comme dispositif de déconnexion, ce dispositif doit demeurer aisément accessible;



Le symbole en forme d'éclair avec une pointe de flèche dans un triangle équilatéral est destiné à alerter l'utilisateur de la présence dans l'appareil d'un voltage non-isolé dangereux pouvant être d'une puissance suffisante pour constituer un risque d'électrocution.



Le point d'exclamation dans un triangle équilatéral est destiné à alerter l'utilisateur de la présence d'instructions d'utilisation et de maintenance (entretien) importantes dans la documentation accompagnant l'appareil.




Ce matériel appartient à la classe II ou un appareil électrique à double isolation. Il a été conçu de telle sorte qu'il ne nécessite pas de connexion de sécurité à la mise à la terre.


 Courant continu

 Courant alternatif

# Important Safety Instructions

1. Read these instructions.
2. Keep these instructions.
3. Heed all warnings.
4. Follow all instructions.
5. Do not use this apparatus near water.
6. Clean only with dry cloth.
7. Do not block any ventilation openings. Install in accordance with the manufacturer's instructions.
8. Do not install near any heat sources such as radiators, heat registers, stoves, or other apparatus (including amplifiers) that produce heat.
9. Do not defeat the safety purpose of the polarized or grounding-type plug. A polarized plug has two blades with one wider than the other. A grounding type plug has two blades and third grounding prong. The wide blade or third prong is provided for your safety. When the provided plug does not fit into your outlet, consult an electrician for replacement of the obsolete outlet.
10. Protect the power cord from being walked on or pinched, particularly at plugs, convenience receptacles, and the point where they exit from the apparatus.
11. Only use attachments/accessories specified by the manufacturer.
12.  Use only with the cart, stand, tripod, bracket, or table specified by the manufacturer, or sold with the apparatus. When a cart is used, use caution when moving the cart/apparatus combination to avoid injury tip-over.
13. Unplug this apparatus during lightning storms or when unused for long periods of time.
14. Refer all servicing to qualified service personnel. Servicing is required when the apparatus has been damaged in any way, such as power-supply cord or plug is damaged, liquid has been spilled or objects have fallen into the apparatus, the apparatus has been exposed to rain or moisture, does not operate normally, or has been dropped.
- 15) Warning to reduce the risk of fire or electric shock, do not expose this apparatus to rain or moisture. Apparatus should not be exposed to dripping or splashing, and objects filled with liquids, such as vases, should not be placed on the apparatus.
- 16) An outside antenna system should not be located in the vicinity of overhead power lines or other electric light or power circuits, or where it can fall into such power lines or circuits. When installing an outside antenna system, extreme care should be taken to keep from touching such power lines or circuits, as contact with them might be fatal.
- 17) Do not overload wall outlets and extension cords, as this can result in a risk of fire or electric shock.
- 18) Do not push objects through any openings in this unit, as they may touch dangerous voltage points or short out parts that could result in fire or electric shock. Never spill or spray any type of liquid into the unit.

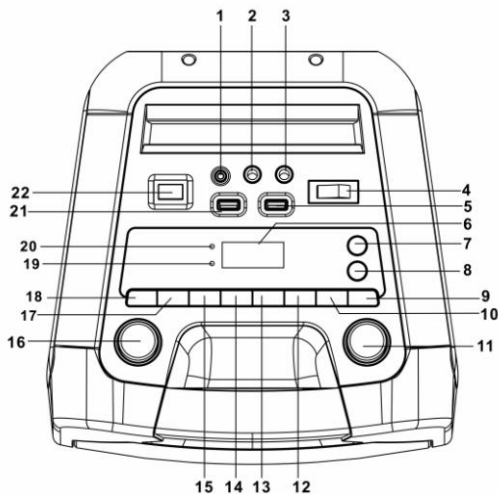
# Instructions de sécurité importantes

1. Lisez ces instructions.
2. Conservez ces instructions.
3. Respectez tous les avertissements.
4. Suivez toutes les instructions.
5. Ne pas utiliser cet appareil à proximité de l'eau.
6. Nettoyez uniquement avec un chiffon sec.
7. Ne jamais boucher les ouvertures de la ventilation. Installez l'unité conformément aux instructions du fabricant.
8. Ne pas installer près d'une source de chaleur telle que des radiateurs, des registres de chaleur, des poêles ou d'autres appareils (y compris des amplificateurs) qui produisent de la chaleur.
9. Ne pas contourner le dispositif de sécurité de la fiche polarisée ou de mise à la terre. Une fiche polarisée a deux lames dont une plus large que l'autre. Une fiche de terre a deux lames et une broche de terre. La lame large ou la troisième broche sont fournies pour votre sécurité. Lorsque la fiche fournie ne s'insère pas dans votre prise, consultez un électricien pour remplacer la prise obsolète.
10. Évitez que le cordon d'alimentation ne soit piétiné ou pincé, en particulier sur les prises, les multiprises et au niveau de la sortie de l'appareil.
11. N'utilisez que des fixations/accessoires indiqués par le fabricant.
12.  Utilisez uniquement avec le chariot, le stand, le trépied, le support ou la table recommandée par le fabricant, ou vendu avec l'appareil. Lorsqu'un chariot est utilisé, faites attention lors du déplacement de la combinaison du chariot/appareil pour éviter de vous blesser en cas de chute.
13. Débranchez cet appareil pendant les orages ou lorsqu'il n'est pas utilisé pendant une longue période.
14. Confiez toute réparation à du personnel qualifié. Une réparation est nécessaire lorsque l'appareil a été endommagé de quelque façon que ce soit, par exemple, si le cordon d'alimentation ou la fiche sont endommagés, du liquide a été renversé ou des objets sont tombés dans l'appareil, l'appareil a été exposé à la pluie ou à l'humidité, s'il ne fonctionne pas normalement, ou s'il est tombé.
15. Avertissement pour réduire le risque d'incendie ou de décharge électrique : ne pas exposer cet appareil à la pluie ou à l'humidité. L'appareil doit être gardé à l'abri des gouttes ou des éclaboussures d'eau ; ne posez jamais un objet contenant de l'eau sur cet appareil, par exemple un vase.
16. Le système d'antenne extérieure ne devrait pas être situé à proximité de lignes électriques aériennes ou d'autres circuits d'éclairage ou d'alimentation électrique, ou à un endroit où il peut tomber sur ces lignes ou circuits électriques. Lors de l'installation d'un système d'antenne extérieure, prenez extrêmement soin de ne pas toucher ces lignes ou circuits électriques, car tout contact peut être fatal.
17. Ne pas surcharger les prises murales et les câbles de rallonge, car cela peut entraîner des risques d'incendie ou d'électrocution.
18. Ne pas introduire d'objets par les ouvertures de cet appareil, car ils pourraient entrer en contact avec des points de tension dangereux ou court-circuiter des pièces qui pourraient provoquer des incendies ou une décharge électrique. Ne jamais verser ou pulvériser de liquide quel qu'il soit sur l'unité.

# Guide to the Appliance

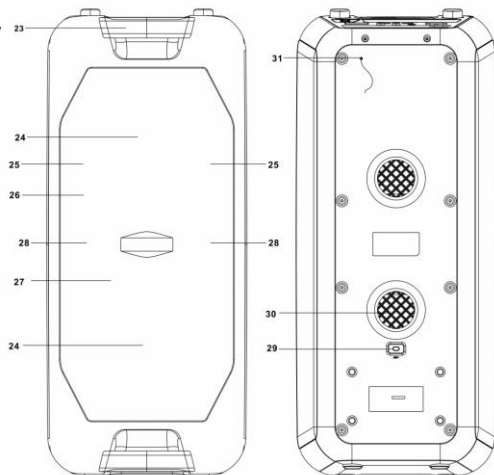
## Top View

1. 3.5mm AUX IN JACK
2. 6.3mm MIC JACK 1
3. 6.3mm MIC JACK 2
4. POWER ON/OFF BUTTON
5. USB CHARGE PORT
6. LCD DISPLAY
7. FUNCTION BUTTON
8. EQ BUTTON
9. LIGHT BUTTON
10. ECHO BUTTON
11. VOLUME CONTROL
12. P-MODE/M. BUTTON
- 13.10/MEM./FOLD.+ BUTTON
14. 10/MEM./FOLD.- BUTTON
15. ►► /TUN.+ BUTTON
16. MIC VOL. CONTROL
17. ◀◀ /TUN.- BUTTON
18. ►| /PAIR/SCAN BUTTON
19. CHARGE INDICATOR
20. PAIR INDICATOR
21. USB PORT
22. SUPER BASS BUTTON



## Front and Back view

23. HANDLE
24. SPEAKERS
25. DECORATION LEDS
26. SPEAKER GRILL
27. DISCO LED LIGHT
28. TWEETERS
29. AC SOCKET
30. VENTILATION HOLES
31. FM ANTENNA





# Getting Started

## POWER SOURCE

This unit works with rechargeable lead-acid battery (the battery capacity 4000mAh). Fully charge the unit (around 7 hours) before using the product for the first time. The playback time has about 2hours after full charging. Unplug the AC Power cord from the AC socket to work on the battery pack after fully charged. Plugging the AC Power cord while the battery pack is attached initiates the charging of this battery, the charge LED indicator lights red during charging, when the battery is fully charged the indicator will turn to green. When the unit is with low battery, the LED indicator will flash in red.

Warning: Do not change the battery, only high-qualified personnel can perform this operation.

## OPERATION INSTRUCTION

### BASIC FUNCTION

#### TURNING THE UNIT ON/OFF

Press the power ON/OFF button to switch the unit on/off.

#### SETTING THE FUNCTION MODE

To change the function modes, press the **FUNCTION** button repeatedly to choose USB/Bluetooth/AUX/Radio function.

#### ADJUSTING THE VOLUME

1. Rotate the **VOLUME** knob on the unit to increase or decrease the music volume.
2. Rotate the **MIC VOL.** knob on the unit to increase or decrease the microphone volume.

#### BASS ADJUSTMENT

Press the **SUPER BASS** button on unit to increase the bass effect.

#### EQUALIZER (EQ) FUNCTION

This unit has a built-in equalizer system, Press the **EQ** button on unit to select a setting that best matches the music style: FLAT, CLASSIC, ROCK, POP and JAZZ.

#### USB CHARGING

This unit provides a 5V 1A USB charging port for charging your smart phone. Connect the USB cable of your smart phone to the USB CHARGE port for charging.

#### MICROPHONE ECHO ADJUSTMENT

Press the **ECHO** button on unit turn on or off the microphone echo effect.

#### FLASHING LIGHT

There are 9 modes for the DISCO LED lighting. Press the **LIGHT** button to choose the light modes. The decoration LED light around the speaker will be always auto-changing between different colors smoothly. To inactivate the light, press the **LIGHT** button until "OFF" showed on the display.

L-1: Blue LED will be on constantly when it is selected.

- L-2: Red LED will be on constantly.
- L-3: Green LED will be on constantly.
- L-4: Purple LED will be on constantly.
- L-5: Light green LED will be on constantly.
- L-6: Light blue LED will be on constantly.
- L-7: White LED will be on constantly.
- L-8: 7 colors LED flash follow the music rhythm.
- L-9: 7 colors auto change smoothly

There is LED lighting around the volume knobs. Press and hold the **LIGHT** button to turn on the light. To inactivate the light, press and hold the **LIGHT** button again.

## RADIO OPERATION

Listen to FM radio broadcasts. Press the **FUNCTION** button on the unit, the display reads FM and the radio frequency.

Note: in order to get the best reception, extend the FM ANT. on the rear of the unit before use to its full length.

### TUNING TO A RADIO STATION

If you know the station frequency that you want to tune to directly:

- Tune to a station by press the ►► /TUN.+ or ◀◀ /TUN.- button repeatedly. The station frequency is shown on the display.

### AUTOMATIC TUNING STOP

Press and hold the ◀◀ /TUN.-BUTTON or ►► /TUN.+ BUTTON to start tuning, Tuning stop automatically when a station is received.

### AUTO PRESET MEMORY / SCAN

To scan for stations within reception range and save them to preset memory automatically, press and hold the ►► /PAIR/SCAN button. After the unit is finished scanning, the unit will automatically tune to preset number 1 (P01). To tune to a preset station:

- To tune to the next preset station, press the **10/MEM./FOLD.+** button.
- To tune to the previous preset, press the **10/MEM./FOLD.-** button.

### MANUAL PRESET MEMORY OPERATION

Choose which stations to save in preset memory instead of scanning automatically.

1. Use the ►► /TUN.+ or ◀◀ /TUN.- button to tune to the station that you want to save as a preset (e.g., 93.1).
2. Press the **P-MODE/M.** button. "P 0 1" will flash on the display to indicate that you are saving the station as Preset Memory 01. (To change the preset memory number, press the **10/MEM./FOLD.+** or **10/MEM./FOLD.-** buttons.)

3. Press the **P-MODE/M.** button to finish saving the station (e.g., P01 is now set to 93.1).
4. To save another station, repeat steps 1 to 3. You may save up to 30 FM stations.

## USB OPERATION

**This unit provides two USB ports for music playback.**

1. Press the **FUNCTION** button on unit to select "USB" mode.
2. Plug the USB memory stick to the USB port on top of the unit(The unit can support up to 32G USB device). Playback will start automatically from Track 1.
3. To pause playback, press the **▶|| /PAIR/SCAN** button on unit. The playing time will flash on the display.
4. To resume playback, press the **▶|| /PAIR/SCAN** button again.
5. To select a desired track, press the **▶▶** or **◀◀** button respectively during playing until the desired track appears on the display. The unit will start play automatically.
6. To search for a particular passage during playback, press and hold the **▶▶** or **◀◀** button to scan the current playing track at high speed until desired point (passage) appears, then release the button for normal playback mode.
7. To select a song which track number exceeds 10,press the **10/MEM./FOLD.+** or **10/MEM./FOLD.-** button each time to skip forward/backward 10 tracks, then press the **▶▶** or **◀◀** button to select desired track.
8. To select a desired folder (if the USB contains more than one folder), press and hold the **10/MEM./FOLD.+** or **10/MEM./FOLD.-**button each time to skip forward/backward a folder, then press the **▶▶** or **◀◀** button to select desired track.

**Important: The USB port is intended for data transfer only, other devices cannot be used with this USB connection. The use of USB extension cords is not recommended. Don't plug the USB from the unit when playing or reading the USB device.**

## REPEAT PLAY

You can play one track or all tracks on the USB repeatedly.

### To Repeat a Single Track

- 1.Press **P-MODE/M.** button on unit during play, the display will show "↺" and the current track will be played over and over again.
- 2.To cancel repeat play, press **P-MODE/M.** button on unit until "↺" disappears from the display.

### To repeat all the Tracks

- 1.Press **P-MODE/M.** button on unit until the "↻" shows steadily on the display, all tracks on the USB will be played over and over again.
- 2.To cancel repeat play, press the **P-MODE/M.** button on unit until "↻" disappears from the display.

### To repeat the folder (only for USB which contains more than one folder)

1. Press the **P-MODE/M.** button on unit until "↻ FOLDER" shows steadily on the display, the current folder will be repeated over and over again.
2. To cancel repeat play, press the **P-MODE/M.** button on unit until "↻ FOLDER" disappears from the display.

## RANDOM PLAY

Press the **P-MODE/M.** button on unit in play mode till the “**RAND**” shows steadily on the display, the random play will start from next track automatically. Press the **P-MODE/M.** button on unit again until the “**RAND**” disappears from the display to cancel.

## BLUETOOTH OPERATION

1. Press the **FUNCTION** button on unit to switch to BLUETOOTH function, the LCD will display “**BT**” and the pair indicator will flash at high speed.
2. Turn on the Bluetooth function on the device, scan the unit “**AWPSL6**” and connect, then input the password 0000 if required, the pair indicator keep light up to indicate connection done, and the display will show “**BT**” steadily. Press Play to start playback.
3. Rotate the **VOLUME** knob on the unit or adjust the volume on the external device to increase or decrease the music volume to your desired level.
4. Press and hold the **PLAY/PAUSE/PAIR/SCAN** button to disconnect Bluetooth.

Note: The Bluetooth works best within 10 meters in open air.

## AUX-IN OPERATION

1. Press the **FUNCTION** button on unit to select the “AUX” mode.
2. Connect your audio device to the AUX IN jack on the top panel of the unit with an AUX IN cable.(audio cable is not included)
3. Rotate the **VOLUME** knob on the unit or adjust the volume on the external device to increase or decrease the music volume to your desired level.
4. Control the playback with your audio device.

## MIC JACK OPERATION

Microphone input is available in all modes.

1. Connect your microphone to the 6.3mm **MIC JACK** found on the top panel of the unit.
2. Rotate the **MIC VOL.** knob on the unit to increase or decrease the microphone volume.
3. Press the **ECHO** Button to turn on or off the echo effect of the microphone.

# Technical Specifications

## GENERAL

Power Requirements	AC100-240V~60/50Hz
Battery type	Built-in rechargeable battery, 4000mAh/12V, lead-acid
Power consumption	38W
Power output	30W X 2
FM frequency	FM 87.5-108 MHz
AUX in jack	3.5mm
Microphone jack	6.3mm
Work temperature	5° C - +35° C

## USB memory section

Playback format	WMA/MP3
Memory	32MB to 32GB

## Bluetooth

Communication system	Bluetooth Standard version 5.0
Reception Range	10 meter (line-of-sight distance)
Compatible Bluetooth profiles	Advanced Audio Distribution Profile (A2DP)

## ACCESSORIES

Instruction Manual x 1pc
AC Cord x 1pc
Microphone x 1pc

**Note:** Specifications are subject to change for continuous improvement without prior notice.