


Instruction Manual

PORTABLE SOUND SYSTEM

Model No.: KP686BT



Read this booklet thoroughly before using and save it for future reference

 Unit must be fully charged before use

Safety information and Warnings

CAUTION

Symbol Definitions

DANGER - Indicates an imminently hazardous situation, which, if not avoided, will result in death or serious injury. This symbol appears only in the most extreme situations.

WARNING - Indicates a potentially hazardous situation which could result in death or serious injury.

CAUTION - Indicates a potentially hazardous situation, which, if not avoided, may result in minor/moderate injury or product/property/damage. It also warns against unsafe practices

The lightning flash with arrowhead symbol, within an equilateral triangle is intended to alert the user to the presence of insulated 'dangerous voltage' within the product's enclosure that may be of sufficient magnitude to constitute a risk of electric shock to persons.



WARNING: TO REDUCE THE RISK OF ELECTRIC SHOCK DO NOT REMOVE COVER (OR BACK), NO USER SERVICEABLE PARTS INSIDE REFER SERVICING TO QUALIFIED SERVICE PERSONNEL

The exclamation point within an equilateral triangle is intended to alert the user to the presence of important operating and maintenance (servicing) instructions in the literature accompanying the appliance.

READ ALL INSTRUCTIONS BEFORE USE



Always follow basic safety precautions when using this Bluetooth speaker system with Microphone, especially when children are present.

SAFETY INSTRUCTIONS

- 1) Read this Instruction Manual before you attempt to connect or operate the appliance.
- 2) Keep these instructions in good condition. Heed all warnings. Follow all instructions.
- 3) Save this Instruction Manual for future reference.
- 4) The apparatus shall not be exposed to dripping or splashing and no objects filled with liquids, such as vases, shall be placed on the product. Dry location use only.
- 5) No naked flame source, such as candles, should be placed on the product.
- 6) Children should be supervised to ensure that they do not play with the appliance.
- 7) Ventilation should not be impeded by covering the ventilation openings.
- 8) Ensure that the unit is plugged into an AC 220-240V 50Hz power outlet. Using higher voltage may cause the unit to malfunction or even fire catching. Turn off the unit before

- unplugging it from power source to completely switch it off.
- 9) Do not plug/ unplug the power plug into/from an electrical outlet with wet hands.
 - 10) If the power plug does not fit into your outlet, do not force the plug into an electrical socket if it does not fit.
 - 11) Use replacement parts, which are specified by the manufacturer.
 - 12) Install the unit in accordance with the manufacturer's instructions.
 - 13) Place the unit where there is good ventilation. Place the system on a flat, hard and stable surface. Do not expose to temperatures above 40°C. Allow at least 30 cm clearance from the rear and the top of the unit and 5 cm from each side.
 - 14) Press the buttons of the unit gently. Pressing them too hard can damage the unit.
 - 15) Dispose of used batteries in an environmental-responsible manner.
 - 16) Always ensure that the product is unplugged from the electrical outlet before moving or cleaning. Clean it with dry cloth only.
 - 17) Unplug the product during lightning, storms or when it will not be used for long periods of time.
 - 18) This product has no user-serviceable parts. Do not attempt to repair this product yourself. Only qualified service personnel should perform servicing. Take the product to the electronics repair shop of your choice for inspection and repair.
 - 19) NEVER let anyone, especially children, push anything into holes, slots or any other openings in the unit's casing as this could result in a fatal electric shock.
 - 20) Don't mount this product on a wall or ceiling.
 - 21) Do not place the unit near TVs, speakers and other objects that generate strong magnetic fields.
 - 22) Do not leave the unit unattended when it is in use.

NOTE: To disconnect the system completely if it not to be used for a long time, remove the AC power plug from the wall outlet.

1. Read these instructions.
2. Keep these instructions.
3. Heed all warnings.
4. Follow all instructions.
5. Do not use this apparatus near water.
6. Clean only with dry cloth.
7. Do not block any ventilation openings. Install in accordance with the manufacture's instructions.
8. Do not install near any heat sources such as radiators, heat registers, stoves, or other apparatus (including amplifiers) that produce heat.
9. Do not defeat the safety purpose of the polarized or grounding-type plug. A polarized plug Has two blades with one wider than the other. A grounding-type plug has two blades and a third grounding prong. The wide blade or the third prong are provided for your safety. If the provided plug does not fit into your outlet. Consult an electrician for replacement of the obsolete outlet.
10. Protect the power cord from being walked on or pinched particularly at the plugs, convenience receptacles, and at the point where it exits from the apparatus.
11. Only use attachments/accessories specified by the manufacturer.
12. Use only with the cart, stand, tripod, bracket, or table specified by the manufacturer, or sold with the apparatus. When a cart is used, use caution



- when moving the cart/apparatus combination to avoid injury from tip-over.
13. Unplug the apparatus during lightening sorts or when unused for long periods of time.
 14. Refer all servicing to qualified personnel. Servicing is required when the apparatus has been damaged in any way, such as power-supply cord or plug is damaged. Liquid has been spilled or objects have fallen into the apparatus, the apparatus has been exposed to rain or moisture does not operate normally, or has been dropped.
 15. This appliance should not be exposed to dripping or splashing water and no objects filled with liquids such as vases should be placed on apparatus.
 16. The AC socket it is used to unplug the unit power cord and it must be easily accessible every time it is necessary.
 17. No flames objects, like candles, must be placed on the unit.
 18. Ventilation warning: The normal ventilation of the product shall not be impeded for intended use. Make sure there is enough space above and besides the holes. Install the unit in a place with suitable ventilation openings (around 7cm) .

FCC Notice:

NOTE: This equipment has been tested and found to comply with the limits for a Class B digital device, pursuant to Part 15 of the FCC Rules. These limits are designed to provide reasonable protection against harmful interference in a residential installation. This equipment generates uses and can radiate radio frequency energy and, if not installed and used in accordance with the instructions, may cause harmful interference to radio communications. However, there is no guarantee that interference will not occur in a particular installation. If this equipment does cause harmful interference to radio or television reception, which can be determined by turning the equipment off and on, the user is encouraged to try to correct the interference by one or more of the following measures:

- Reorient or relocate the receiving antenna.
- Increase the separation between the equipment and receiver.
- Connect the equipment into an outlet on a circuit different from that to which the receiver is connected.
- Consult the dealer or an experienced radio/TV technician for help.

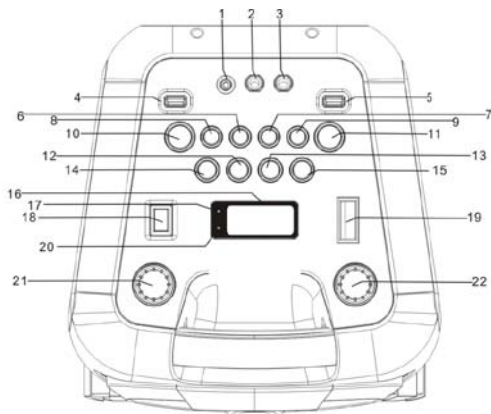
WARNING: Changes or modifications not expressly approved by the party responsible for compliance could void the user's authority to operate the equipment.

This equipment complied with FCC radiation exposure limits set forth for an uncontrolled environment. This equipment should be installed and operated with minimum distance 20cm between the radiator & your body.

Guide to the Appliance

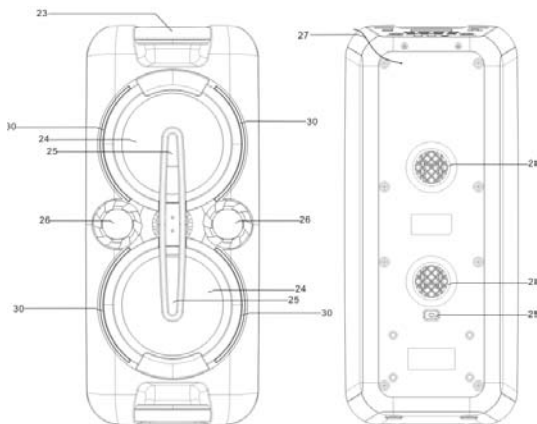
Top View

1. 3.5mm AUX IN JACK
2. 6.3mm MIC JACK 1
3. 6.3mm MIC JACK 2
4. USB PORT 1
5. USB PORT 2
6. 10/M./FOLD.+ BUTTON
7. LIGHT BUTTON
8. 10/M./FOLD.- BUTTON
9. ECHO BUTTON
10. EQ BUTTON
11. FUNCTION/ BUTTON
12. ◀/TUN.- BUTTON
13. ▶/TUN.+ BUTTON
14. P-MODE/M. BUTTON
15. ▶|/PAIR/SCAN BUTTON
16. LCD DISPLAY
17. PAIR INDICATOR
18. SUPER BASS BUTTON
19. POWER ON/OFF BUTTON
20. CHARGE INDICATOR
21. MIC VOL. CONTROL
22. VOLUME CONTROL



Front and Back view

23. HANDLE
24. SPEAKERS
25. DISCO LED LIGHT
26. TWEETERS
27. FM ANTENNA
28. VENTILATION HOLES
29. AC SOCKET
30. DECORATION LEDS



Getting Started

POWER SOURCE

This unit works with rechargeable lead-acid battery (the battery capacity 4000mAh). Fully charge the unit (around 7 hours) before using the product for the first time. The playback time has about 2hours after full charging. Unplug the AC Power cord from the AC socket to work on the battery pack after fully charged. Plugging the AC Power cord while the battery pack is attached initiates the charging of this battery, the charge LED indicator lights red during charging, when the battery is fully charged the indicator will turn to green. When the unit is with low battery, the LED indicator will flash in red.

Warning: Do not change the battery, only high-qualified personnel can perform this operation.

OPERATION INSTRUCTION

BASIC FUNCTION

TURNING THE UNIT ON/OFF

Press the power ON/OFF button to switch the unit on/off.

SETTING THE FUNCTION MODE

To change the function modes, press the **FUNCTION** button repeatedly to choose USB1/USB2/BLUETOOTH/AUX/RADIO function.

ADJUSTING THE VOLUME

1. Rotate the **VOLUME** knob on the unit to increase or decrease the music volume.
2. Rotate the **MIC VOL.** knob on the unit to increase or decrease the microphone volume.

BASS ADJUSTMENT

Press the **SUPER BASS** button on unit to increase the bass effect.

EQUALIZER (EQ) FUNCTION

This unit has a built-in equalizer system, Press the **EQ** button on unit to select a setting that best matches the music style: FLAT, CLASSIC, ROCK, POP and JAZZ.

MICROPHONE ECHO ADJUSTMENT

Press the **ECHO** button on unit turn on or off the microphone echo effect.

FLASHING LIGHT

There are 8 modes for the DISCO LED lighting. Press the **LIGHT** button to choose the light modes.

L-1: By default mode, blue LED will be on constantly when it is selected.

L-2: Red LED will be on constantly.

L-3: Green LED will be on constantly.

L-4: Purple LED will be on constantly.

L-5: Yellow LED will be on constantly.

L-6: Light Blue LED will be on constantly.

L-7: White LED will be on constantly.

L-8: 7 colors LED will be on flashing mode.

There are 3 modes for the decoration LED lighting around the speakers. Press and hold the **LIGHT** button to choose the light modes.

E-1: By default mode, blue LED will be on constantly when it is selected.

E-2: Red LED will be on constantly.

E-3: Blue and red LED flashing alternatively.

RADIO OPERATION

Listen to FM radio broadcasts. Press the **FUNCTION** button on the unit, the display reads FM and the radio frequency.

Note: in order to get the best reception, extend the FM ANT. on the rear of the unit before use to its full length.

TUNING TO A RADIO STATION

If you know the station frequency that you want to tune to directly:

- Tune to a station by press the **▶▶/TUN.+** or **◀◀/TUN.-** button repeatedly. The station frequency is shown on the display.

To tune to a preset station:

- To tune to the next preset station, press the **10/M./FOLD.+** button.
- To tune to the previous preset, press the **10/M./FOLD.-** button.

AUTO PRESET MEMORY / SCAN

To scan for stations within reception range and save them to preset memory automatically, press and hold the **PLAY/PAUSE/PAIR/SCAN** button. After the unit is finished scanning, the unit will automatically tune to preset number 1 (P01).

MANUAL PRESET MEMORY OPERATION

Choose which stations to save in preset memory instead of scanning automatically.

1. Use the **▶▶/TUN.+** or **◀◀/TUN.-** button to tune to the station that you want to save as a preset (e.g., 93.1).
2. Press the **P-MODE/M.** button. "**P01**" will flash on the display to indicate that you are saving the station as Preset Memory 01. (To change the preset memory number, press the **10/M./FOLD.+** or **10/M./FOLD.-** buttons.)
3. Press the **P-MODE/M.** button to finish saving the station (e.g., P01 is now set to 93.1).
4. To save another station, repeat steps 1 to 3. You may save up to 30 FM stations.

USB OPERATION

This unit provides two USB ports for music playback.

1. Press the **FUNCTION** button on unit to select "USB1" or "USB2" mode.
2. Plug the USB memory stick to the USB port on top of the unit (The unit can support up to 32G USB device). Playback will start automatically from Track 1.
3. To pause playback, press the **PLAY/PAUSE/PAIR/SCAN** button on unit. The playing time will flash on the display.
4. To resume playback, press the **PLAY/PAUSE/PAIR/SCAN** button again.

5. To select a desired track, press the **▶▶** or **◀◀** button respectively during playing until the desired track appears on the display. The unit will start play automatically.
6. To search for a particular passage during playback, press and hold the **▶▶** or **◀◀** button to scan the current playing track at high speed until desired point (passage) appears, then release the button for normal playback mode.
7. To select a song which track number exceeds 10, press the **10/M./FOLD.+** or **10/M./FOLD.-** button each time to skip forward/backward 10 tracks, then press the **▶▶** or **◀◀** button to select desired track.
8. To select a desired folder (if the USB contains more than one folder), press and hold the **10/M./FOLD.+** or **10/M./FOLD.-** button each time to skip forward/backward a folder, then press the **▶▶** or **◀◀** button to select desired track.

Important: The USB port is intended for data transfer only, other devices cannot be used with this USB connection. The use of USB extension cords is not recommended. Don't plug the USB from the unit when playing or reading the USB device.

REPEAT PLAY

You can play one track or all tracks on the USB repeatedly.

To Repeat a Single Track

1. Press **P-MODE/M.** button on unit during play, the display will show "↶" and the current track will be played over and over again.
2. To cancel repeat play, press **P-MODE/M.** button on unit until "↶" disappears from the display.

To repeat all the Tracks

1. Press **P-MODE/M.** button on unit until the "↶" shows steadily on the display, all tracks on the USB will be played over and over again.
2. To cancel repeat play, press the **P-MODE/M.** button on unit until "↶" disappears from the display.

To repeat the folder (only for USB which contains more than one folder)

1. Press the **P-MODE/M.** button on unit until "FOLDER" shows steadily on the display, the current folder will be repeated over and over again.
2. To cancel repeat play, press the **P-MODE/M.** button on unit until "FOLDER" disappears from the display.

RANDOM PLAY

Press the **P-MODE/M.** button on unit in play mode till the "RAND" shows steadily on the display, the random play will start from next track automatically. Press the **P-MODE/M.** button on unit again until the "RAND" disappears from the display to cancel.

BLUETOOTH OPERATION

1. Press the **FUNCTION** button on unit to switch to BLUETOOTH function, the LCD will display "BT" and the pair indicator will flash at high speed.
2. Turn on the Bluetooth function on the device, scan the unit "BLT-21" and connect, then input the password 0000 if required, the pair indicator keep light up to indicate connection done, and the display will show "BT". Press Play to start playback.
3. Rotate the **VOLUME** knob on the unit or adjust the volume on the external device to

increase or decrease the music volume to your desired level.

4. Press and hold the **PLAY/PAUSE/PAIR/SCAN** button to disconnect Bluetooth.

Note: The Bluetooth works best within 10 meters in open air.

AUX-IN OPERATION

1. Press the **FUNCTION** button on unit to select the "AUX" mode.
2. Connect your audio device to the AUX IN jack on the top panel of the unit with an AUX IN cable.(audio cable is not included)
3. Rotate the **VOLUME** knob on the unit or adjust the volume on the external device to increase or decrease the music volume to your desired level.
4. Control the playback with your audio device.

MIC JACK OPERATION

Microphone input is available in all modes.

1. Connect your microphone to the 6.3mm **MIC JACK** found on the top panel of the unit.
2. Rotate the **MIC VOL.** knob on the unit to increase or decrease the microphone volume.
3. Press the **ECHO** Button to turn on or off the echo effect of the microphone.

Technical Specifications

GENERAL

Power Requirements	AC100-240V~60/50Hz
Power consumption	33W
Power output	30W X 2
FM frequency	FM 87.5-108mHz
AUX in jack	3.5mm
Microphone jack	6.3mm
Work temperature	5° C - +35° C

Bluetooth

Communication system	Bluetooth Standard version 2.1+EDR
Reception Range	10 meter (line-of-sight distance)
Compatible Bluetooth profiles	Advanced Audio Distribution Profile (A2DP)

ACCESSORIES

Instruction Manual x 1pc
AC Cord x 1pc

Note: Specifications are subject to change for continuous improvement without prior notice.