

8

7

6

5

4

3

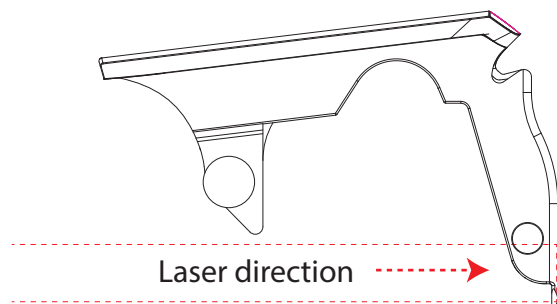
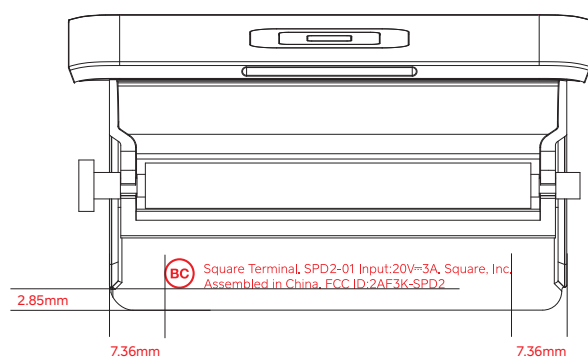
2

1

NOTES: (UNLESS OTHERWISE SPECIFIED)

1. DRAWING FOR LOCATION AND TEXT REFERENCE ONLY. USE SUPPLIED ARTWORK FILE FOR LASER ETCHING.

| REVISIONS |                 |            |          |
|-----------|-----------------|------------|----------|
| REV.      | DESCRIPTION     | DATE       | APPROVED |
| A1        | INITIAL DRAWING | 04/20/2020 |          |



BC Square Terminal, SPD2-01 Input:20V=3A, Square, Inc. Assembled in China, FCC ID:2AF3K-SPD2



### Agency marks - US :


Surface Treatment & Material:

Laser

Color:

Light grey, close to Pantone 427 U,

Per Square approved sample

|   |              |   |                           |                 |
|---|--------------|---|---------------------------|-----------------|
| UNLESS OTHERWISE SPECIFIED:<br>DIMENSIONS ARE IN MILLIMETERS.<br>TOLERANCES:<br>X.X ±0.2<br>X.XX ±0.10<br>X.XXX ±0.050<br>ANGLES ±0.5 |              |  <b>SQUARE</b><br>1455 MARKET STREET, STE 600<br>SAN FRANCISCO, CA 94103<br>www.square.com | TITLE:<br>Artwork, T2b US |                 |
| INTERPRET GEOMETRIC TOLERANCING PER: ASME Y14.5M-1994   |              |   | PROJECT:<br>T2b US        |                 |
| MATERIAL:<br>SEE NOTES  | NAME         | DATE  | CAD MODEL:                |                 |
| FINISH:<br>SEE NOTES  | DRAWN BY:    |   | SIZE                      | PART NO.:       |
|   | CHECKED BY:  |   | <b>B</b>                  | D-ART-0125      |
|   | APPROVED BY: |   | SCALE: 1:1                | REVISION:<br>A1 |
|   |              |   | DO NOT SCALE DRAWING      | SHEET 1 OF 1    |

8

7

6

5

4

3

2

1