

To talk with our support team, go to Support in your Square Terminal or squareup.com/go/terminal-help

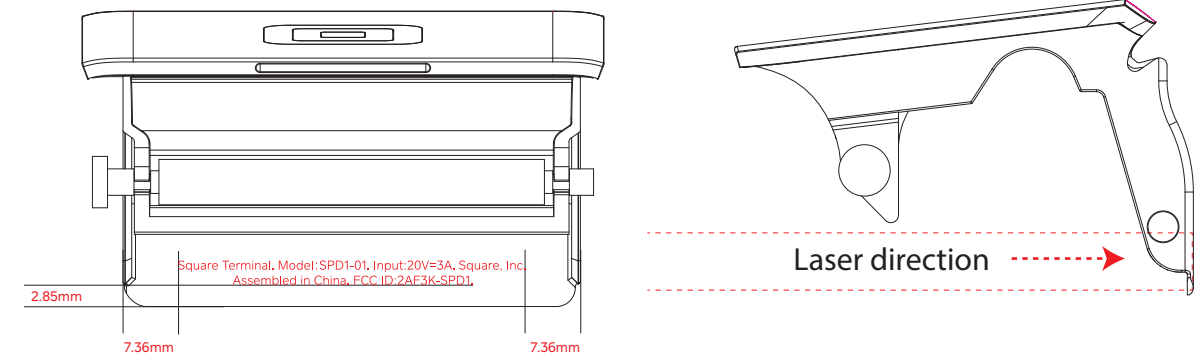
1. Support info :

Surface Treatment & Material:

Laser

Color:

Light grey, close to Pantone 427 U, Per Square approved sample



Square Terminal, Model:SPD1-01, Input:20V=3A, Square, Inc. Assembled in China, FCC ID:2AF3K-SPD1.

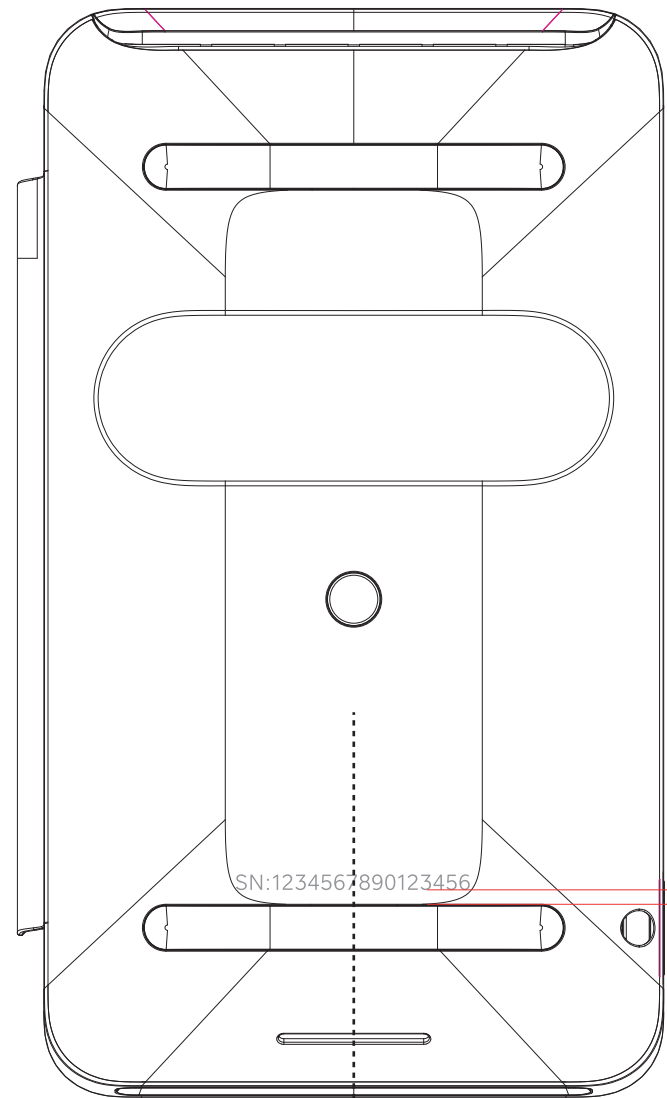
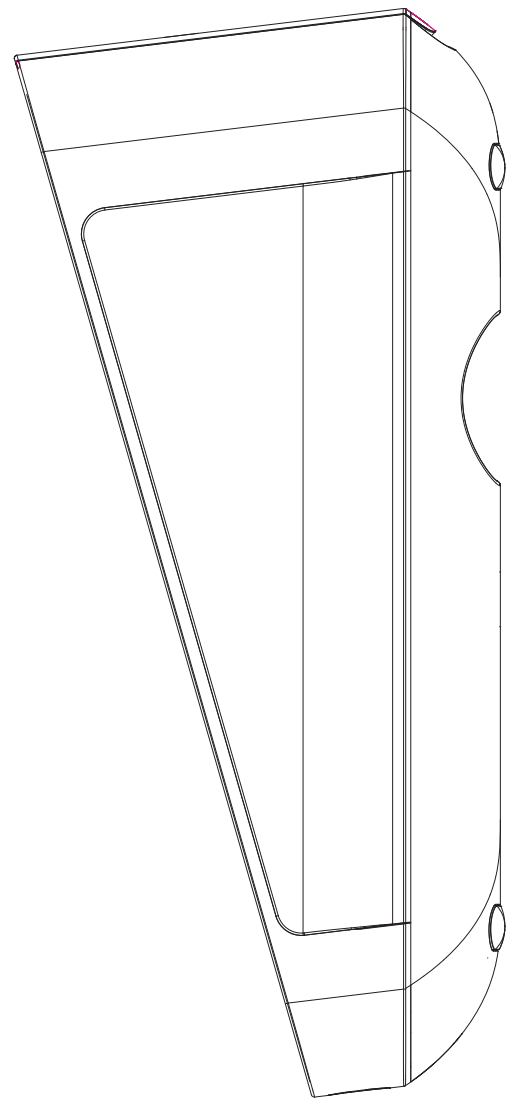
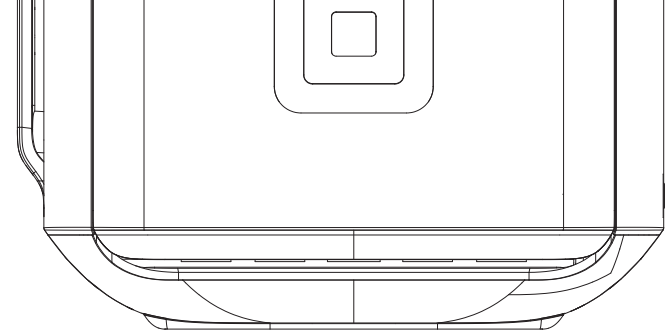
2. Agency marks :

Surface Treatment & Material:

Laser

Color:

Light grey, close to Pantone 427 U, Per Square approved sample

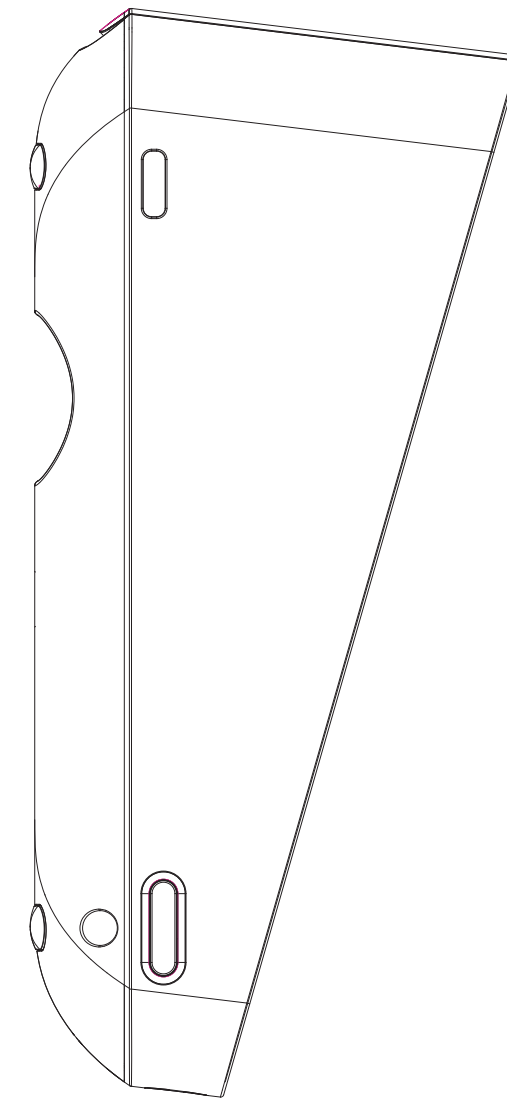


SN:1234567890123456

1.9mm

centered on part

SN:1234567890123456



1. Serial Number :

Surface Treatment & Material:

Vector file SN:1234567890123456 Square Font : Square Market Light

Laser

Color:

Dark grey , close to Pantone 427U,Per
Square approved sample

90mm

60mm

Includes one of each: Square Terminal, accessory hub, power adapter cable, and receipt paper. For use only in the U.S. with a valid U.S. bank account. Not for resale. For warranty and legal terms, visit square.com/warranty.

Assembled in China.

© 2018 Square, Inc., 1455 Market St., Ste. 600, San Francisco, CA 94103. Square, the Square logo, and Square Terminal are trademarks of Square, Inc. Apple Pay is a registered trademark of Apple, Inc. Other marks and brands are the property of their respective owners.



Includes one of each: Square Terminal, accessory hub, power adapter cable, and receipt paper. For use only in the U.S. with a valid U.S. bank account. Not for resale. For warranty and legal terms, visit **square.com/warranty**.

Assembled in China.

© 2018 Square, Inc., 1455 Market St., Ste. 600, San Francisco, CA 94103. Square, the Square logo, and Square Terminal are trademarks of Square, Inc. Apple Pay is a registered trademark of Apple, Inc. Other marks and brands are the property of their respective owners.

