

445.50 mm

## HelloBaby®

HB178  
Digital Audio Baby Monitor

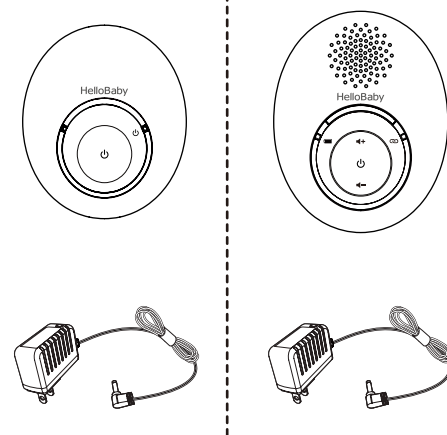
### Users manual



www.hellobaby.net.cn

service@hellobaby.net.cn

#### What's in the box



Thank you for purchasing the HelloBaby audio baby monitor. HelloBaby is the best device ever for monitoring your baby at all time. You can hear your baby in another room.

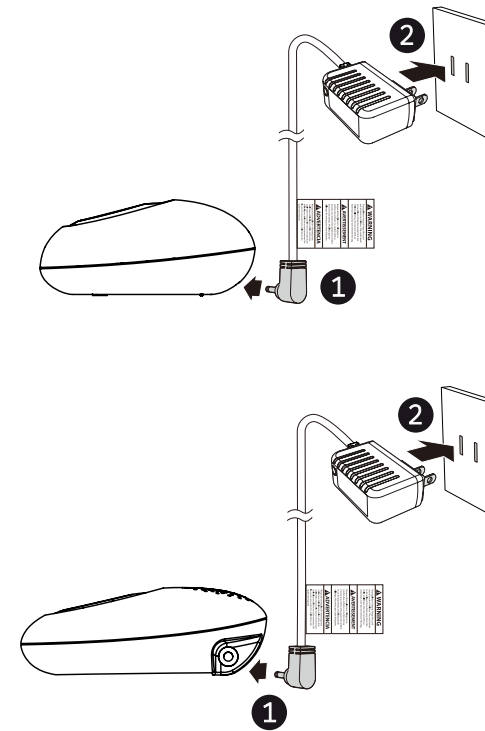
If you have any questions or concerns, please feel free to email us at service@hellobaby.net.cn.

Please retain your original purchase receipt for record purpose. For warranty service of your HelloBaby product, you will need to provide a copy of your original purchase receipt to confirm warranty status. Registration is not required for warranty coverage. Please read the safety instructions carefully.

#### Connect

This is an AC powered audio baby monitor. Connect the baby monitor to a non-switched electric outlet to power on.

- NOTES**
- Use only the power adapters supplied with this product.
  - Connect the power adapters in a vertical or floor mount position only. The adapters' prongs are not designed to hold the weight of baby monitor, so do not connect them to any ceiling, under-the-table, or cabinet outlets. Otherwise, the adapters may not properly connect to the outlets.
  - Make sure the parent unit, the baby unit and the power adapter cords are out of reach of children.



#### NOTES

- Make sure the **POWER / LINK** light is on after the power plug is fully inserted into the power jack of the parent unit.
- Make sure the **POWER** light is on after the power plug is fully inserted into the power jack of the baby unit.
- Make sure the baby unit is on. If the parent unit is not linked to the baby unit, the **POWER / LINK** light on the parent unit will flash. Move the parent unit closer to the baby unit (but not less than 3 feet / 1 meter).

#### Before use

#### NOTE

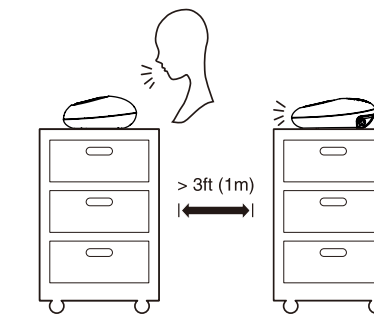
- This baby monitor is intended as an aid. It is not a substitute for proper adult supervision, and should not be used as such.

#### Test your baby monitor

You may test the baby monitor before initial use, and at regular times thereafter.

#### CAUTION

- For hearing protection, make sure the parent unit is more than 3 feet (1 meter) away from the baby unit. If you hear any high-pitched noise, move the parent unit further until the noise stops. You can also press **▼** on the parent unit to lower or mute the noise.



- Make sure your baby unit and parent unit are on.
- Speak towards the microphone of the baby unit. You will hear the sound at the parent unit, and see the visual sound indicators light up.

#### NOTE

- When the **POWER/LINK** LED light flashes, move the parent unit closer to the baby unit (observe the minimum distance of 3 feet / 1 meter). You can also check if the baby monitor is connected to a live power socket and switched on.

#### TIP

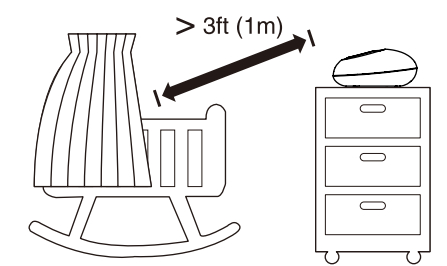
- Increase the speaker volume of the parent unit if you cannot hear the sounds transmitted from the baby unit.

#### Positioning the baby monitor

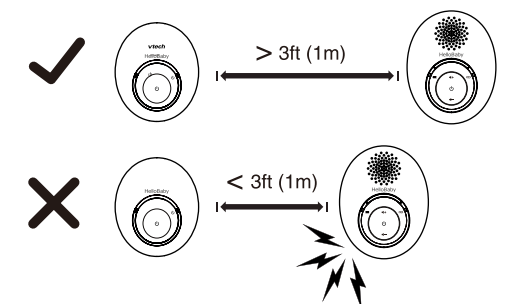
#### CAUTION

- Keep the baby unit out of the reach of your baby. Never place or mount the baby unit inside the baby's crib or playpen.

- Place the baby unit more than 3 feet (1 meter) away from your baby.



- Place the parent unit more than 3 feet (1 meter) away from the baby unit.



#### CAUTION

- Default volume of your parent unit is **Level 2**, and the maximum volume is **Level 3**. If you experience high-pitched screaming noise from your baby monitor while positioning:
  - Make sure your baby unit and parent unit are more than 3 feet (1 meter) apart, OR
  - Turn down the volume of your parent unit.

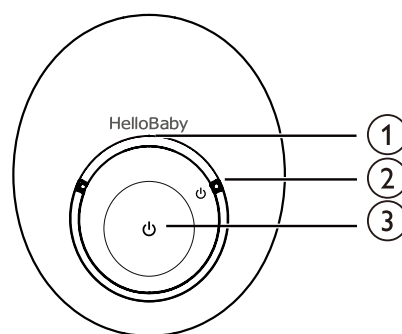
Page 1

#### Operating range

The operating range of the baby monitor is up to 1,000 feet (300 meters) outdoors or 160 feet (50 meters) indoors. The actual operating range may vary depending on the environmental conditions and other interferences such as walls, doors and other obstructions.

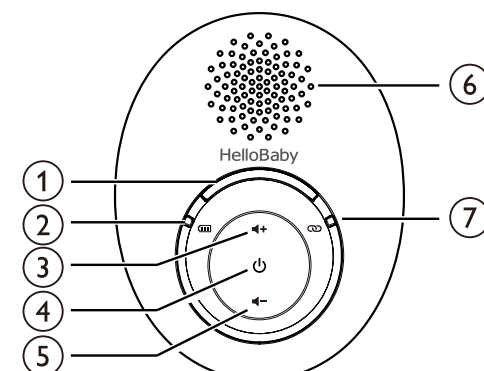
#### Overview

##### Baby unit overview



1	<b>POWER light</b>
2	<b>(On/off)</b> • Press and hold to turn on or off the baby unit.
3	<b>Microphone</b>

##### Parent unit overview



1	<b>Visual sound indicator</b> • Indicate the sound level detected by the baby unit or show the volume level during speaker volume setting.
2	<b>LOW BATTERY light</b>
3	<b>(Volume up)</b>
4	<b>(On/off)</b> • Press and hold to turn on or off the parent unit.
5	<b>(Volume down)</b>
6	<b>Speaker</b>
7	<b>POWER / LINK light</b>

##### Baby unit light

<b>POWER light</b>	• On when the baby unit is turned on.
--------------------	---------------------------------------

##### Parent unit lights

<b>Visual sound indicator</b>	The visual sound indicator has two functions. One is to show the sound level detected by the baby unit. The other one is to show the volume level during speaker volume setting.
<b>POWER / LINK light</b>	• Lights on steadily in green when the parent unit is on and linked to the baby unit. • Flashes in green when there is no link between the baby unit and parent unit, or when the parent unit is out of range from the baby unit.
<b>LOW BATTERY light</b>	• Flashes in green when the battery is low.

##### Parent unit alert tones

<b>Low battery tone</b>	• Beeps twice every 10 minutes when the battery is low.
<b>Out of range tone</b>	• Beeps three times every 30 seconds when there is no link between the baby unit and parent unit, or when the parent unit is out of range from the baby unit.

#### Using the baby monitor

##### Power on or off the baby unit

- Press and hold **(On/off)** until the **POWER** light turns on.
- Press and hold **(On/off)** again until the **POWER** light turns off.

##### Power on or off the parent unit

- Press and hold **(On/off)** until the **POWER / LINK** light turns on.
- Press and hold **(On/off)** again until the **POWER / LINK** light turns off.

##### Adjust speaker volume

The speaker volume is preset to **Level 2** on the parent unit. You can adjust to your preferred sound level.

- Press **▼** to decrease the volume, and **▲** to increase the volume.

#### NOTE

- If you continue to press **▼** or **▲** when the volume reaches the minimum or maximum setting, the parent unit will beep twice.

##### To mute the speaker volume:

- Press **▼** repeatedly until the volume reaches the minimum.

#### NOTE

- When the parent unit is in mute, the visual sound indicator will still indicate the sound detected from the baby unit.

- To end mute, press **▲** repeatedly until it reaches your desired volume.

#### Install batteries for backup use (optional)

This is an AC powered baby monitor. If you want to move around the house with the parent unit for a few minutes, you can install two AAA alkaline batteries for backup use. Re-connect the baby monitor to a non-switched electric outlet once you are settled down.

#### NOTES

- Use 2 x AAA batteries (not included). Alkaline batteries are recommended. If you use other kind of batteries, the performance of the baby monitor varies.
- NO BATTERY RECHARGING** from the parent unit.
- Do not mix old and new batteries. Do not mix alkaline, standard (Carbon-Zinc) or rechargeable (Ni-Cad, Ni-Mh, etc) batteries.
- While you insert the batteries, make sure the polarities are correct.
- When the batteries are installed, the parent unit turns on.
- Replace the batteries when the **LOW BATTERY** light flashes on the parent unit, or you hear two beeps every 10 minutes.

Install the batteries as shown below.

- Slide open the battery compartment cover.
- Insert two AAA **alkaline** batteries into the battery compartment on top of the ribbon.
- Slide the battery compartment cover until it clicks into place.

#### Replace the battery

To replace the batteries, slide open the battery compartment cover, and then take out the batteries. Follow the previous steps to install the new batteries.

Page 2

Page 3

420.00 mm



## General product care

To keep this product working well and looking good, follow these guidelines:

- Avoid putting it near heating appliances and devices that generate electrical noise (for example, motors or fluorescent lamps).
- DO NOT expose it to direct sunlight or moisture.
- Avoid dropping the product or treating it roughly.
- Clean with a soft cloth.
- DO NOT immerse the parent unit and the baby unit in water and do not clean them under the tap.
- DO NOT use cleaning spray or liquid cleaners.
- Make sure the baby unit and parent unit are dry before you connect them to the mains again.

## Storage

When you are not going to use the baby monitor for some time, remove the batteries from the parent unit. Store the parent unit, the baby unit and the adapters in a cool and dry place.

## Operating range

This product operates with the maximum power allowed by the Federal Communications Commission (FCC). Even so, the baby unit and the parent unit can communicate over only a certain distance - which can vary with the locations of the baby unit, the parent unit, the weather, and the layout of your home. When the parent unit is out of range, it will beep three times every 30 seconds and enter searching mode. To improve reception, move closer to the baby unit (but not less than 3 feet / 1 meter).

## Frequently asked questions

Below are the questions most frequently asked about the baby monitor.

Why doesn't the <b>POWER</b> light on the baby unit turn on when I switch on the units?	Perhaps the baby unit is not connected to the power supply. Connect the baby unit to power supply. The baby unit turns on.
Why doesn't the <b>POWER</b> / <b>LINK</b> light on the parent unit turn on when I switch on the units?	Perhaps the battery of the parent unit is empty and the parent unit is not connected to power supply. Connect the parent unit to power supply; or insert two new AAA alkaline batteries into the parent unit. The parent unit turns on and establishes connection with the baby unit.
Why does the baby monitor not respond normally?	Try the following (in the order listed) for common cure: 1. Make sure that both baby unit and parent unit are on. Disconnect the power from the baby unit and the parent unit. 2. Remove the batteries from the parent unit. 3. Connect the baby unit to the power supply again. The baby unit turns on. 4. Connect the parent unit to the power supply again; or insert two new AAA alkaline batteries. The parent unit turns on. 5. Wait for the parent unit to synchronize with the baby unit. Allow up to one minute for this to take place. 6. Press <b>▼</b> or <b>▲</b> to adjust the speaker volume on the parent unit.
Why does the baby monitor produce a high-pitched noise?	The units may be too close to each other. Make sure the parent unit and the baby unit at least 1 meter / 3 feet away from each other.

Page 4

Why don't I hear a sound/ Why can't I hear my baby cry?	Make sure that both baby unit and parent unit are on. If you see the visual sound indicators light up, but there is no sound, then you may have muted the volume or set it to a lower level. Adjust the volume to a higher level.  If the visual sound indicators do not light up, and you cannot hear any sound, it is because the baby sound is too low for the baby unit to detect. This is normal. Place the baby unit at least 3 feet / 1 meter away from your baby.
Why does the parent unit beep?	The parent unit beeps three times every 30 seconds when the baby unit is out of range. Move the parent unit closer to the baby unit (but not less than 3 feet / 1 meter).  If the parent unit is powered by batteries, the parent unit beeps twice every 10 minutes and the <b>LOW BATTERY</b> light flashes in red when the battery is low. Replace with two new AAA alkaline batteries.
Why does the parent unit <b>LOW BATTERY</b> light flash?	If the parent unit is powered by batteries, the parent unit beeps twice every 10 minutes and the <b>LOW BATTERY</b> light flashes in red when the battery is low. Replace with two new AAA alkaline batteries, or remove the batteries, and connect the parent unit to the power supply.
Why can't I establish a connection? Why is the connection lost every now and then? Why are there sound interruptions?	The baby unit may be out of range. Move the parent unit closer to the baby unit (but not less than 3 feet / 1 meter).  Other electronic products may cause interference with your baby monitor. Try installing your baby monitor as far away from these electronic devices as possible.
How come the battery backup power depleted so quickly?	Alkaline batteries are recommended. If you use other kind of batteries, the performance of the baby monitor varies.  This is an AC powered baby monitor. The two AAA alkaline batteries are for backup power use, and there is no battery recharging from the parent unit.  Do not mix old and new batteries. Do not mix alkaline, standard (Carbon-Zinc) or rechargeable (Ni-Cad, Ni-Mh, etc) batteries.

## Important safety instructions

When using your equipment, basic safety precautions should always be followed to reduce the risk of fire, electric shock and injury, including the following:

1. Follow all warnings and instructions marked on the product.
2. Adult setup is required.
3. This product is intended as an aid. It is not a substitute for responsible and proper adult supervision and should not be used as such.
4. This product is not intended for use as a medical monitor.
5. Do not use this product near water. For example, do not use it next to a bath tub, wash bowl, kitchen sink, laundry tub or swimming pool, or in a wet basement or shower.
6. **CAUTION:** Use only alkaline batteries (not included). There may be a risk of explosion if a wrong type of battery is used for the parent unit. Do not dispose of batteries in a fire. They may explode. Check with local codes for possible special disposal instructions.
7. Use only the adapters included with this product. Incorrect adapter polarity or voltage can seriously damage the product.  
Baby unit power adapter:  
Input: 100-120V AC 60Hz Output: 6V DC 400mA  
Parent unit power adapter:  
Input: 100-120V AC 60Hz Output: 6V DC 400mA
8. The power adapters are intended to be correctly oriented in a vertical or floor mount position. The prongs are not designed to hold the plug in place if it is plugged into a ceiling, under-the-table or cabinet outlet.
9. Unplug this product from the wall outlet before cleaning. Do not use liquid or aerosol cleaners. Use a damp cloth for cleaning.
10. Unplug the power cords before replacing batteries.
11. Do not cut off the power adapters to replace them with other plugs, as this causes a hazardous situation.
12. Do not allow anything to rest on the power cords. Do not install this product where the cords may be walked on or crimped.
13. This product should be operated only from the type of power source indicated on the marking label. If you are not sure of the type of power supply in your home, consult your dealer or local power company.
14. Do not overload wall outlets or use an extension cord.
15. Do not place this product on an unstable table, shelf, stand or other unstable surfaces.
16. This product should not be placed in any area where proper ventilation is not provided. Slots and openings in the back or bottom of this product are provided for ventilation. To protect them from overheating, these openings must not be blocked by placing the product on a soft surface such as a bed, sofa or rug. This product

should never be placed near or over a radiator or heat register.

17. Never push objects of any kind into this product through the slots because they may touch dangerous voltage points or create a short circuit. Never spill liquid of any kind on the product.
18. To prevent fire or shock hazard, do not expose this product to water or any type of moisture.
19. To reduce the risk of electric shock, do not disassemble this product, but take it to an authorized service facility. Opening or removing parts of the product other than specified access doors may expose you to dangerous voltages or other risks. Incorrect reassembling can cause electric shock when the product is subsequently used.
20. You should test the sound reception every time you turn on the units or move one of the components.
21. Periodically examine all components for damage.
22. Be aware of possible loss of privacy while using public airwaves. Conversations may be picked up by other nursery monitors, cordless phones, scanners, etc.
23. Children should be supervised to ensure that they do not play with the product.
24. The product is not intended for use by persons (including children) with reduced physical, sensory or mental capabilities, or lack of experience and knowledge, unless they have been given supervision or instruction concerning use of the appliance by a person responsible for their safety.

## SAVE THESE INSTRUCTIONS

### Cautions

1. Use and store the product at a temperature between 32°F and 104°F.
2. Do not expose the product to extreme cold, heat or direct sunlight. Do not put the product close to a heating source.
3. Batteries should not be exposed to excessive heat such as bright sunshine or fire.
4. Make sure the baby unit and the adapter cord are always out of reach of the baby, at least 3 feet (1 meter) away from the baby or crib, to avoid a possible strangulation hazard.
5. Never place the baby unit(s) inside the baby's crib or playpen. Never cover the baby unit(s) or parent unit with anything such as a towel or a blanket.
6. Never cover the baby unit or parent unit(s) with anything such as a towel or a blanket.

7. Other electronic products may cause interference with your baby monitor. Try installing your baby monitor as far away from these electronic devices as possible: wireless routers, radios, cellular telephones, intercoms, room monitors, televisions, personal computers, kitchen appliances and cordless telephones.

## Precautions for users of implanted cardiac pacemakers

Cardiac pacemakers (applies only to digital cordless devices):

Wireless Technology Research, LLC (WTR), an independent research entity, led a multidisciplinary evaluation of the interference between portable wireless devices and implanted cardiac pacemakers. Supported by the U.S. Food and Drug Administration, WTR recommends to physicians that:

### Pacemaker patients

- Should keep wireless devices at least six inches from the pacemaker.
- Should NOT place wireless devices directly over the pacemaker, such as in a breast pocket, when it is turned ON.

WTR's evaluation did not identify any risk to bystanders with pacemakers from other persons using wireless devices.

### Electromagnetic fields (EMF)

This VTech product complies with all standards regarding electromagnetic fields (EMF). If handled properly and according to the instructions in this user's manual, the product is safe to be used based on scientific evidence available today.

## FCC and IC regulations

### FCC Part 15

This equipment has been tested and found to comply with the requirements for a Class B digital device under Part 15 of the Federal Communications Commission (FCC) rules. These requirements are intended to provide reasonable protection against harmful interference in a residential installation. This equipment generates, uses and can radiate radio frequency energy and, if not installed and used in accordance with the instructions, may cause harmful interference to radio communications. However, there is no guarantee that interference will not occur in a particular installation. If this equipment does cause harmful interference to radio or television reception, which can be determined by turning the equipment off and on, the user is encouraged to try to correct the interference by one or more of the following measures:

- Reorient or relocate the receiving antenna.
- Increase the separation between the equipment and receiver.
- Connect the equipment into an outlet on a circuit different from that to which the receiver is connected.
- Consult the dealer or an experienced radio/TV technician for help.

Changes or modifications to this equipment not expressly approved by the party responsible for compliance could void the users authority to operate the equipment.

This device complies with Part 15 of the FCC rules. Operation is subject to the following two conditions: (1) this device may not cause harmful interference, and (2) this device must accept any interference received, including interference that may cause undesired operation.

To ensure safety of users, the FCC has established criteria for the amount of radio frequency energy that can be safely absorbed by a user or bystander according to the intended usage of the product. This product has been tested and found to comply with the FCC criteria. The baby unit shall be installed and used such that parts of all persons body are maintained at a distance of approximately 20 cm (8 inches) or more.

This Class B digital apparatus complies with Canadian requirement:  
CAN ICES-3 (B)/NMB-3(B)

For body worn operation, this parent unit has been tested and meets the FCC RF exposure guidelines when used with the accessories supplied or designated for this product. Use of other accessories may not ensure compliance with FCC RF exposure guidelines.

## Industry Canada

This device complies with Industry Canada licence-exempt RSS standard(s).

Operation is subject to the following two conditions: (1) this device may not cause harmful interference received, and (2) this device must accept any interference received, including interference that may cause undesired operation.

Privacy of communications may not be ensured when using this product.

The term IC: before the certification/registration number only signifies that the Industry Canada technical specifications were met.

This product meets the applicable Industry Canada technical specifications.

### RF radiation exposure statement

The baby unit complies with FCC RF radiation exposure limits set forth for an uncontrolled environment. The baby unit should be installed and operated with a minimum distance of 20 cm (8 inches) between the baby unit and all persons body. Use of other accessories may not ensure compliance with FCC RF exposure guidelines. This transmitter must not be co-located or operating in conjunction with any other antenna or transmitter. This equipment complies also with Industry Canada RSS-102 with respect to Canadas Health Code 6 for Exposure of Humans to RF Fields.

## Technical specifications

Frequency control	Crystal controlled PLL synthesizer control
Transmit frequency	Baby unit: 1921.536 - 1928.448 MHz Parent unit: 1921.536 - 1928.448 MHz
Channels	5
Nominal effective range	Maximum power allowed by FCC and IC. Actual operating range may vary according to environmental conditions at the time of use.
Power requirements	Baby unit adapter: Input: 100 - 240VAC 50/60Hz 150mA Output: 6VDC 450mA Parent unit adapter: Input: 100 - 240VAC 50/60Hz 150mA Output: 6VDC 450mA Parent unit battery: 2 X AAA alkaline batteries  For pluggable equipment, the socket-outlet (power adaptor) shall be installed near the equipment and shall be easily accessible.

Page 6

Page 7

