

4

3

2

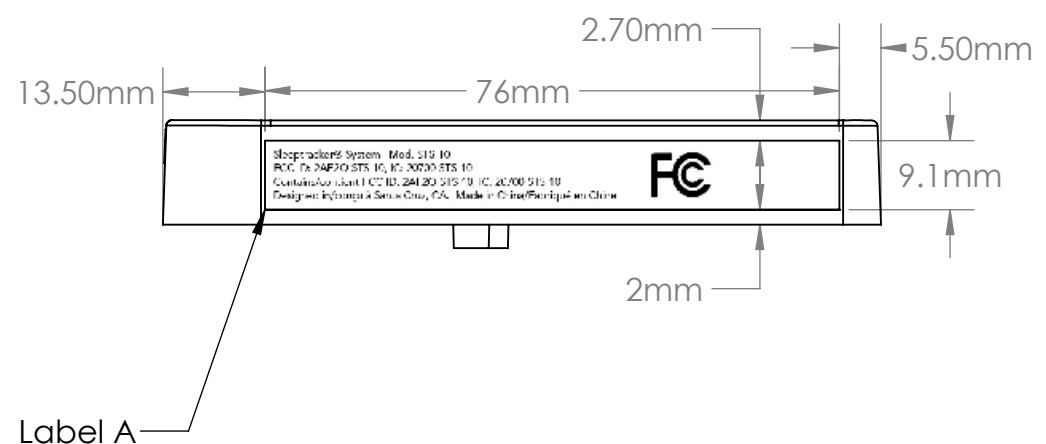
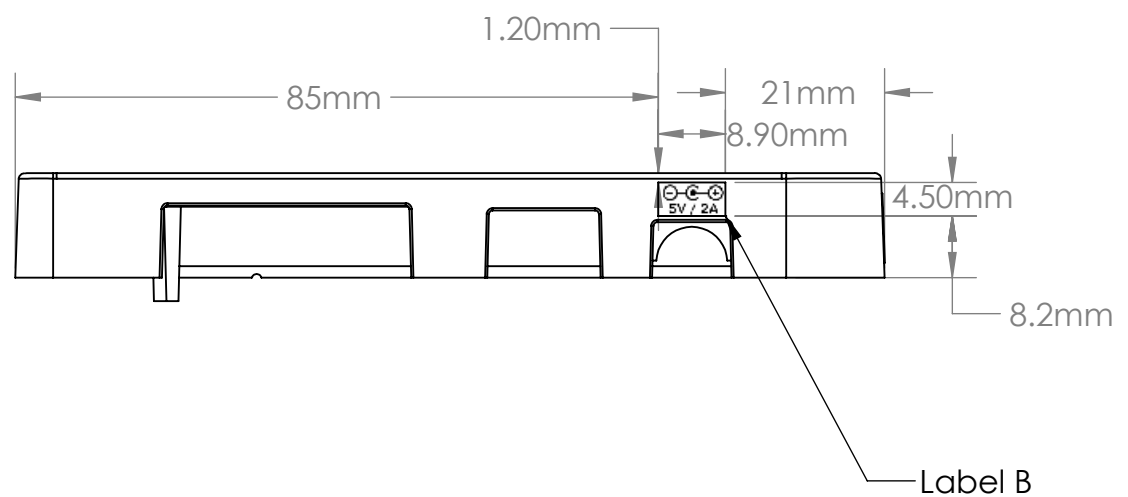
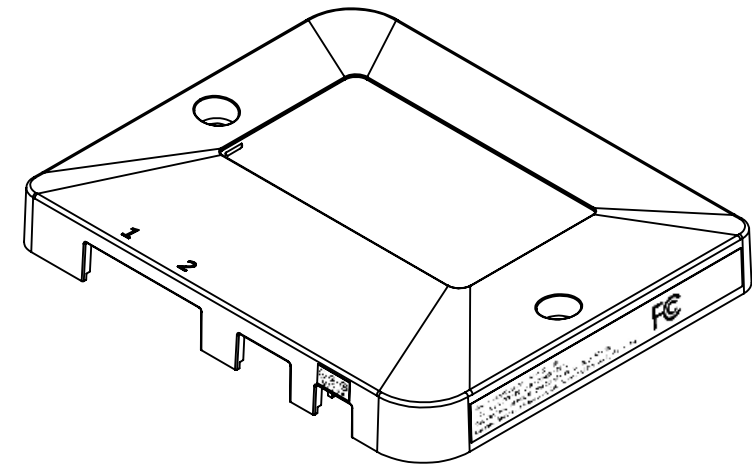
1

LABEL A: REGULATORY MARKS

LABEL B: POWER INPUT

PAD PRINTING COLOR IS PANTONE 429C  
ALL FONT IS AVENIR MEDIUM 6PT  
ALL TOLERANCES ARE +/- 0.15MM

REVISION 2:  
MODIFIED REGULATORY MARKS LABEL  
REMOVED WIFI ALLIANCE LOGO



PROPRIETARY AND CONFIDENTIAL  
THE INFORMATION CONTAINED IN THIS  
DRAWING IS THE SOLE PROPERTY OF  
FULLPOWER TECHNOLOGIES. ANY  
REPRODUCTION IN PART OR AS A WHOLE  
WITHOUT THE WRITTEN PERMISSION OF  
FULLPOWER TECHNOLOGIES IS  
PROHIBITED.

		UNLESS OTHERWISE SPECIFIED:	NAME	DATE	FULLPOWER TECHNOLOGIES	
		DIMENSIONS ARE IN MILLIMETERS	DRAWN	B.E.M.	11/03/15	TITLE: <b>LABELS, PROCESSOR ENCLOSURE</b>
		TOLERANCES:	CHECKED			
		FRACTIONAL ±	ENG APPR.			
		ANGULAR: MACH ± BEND ±	MFG APPR.			
		TWO PLACE DECIMAL ±	Q.A.			SIZE DWG. NO. REV
		THREE PLACE DECIMAL ±	COMMENTS:			<b>B</b> <b>2</b>
NEXT ASSY	USED ON	MATERIAL SEE NOTES				SCALE: 1:1 WEIGHT: SHEET 1 OF 2
APPLICATION		FINISH SEE NOTES				
		DO NOT SCALE DRAWING				

4

3

2

1

B

B

A

A

4

3

2

1

LABEL A: REGULATORY MARKS

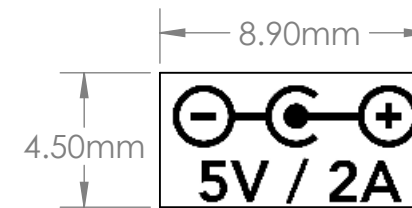
LABEL B: POWER INPUT

PAD PRINTING COLOR IS PANTONE 429C  
ALL FONT IS AVENIR MEDIUM 6PT  
ALL TOLERANCES ARE +/- 0.15MM

REVISION 2:  
MODIFIED REGULATORY MARKS LABEL  
REMOVED WIFI ALLIANCE LOGO



Label A



Label B

PROPRIETARY AND CONFIDENTIAL  
THE INFORMATION CONTAINED IN THIS  
DRAWING IS THE SOLE PROPERTY OF  
FULLPOWER TECHNOLOGIES. ANY  
REPRODUCTION IN PART OR AS A WHOLE  
WITHOUT THE WRITTEN PERMISSION OF  
FULLPOWER TECHNOLOGIES IS  
PROHIBITED.

		UNLESS OTHERWISE SPECIFIED:	NAME	DATE	FULLPOWER TECHNOLOGIES	
		DIMENSIONS ARE IN MILLIMETERS	DRAWN	B.E.M.	11/03/15	TITLE: <b>LABELS, PROCESSOR ENCLOSURE</b>
		TOLERANCES: FRACTIONAL ± ANGULAR: MACH ± BEND ± TWO PLACE DECIMAL ± THREE PLACE DECIMAL ±	CHECKED			
		INTERPRET GEOMETRIC TOLERANCING PER:	ENG APPR.			
		MATERIAL	MFG APPR.			
NEXT ASSY	USED ON	FINISH	Q.A.	COMMENTS:		SIZE <b>B</b>
APPLICATION		DO NOT SCALE DRAWING				DWG. NO.
						REV <b>2</b>
						SCALE: 1:1 WEIGHT:
						SHEET 2 OF 2

4

3

2

1

B

B

A

A