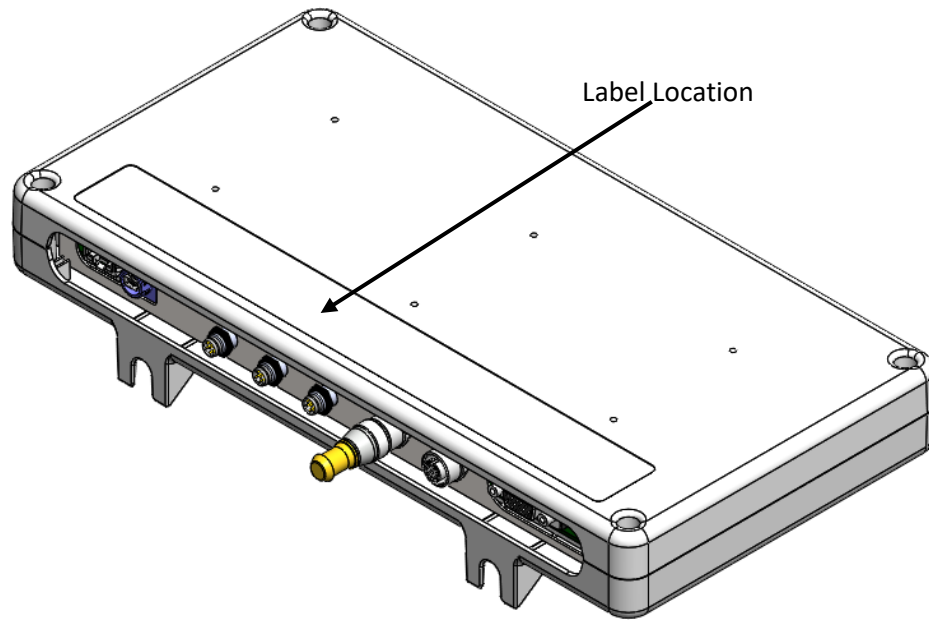


## Label and Label Location

1. Material:  
SUBSTRATE: 7730FL Clear Polyester  
OVERLAMINATE: 7730FL Clear Polyester  
ADHESIVE
2. Label will last the lifetime of the product.



Figure 1 - Label



*Figure 2 - Label Location on enclosure*