

## Wireless Remote Control Instructions

X-power wireless remote works lets you operate your winch from up to 75 ft. without cables or switches. Just press the remote transmitter and you're ready to operate your winch Start, stop, in or out.

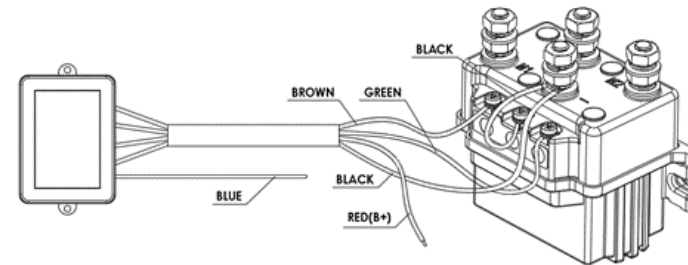
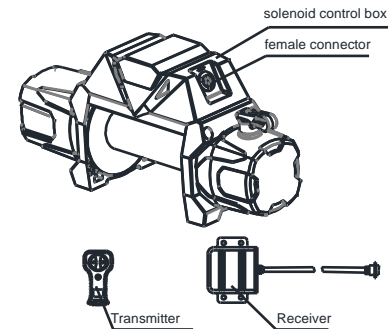
- ◆ Remote range up to 75 ft.
- ◆ Transmitter equipped with long life.
- ◆ Battery and power saver circuit.
- ◆ Transmitter & receiver.
- ◆ Visual indicator light shows remote operation.
- ◆ Additional transmitters available to operate receiver.
- ◆ Installs in minutes.
- ◆ Transmitter replacement battery readily available.

**WARNING:** The Wireless Remote is designed for use on front mount self-recovery winches only. The remote is not designed for and should not be used on winches or hoists in industrial applications (commercial car haulers/carriers, wreckers, cranes, etc.) or for any other remote controlled applications.

### Part List:

1. one transmitter.
2. one receiver with connector.

### Installation and operating instructions:



We suggest operate your winch as follows:

1. Disengage the clutch of your winch.
2. Pull out the winch wire rope about 1.5 meters.
3. Reengage the clutch of your winch.
4. Insert the plug of the receiver into the winches control box female connector
5. Put your receiver at a certain place.
6. Pull out the antenna of transmitter, and move down the cover of your transmitter, bare out the control button.

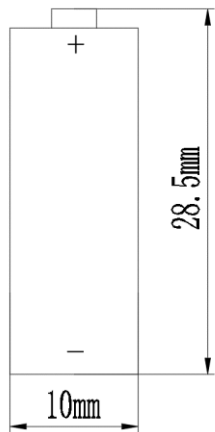
**Trouble Solving:**

**Battery replacement for transmitter:**

Battery parameters: 12V23A battery capacity: 50mAh

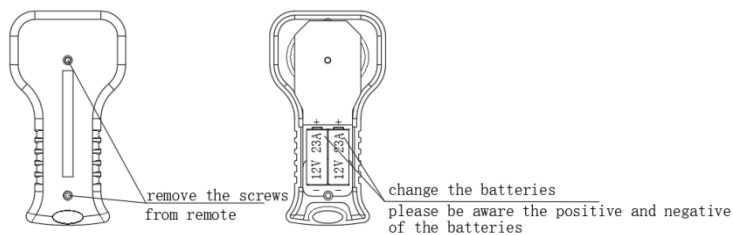
Battery quantity: 2 battery type: MN21

Battery sizes as below:



Way to replace battery:

- A、 Remove the screw from remote as below image;
- B、 Take out old batteries inside;
- C install the new batteries inside;



SYMPTOM	POSSIBLE CAUSE	SUGGESTED ACTION
Motor turns, but Winch does not work,	Defective winch.	Check the winch Operating instructions.
Motor does not turn, but you can hear "Click" sound in the receiver	Receiver Loose connections to the winch.	Reinsert the wire.
	Defective winch.	Check the winch Operating instructions.
Motor runs in one direction only	Receiver Loose connections to the winch.	Reinsert the wire.
	Defective winch.	Check the winch Operating instructions.
No actions	Receiver and transmitter does not matching.	return to the manufacture to rematch.

**Remark:**

Please be aware the positive and negative of the battery

## **Federal Communications Commission (FCC) Interference Statement**

This equipment has been tested and found to comply with the limits for a Class B digital device, pursuant to part 15 of the FCC Rules. These limits are designed to provide reasonable protection against harmful interference in a residential installation. This equipment generates, uses and can radiate radio frequency energy and, if not installed and used in accordance with the instructions, may cause harmful interference to radio communications. However, there is no guarantee that interference will not occur in a particular installation. If this equipment does cause harmful interference to radio or television reception, which can be determined by turning the equipment off and on, the user is encouraged to try to correct the interference by one or more of the following measures:

- Reorient or relocate the receiving antenna.
- Increase the separation between the equipment and receiver.
- Connect the equipment into an outlet on a circuit different from that to which the receiver is connected.
- Consult the dealer or an experienced radio/ TV technician for help.

This device complies with part 15 of the FCC Rules. Operation is subject to the following two conditions:

- 1) This device may not cause harmful interference.
- 2) This device must accept any interference received, including interference that may cause undesired operation.

Any changes or modifications not expressly approved by the party responsible for compliance could void the user's authority to operate the equipment.

This equipment complies with FCC RF radiation exposure limits set forth for an uncontrolled environment. This device and its antenna must not be

co-located or operating in conjunction with any other antenna or transmitter.