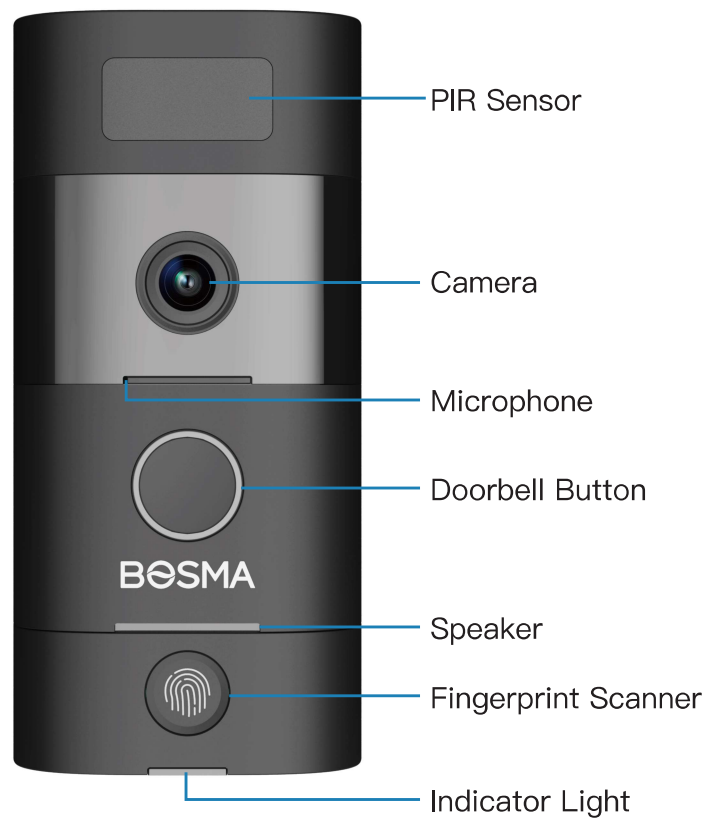


BOSMA

SENTRY

installation instruction





Screw Driver



Drill



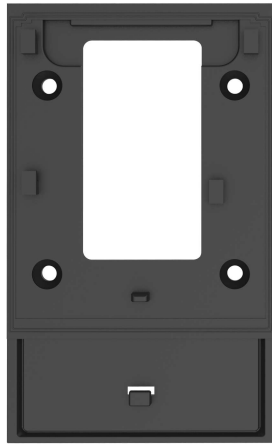
Tamperproof Screw



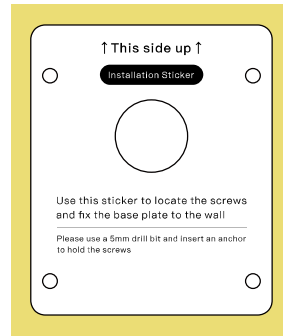
Anchors



Screws

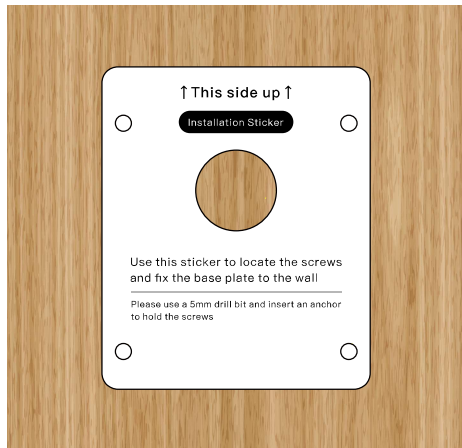


Base Plate

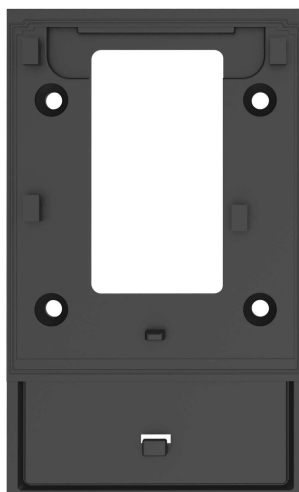


Installation Sticker

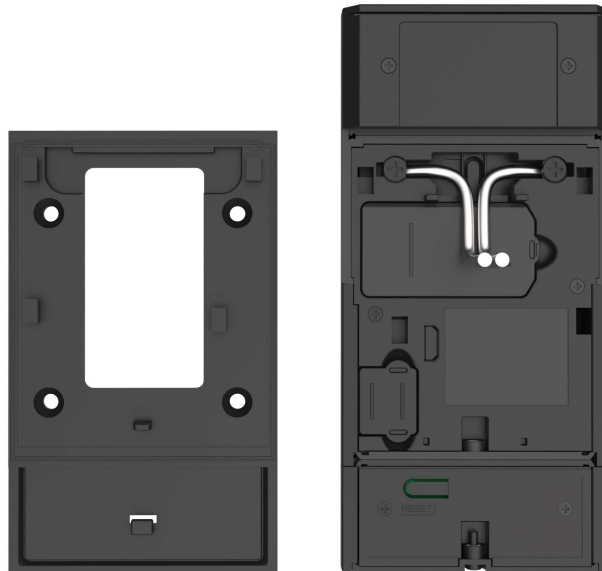
1. Remove the existing doorbell (if you have one), leave the power cable on the wall.
2. Stick the installation sticker on the wall so that the 24V wires go through the hole on the sticker.



3. Use the provided drill to drill 4 holes at the indicated spots on the sticker.
4. Put the plastic anchors into the 4 holes.
5. Place the base plate on the wall, and use the screws to fix it on the wall.



6. Connect the 24V wires to their respective adapters on the back of the doorbell, and tighten the screws to fix the wires.



7. Slide the doorbell from the top of the base plate and lock it in.



8. Tighten the tamperproof screw from the bottom of the base plate to fix the doorbell.



Tamperproof Screw

Quick Start Guide

1. Download “Bosma” from Google Play or App Store.



2. Connect your Sentry to power, and wait until it says “waiting for connection”.
3. Log in to Bosma or create a new account.
4. Tap the “+” button at the top right corner of the screen.
5. Select “Sentry” and follow the instructions on screen to complete the setup.

Customer service

support@bosmasmarthome.com

1(800)–976–0881

www.bosmasmarthome.com

- * The quick start guide is subject to change without notice, please find the latest version on www.bosmasmarthome.com

Caution: The user is cautioned that changes or modifications not expressly approved by the party responsible for compliance could void the user's authority to operate the equipment.

This device complies with Part 15 of the FCC Rules. Operation is subject to the following two conditions: (1) this device may not cause harmful interference, and (2) this device must accept any interference received, including interference that may cause undesired operation.

NOTE: This equipment has been tested and found to comply with the limits for a Class B digital device, pursuant to Part 15 of the FCC Rules. These limits are designed to provide reasonable protection against harmful interference in a residential installation. This equipment generates, uses and can radiate radio frequency energy and, if not installed and used in accordance with the instructions, may cause harmful interference to radio communications. However, there is no guarantee that interference will not occur in a particular installation.

If this equipment does cause harmful interference to radio or television reception, which can be determined by turning the equipment off and on, the user is encouraged to try to correct the interference by one or more of the following measures:

- Reorient or relocate the receiving antenna.
- Increase the separation between the equipment and receiver.

- Connect the equipment into an outlet on a circuit different from that to which the receiver is connected.
- Consult the dealer or an experienced radio/TV technician for help.

FCC Radiation Exposure Statement

This equipment complies with FCC radiation exposure limits set forth for an uncontrolled environment. This equipment should be installed and operated with a minimum distance of 20cm between the radiator and your body.

This transmitter must not be co-located or operating in conjunction with any other antenna or transmitter.