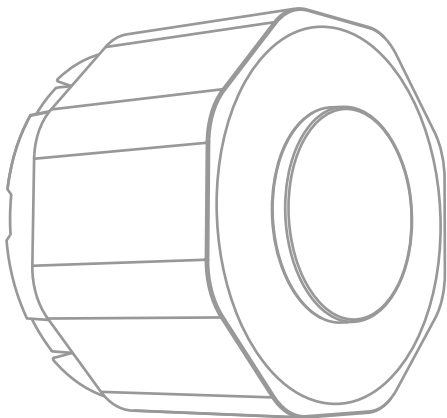


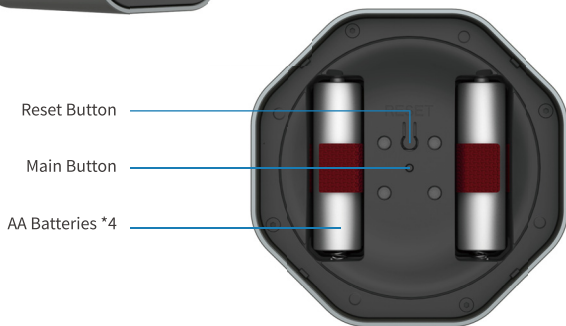
BESMA

AEGIS



Installation Instruction

1. Buttons



2. (1) Inside the Box



Aegis Smart Lock*1



Lock Adapters*3



AA Batteries*4



Adhesive Strip*1

(2) Tools you will need:



Phillips Screwdriver

3. Installation

(1) Fix the deadbolt in place

Use the adhesive strip in the box to fix the exterior (outdoor) part of the deadbolt, in order to prevent it from falling when the thumbturn is removed.



(2) Remove the thumbturn

Make sure that the deadbolt is in locked position. Unscrew both screws and remove the thumbturn from the deadbolt. Keep the screws handy for the next step. If there is an additional plate, remove it as well.



(3) Place the base plate over the deadbolt

Insert the two screws into the screw holes from the front of the base plate. Match both screws to the screw holes on the deadbolt. Please make sure that the base plate's back side is against the door, i.e. the bottom part of the base plate should be touching the door.



(4) Mount the base plate

Adjust the base plate so that the tailpiece goes through its center hole. Tighten the screws to fix the base plate on the door. Please do not over-tighten the screws as it may damage the door.



(5) Select the correct adapter

Select the correct adapter based on your dead bolt's tailpiece. If the adapter fits the tailpiece but does not fit in Aegis's motor, flip the adapter and try again. Place the adapter on the tailpiece.



(6) Check the deadbolt's locking direction

Looking out from inside of the door, if the bolt is at the left side of the door, then it locks counterclockwise; if the bolt is at the right side, then it locks clockwise.



Counterclockwise

Clockwise

(7) Turn Aegis to the locked position

If the deadbolt locks counterclockwise, gently turn Aegis counterclockwise till the end; if the deadbolt locks clockwise, gently turn Aegis clockwise till the end. Note: Stop turning once you feel a strong friction turning further. Do not force-turn Aegis as it may cause severe damage to the motor.



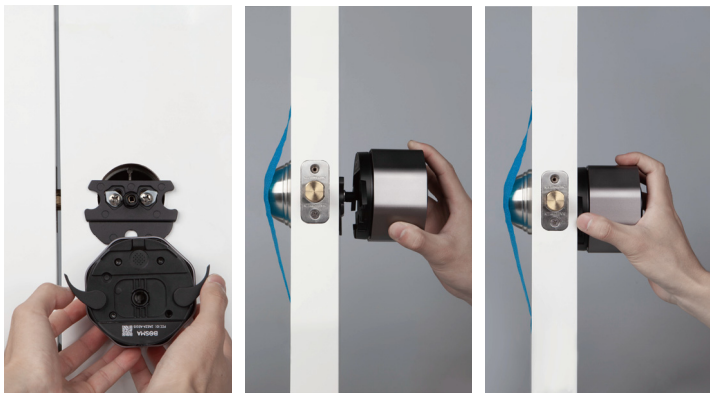
Counterclockwise



Clockwise

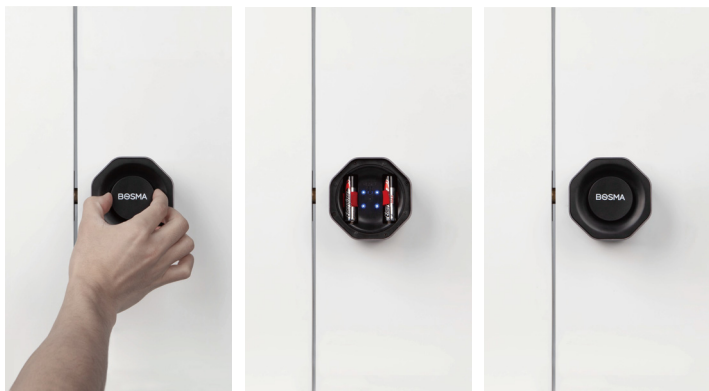
(8) Install Aegis

Make sure that the door remains locked. Open both latches on the back of Aegis, and mount Aegis on the base plate. Make sure that the adapter fits in the motor, and there is no gap between the base plate and Aegis. Finally, close the latches so that Aegis is secured on the base plate.



(9) Power on Aegis

Take off Aegis's front cover, and insert 4 AA batteries into the battery slots. After that, you should see a white light flash once, indicating that Aegis is powered on. Then, place the front cover back.



(10) Set up Aegis in the Bosma app

Download the Bosma app on your phone. Log in or create a new Bosma account.

On the home screen, tap the "+" button at the top right corner, and select "Aegis" from the list. Follow the instructions in the app to complete the setup process.



Quick Start Guide

1. Follow the Installation Instruction to install Aegis on your door.
2. Take off the front cover of the Aegis door lock.
3. Insert 4 AA batteries into the battery slots. You should see a white light flash once, indicating that Aegis is powered on.



4. Download "BOSMA" from Google Play or App Store.
5. Log in to BOSMA or create a new account.
6. Tap the "+" button at the top right corner of the home screen.
7. Select "Aegis" and follow the instructions on screen to complete the setup.

Customer Service

✉ support@bosmasmarthome.com

☎ 1(800)-976-0881

🌐 www.bosmasmarthome.com

* The quick start guide is subject to change without notice, please find the latest version on www.bosmasmarthome.com

Caution: The user is cautioned that changes or modifications not expressly approved by the party responsible for compliance could void the user's authority to operate the equipment.

This device complies with Part 15 of the FCC Rules. Operation is subject to the following two conditions: (1) this device may not cause harmful interference, and (2) this device must accept any interference received, including interference that may cause undesired operation.

NOTE: This equipment has been tested and found to comply with the limits for a Class B digital device, pursuant to Part 15 of the FCC Rules. These limits are designed to provide reasonable protection against harmful interference in a residential installation. This equipment generates, uses and can radiate radio frequency energy and, if not installed and used in accordance with the instructions, may cause harmful interference to radio communications. However, there is no guarantee that interference will not occur in a particular installation.

If this equipment does cause harmful interference to radio or television reception, which can be determined by turning the equipment off and on, the user is encouraged to try to correct the interference by one or more of the following measures:

- Reorient or relocate the receiving antenna.
- Increase the separation between the equipment and receiver.
- Connect the equipment into an outlet on a circuit different from that to which the receiver is connected.
- Consult the dealer or an experienced radio/TV technician for help.

FCC Radiation Exposure Statement (for 15.247)

This equipment complies with FCC radiation exposure limits set forth for an uncontrolled environment.

This transmitter must not be co-located or operating in conjunction with any other antenna or transmitter.

107*107mm