

Please read this instruction manual in detail before using

USER MANUAL



H-07

MOTION HEADSET

brief introduction

•The support of bluetooth wireless connectivity in telecom products has opened up a new field. Bluetooth wireless equipment can not need cables and use the built-in wireless receiver for communication. The receiver of the radio frequency range using the global radio frequency, so that we can guarantee that its worldwide compatibility. Bluetooth headset can with other bluetooth devices in about 10 meters (33 feet) of distance communication.

•This is a function of smart noise reduction ears hanging bluetooth headset, it can receive from mobile phone, notebook, computer or other bluetooth stereo audio, built-in powerful Chinese voice prompt function operation

•After connected to the phone, can be a wireless hands-free phones, enjoy the pleasure of wireless phone and music.

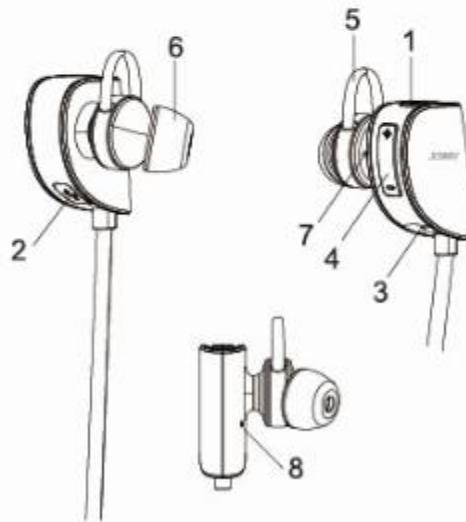
Bluetooth headset in the box:

- Host x1
- USB charging cable x1
- warranty card x1
- Qualification x1
- User's manual x1
- Anti-off ear hook x1 pair
- earcap x2 pair

Overview of the headset

■ Overview of I5 Bluetooth stereo headset:

- 1-Multifunctional Button(On/Off,match,receiveing/hand-up)
- 2-USB charging port(USB charging connecter)
- 3-Microphone(Phone voice input port)
- 4-Button(Voice high/low,Up/down curve to adjust)
- 5-Anti-off ear hook(free disassembly, wear comfortable)
- 6-earcap(Acoustic design leading tone, voice shaking)
- 7-Horn blowhole(The loudspeaker vibration, guide the air flow)
- 8- Light



Technical specification

Bluetooth Specification

- Support agreement: A2DP、AVRCP、HSP、HFP、APTX
- Frequency: 2.402GHz-2.480GHz
- Working scope: ≥10m
- Talking time: 6 hours
- Music time: 5 hours (80% volume)
- Standby time: 200 hours
- Charging standard: DC5V-500mA
- Charging time: about 1.5 hours
- Working environment: -10~50°C
- Frequency of volume: 20Hz-22KHz

Specification

- Product Net Weight: 17g (included the battery)
- Product Dimension: L30mm×W25mm×H9.3mm

indicator light

Matching status: Red and blue lights flashing alternately fast
Music Status: When entering the music breathe flashing blue light goes out after the second
Charging Status: red light keep flashing
Charging Finished: red light turns off, or blue light keep flashing
Low-power Status: red light turns on with indicate voice
Key states: Each time you press the button blue light will flash once

Operation Description

Turn on: Long press the multifunction key for about two seconds boot

Turn off: Long press the multifunction key for about three seconds off

- Matching mode: It will automatically enter into matching status while firstly turn on (or keep pressing the multi-functional button into matching status).
- Answer/hang up: single press the multi-functional button
- Repeat dial the last no.: double press the multi-functional button
- Voice dial(need mobile support): double press the lower volume button
- Up/down song: Click side button cut songs
- Volume big/small: Press the side button to achieve large volume \ small
- Turn to mobile answer the phone: Long press the multifunction key
- Headphone power indicate: double press the upper volume button, 100% power with once blinking of red light, 75% power with twice blinking of red light, 50% power with three blinking of red light, 25% power with four blinking of red light. (Note: it must be operated under stand-by status and IOS system can show the power directly on the screen.)
- Language swift (Chinese or English): when the headphone was connected status (not playing music), press the multi-functional button and lower volume button at the same time for 3 seconds, then it will have indicate voice to show OK.
- Sound effect swift: when the headphone was matched, press the upper volume button and lower
- Headphone System Reset: headset connected state, the multifunction key, volume up, volume down key while pressing for about three seconds, the headset can be a tone sounds.

Bluetooth matching steps 1

1. Please keep as close as possible from Bluetooth headphone to mobile phone (or other connecting devices) within 1 meter.
2. Make sure the headset is in the off state, press the multifunction key for about three seconds until the red / blue lights flashing alternately, this time into the pairing state, waiting for a connection;
3. Open the user's mobile Bluetooth function and search or scan, which will find all of the closed Bluetooth devices. Then click the headphone name JOAW H-07 and enter code 0000. After connected successfully, the headphone will turn to blue light blinking which means matched finished. Now you can listen to the phone music and take a phone call.

Warm Prompt:

1. Mobile already matched will no need to match again, the headphone will automatically match the previous device and make connection.
2. There are some phones after matching connection, they still need to choose headphones service function. If the cell phone bluetooth version is 2.1 or higher, when matching, you don't need to pair password (0000).
3. The maximum of matching time is 240 seconds. If you exceeded such time it will drop out the matching status. If you still can't match successfully, Please repeat the pairing procedure to connect again.
4. The headphone will automatically shut down when it being no-connection over 6 minutes.
5. Built-in three kinds of sound effects can be switched headphones.

Bluetooth matching steps 2

Matching 2: One with two function(connect two bluetooth devices at the same time)

1. Ensure the headset has already connected the first mobile phone(already had the connect memory)
2. The headphone volume up, volume down key while pressing for about 3 seconds to let go(Need to let go). Activate another mobile phone bluetooth function and searching for bluetooth device, select JOWAY H-07 and matched (as the first matching connection method)
3. Open the first mobile phone bluetooth function, click and connect the type of JOWAY H-07 which has the connect memory, at this time, JOWAY H-07 already connected with two mobile phones, one with two function.

Steps of connecting computer

First download a universal driver software. Installed successfully , you will have a little gray icon (Bluetooth icon) in the bottom right corner of your computer. Then plug in the Bluetooth adapter, at this time, the gray Bluetooth icon will turn to blue. Note: notebook computer with Bluetooth function does not need external Bluetooth adapter which need to buy separately. Right click on the (bluetooth icon), select "show the classic interface" When the bluetooth headset turned off, press the multifunctional key long, until red and blue lights flashing (matching), headset has entered the searched state at this time.

Right click on the computer interface, select the "search" equipment, the headset must be in pairs (red and blue lights flashing), then the computer will search for all nearby bluetooth devices. Double-click the computer and search for JOWAY H-07 bluetooth headset. Right-click the JOWAY H-07 and select "bluetooth audio high quality", enter the password "0000" (0000) initial passwords. Here, congratulations, bluetooth headset has been successfully connect with computer, and now can listening to the music and voice chat from computer!

FAQ

1:Headset can't pare with mobile phone.

Ans:please check whether your headset is in pairing mode or reconnect ion mode, check whether Bluetooth search function of your mobile phone has been opened. Thus, check your mobile device's Bluetooth menu and delete/ forget the headset,reconnect the headset following instructions of use manual

2:headset can't be switch on

Ans:Please check the battery status of your headset.

3:Can I change battery for the headset?

Ans: No, this headset use a built-in-non detachable Li-Polymer battery. It can't be removed.

4:can I use headset while driving?

Ans: For safety reason, we strongly recommend not to use over-ear headset to avoid distraction while driving.

5: Headset disconnect with your Mobile phone within 10 meter.

Ans: please check if there is metal or other material within relatively close range may interfere Bluetooth connection, as Bluetooth is a radio technology that is sensitive to objects between the headset and connected devices.

6: Can't hearing a sound from your computer or mobile phone.

Ans: Please check whether the output channel of your computer is Bluetooth Audio Device and Bluetooth function of your computer support A2DP profile. And please check volume of your headset, and computer/ mobile phone.

7: can't use the headset to control volume of select track of APP of your mobile phone.



Scanning a surprise

FCC Caution.

§ 15.19 Labelling requirements.

This device complies with part 15 of the FCC Rules. Operation is subject to the following two conditions: (1) This device may not cause harmful interference, and (2) this device must accept any interference received, including interference that may cause undesired operation.

§ 15.21 Changes or modification warning

Any Changes or modifications not expressly approved by the party responsible for compliance could void the user's authority to operate the equipment.

§ 15.105 Information to the user.

Note: This equipment has been tested and found to comply with the limits for a Class B digital device, pursuant to part 15 of the FCC Rules. These limits are designed to provide reasonable protection against harmful interference in a residential installation. This equipment generates uses and can radiate radio frequency energy and, if not installed and used in accordance with the instructions, may cause harmful interference to radio communications. However, there is no guarantee that interference will not occur in a particular installation. If this equipment does cause harmful interference to radio or television reception, which can be determined by turning the equipment off and on, the user is encouraged to try to correct the interference by one or more of the following measures:

- Reorient or relocate the receiving antenna.
- Increase the separation between the equipment and receiver.
- Connect the equipment into an outlet on a circuit different from that to which the receiver is connected.
- Consult the dealer or an experienced radio/TV technician for help.

* RF warning for Portable device:

The device has been evaluated to meet general RF exposure requirement. The device can be used in portable exposure condition without restriction.