

5000mAh

W5

WIRELESS PORTABLE CHARGER



User Manual

Packing List



Portable Charger



Type-C Charge Cable

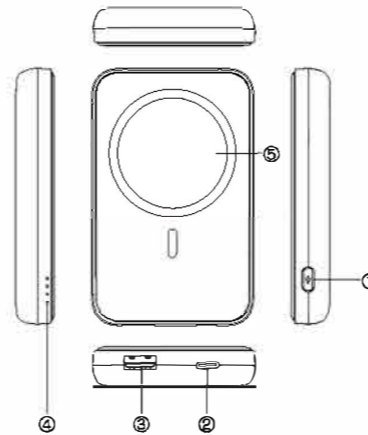


User Manual

Package Contents:

- A. Portable Charger x 1
- B. Type-C Charging Cable x 1
- C. User Manual x 1

Product Overview



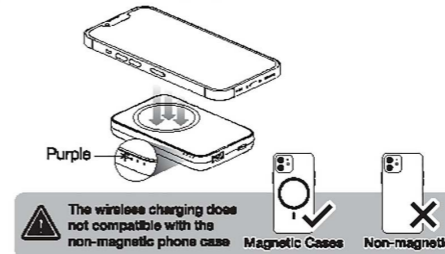
- ① Power Button
- ② USB C Input/Output Port
- ③ USB A Output Port
- ④ LED Indicator
- ⑤ Wireless Charging Surface

Specifications

Model:	W5
Capacity:	5000mAh
Power:	18.5Wh/3.7V
USB C Input:	5V=2A
USB C Output:	5V=2.4A
USB A Output:	5V=2.4A
Total Output:	5V=2.4A
Wireless Output:	10W (Max)

Charging Method

Wireless charging mode

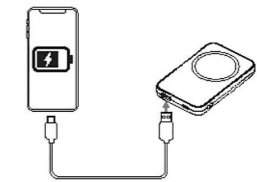


1. Press the power button to activate wireless charging mode, the first indicator light will flash purple once. (the blue indicator will show the current battery level of the portable charger)
2. Place your phone onto the portable charger. For best results, make sure it's centered on the circle icon of the portable charger. The first indicator light will stay purple.
3. After the cell phone is fully charged or when it is unloaded, the indicator light will turn off after approximately 60s and the portable charger will turn off. Or press the power button for 4s to power off.

NOTE:

- * The device to be charged needs to support a wireless charging function.
- * The magnetic suction function is compatible with iPhone 12 or newer models. The material of the phone case will affect the magnetic strength.
- * 7.5W wireless output compatible with Apple, 10W wireless output compatible with Samsung, 5W wireless output compatible with others.

Wired charging mode

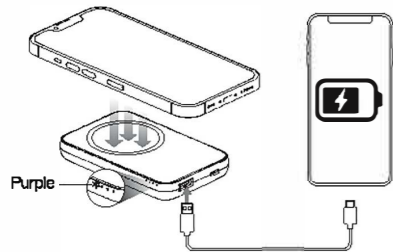


1. To charge a compatible electronic device with wired charging, connect it to the USB-A/USB-C output port with your charging cable (not included) without pressing buttons.
2. When wired charging, the blue indicator will show the current battery level of the portable charger.
3. After the electronic device is fully charged or when it is unloaded, the indicator light will turn off after approximately 40s and the portable charger will turn off. Or press the power button for 4s to power off.

NOTE:

- * Use a single USB A or C port to activate fast charging 5V/2.4A output, while using USB A and C ports at the same time they will share 5V/2.4A output.
- * Press the button will affect the charging speed.

Simultaneous wired & wireless charging



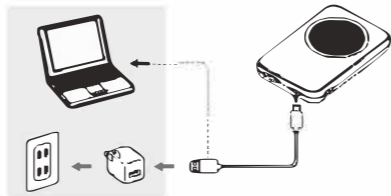
1. Press the power button to activate wireless charging mode, and place your compatible smartphone onto the portable charger.

2. Connect another electronic device to the USB-A/USB-C output port with your charging cable. The first indicator light will stay purple, and the blue indicator will show the current battery level of the portable charger.
3. After all devices are fully charged or when they are unloaded, the indicator light will turn off after approximately 60s and the portable charger will turn off. Or press the power button for 4s to power off.

NOTE:

- * When both wired and wireless charging at the same time, they will share 5V/2.4A output.

Charge For Portable Charger



1. Put the enclosed USB end of the cable plug into power supply equipment, like an AC adapter or computer, and the end of the cable plugs into the type-c port of the portable charger.
 2. The blue indicator LED will blink during charging. And the 4 blue indicator lights are all on after fully charged.
- * Low battery prompt: when the last blue light is flashing fast, please charge it in time.

Battery Power Indication

LED Light (● ON ○ OFF)	Capacity
○○○○	0%
●○○○	0%-25%
●●○○	25%-50%
●●●○	50%-75%
●●●●	75%-100%

- * Blinking light indicates recharging.
- * Solid light indicates fully charged.
- * Press the button to check the remaining battery charge.

Important Safety Precaution

[WARNING] - When using this product, basic precautions should always be followed, including the following:

1. Upon initial use or after a prolonged storage period, fully charge it once. The unit's full performance is achieved only after 2 or 3 completed charge and discharge cycles.
2. Please charge the product every three months when it's been idle status.
3. Don't use rough chemicals, like soap or cleanser to scrub it.
4. To reduce the risk of injury, close supervision is necessary - when the product is used near children.
5. portable chargers are not allowed in checked luggage on commercial airline flights. Handle with care and dispose of in accordance with local regulations.

- * Do not put your fingers or hands into the product.
- * Do not expose the portable charger to rain or snow.
- * Do not use the power supply or charger not recommended or sold by power pack injury to persons.
- * Do not charge the portable charger for more than 10 hours and do not leave it unattended. Disconnect the portable charger when not in use.
- * Do not use the portable charger in excess of its output rating-Overload outputs above the rating may result in a risk of fire or injury to persons.
- * Do not use the portable charger that is damaged or modified. Damaged or modified batteries may exhibit unpredictable behavior resulting in fire, explosion, or risk of injury.
- * Do not disassemble the portable charger. Take it to a qualified service person when service or repair is required. Incorrect reassembly may result in a risk of fire or injury to persons.
- * Do not expose a power pack to fire or excessive temperature. Never store or use this product in temperatures below 32F (0°C) or above 115°F (45°C).

Q & A

- Q:** Can't charge the Portable Charger.
- A:** (1) The Portable Charger is wrong connected to the AC charger.
 (2) It does not work with the AC charger. Please change an AC charger.
 (3) This product is a breakdown with an internal circuit. Please contact us by Amazon.
- Q:** No response with the being charged device.
- A:** (1) Too low power with this product, please recharge for this product.
 (2) The voltage of being charged device is not compatible with this product. Please check the voltage of your device.
 (3) This product is wrong connected with being charged device.
 (4) The charging cable and connectors are damaged. Please change them.
 (5) This product is a breakdown with an internal circuit. Please contact us by Amazon.
 (6) Using a charging line to connect the output port to the Input port by mistake will cause short-circuit protection. You should disconnect it. The product is connected to the AC charger or computer USB to be charged to solve short circuit protection.

FCC Caution:

This device complies with part 15 of the FCC Rules. Operation is subject to the following two conditions: (1) This device may not cause harmful interference, and (2) this device must accept any interference received, including interference that may cause undesired operation.

Any Changes or modifications not expressly approved by the party responsible for compliance could void the user's authority to operate the equipment.

Note: This equipment has been tested and found to comply with the limits for a Class B digital device, pursuant to part 15 of the FCC Rules. These limits are designed to provide reasonable protection against harmful interference in a residential installation. This equipment generates uses and can radiate radio frequency energy and, if not installed and used in accordance with the instructions, may cause harmful interference to radio communications. However, there is no guarantee that interference will not occur in a particular installation. If this equipment does cause harmful interference to radio or television reception, which can be determined by turning the equipment off and on, the user is encouraged to try to correct the interference by one or more of the following measures:

- Reorient or relocate the receiving antenna.
- Increase the separation between the equipment and receiver.
- Connect the equipment into an outlet on a circuit different from that to which the receiver is connected.
- Consult the dealer or an experienced radio/TV technician for help.