



Guangdong Jinsheng Intelligent Co., Ltd

Acknowledgment

SPECIFICATION FOR APPROVAL

Customer Name	Shenzhen Qiaowei Power Supply Co., Ltd
Item Description	coil
Manufacturer model	16x0.08x24Px2Px11TS [UNK] cable 50mm
Acknowledgment No	
Customer code	WDZL-6.3UH-JP268-1
Date	2022.08.10
Production Item No	
Version/Page	A0

Manufacturer's confirmation

Preparation	To examine	Approval
HeXuesong	ChenJinfeng	Ru Wei

Approval

Preparation	To examine	Approval

Manufacturer: Guangdong Jinsheng Intelligent Co., Ltd

Address: Floor 2, Building B, No. 289, Wenzhou Road, Dongcheng Street,
Dongguan City

Telephone: 0769-22252827

Email: 15789306@qq.com

Page 1	Customer code	Revision	Preparation date	Manufacturer
		A0	2022.08.10	Jinsheng Intelligence



Guangdong Jinsheng intelligent Co., Ltd

Change record

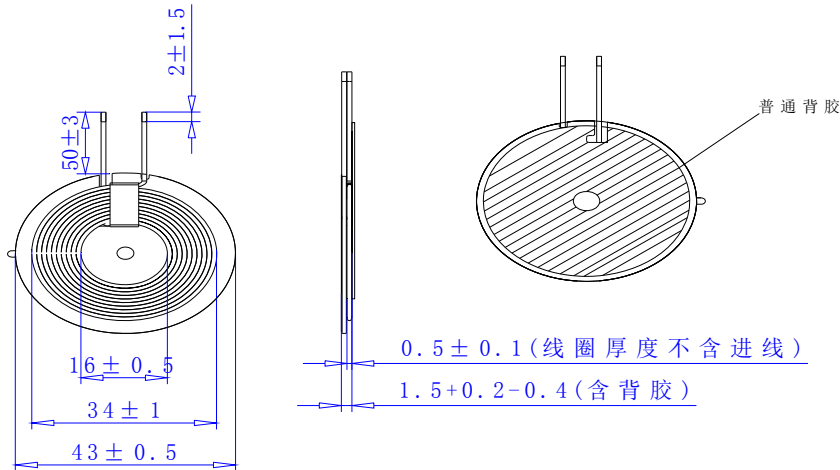
Serial No	Revision	Date	Change content	Changed by
one	A0	2022.08.10	Recognition of new specifications	HeXuesong

Page 1	Customer code	Revision	Preparation date	Manufacturer
		A0	2022.08.10	Jinsheng Intelligence



Guangdong Jinsheng intelligent Co., Ltd
structure size

1. Overall dimensions: (Unit: mm)



2. Electrical performance (L) :

Project	Standard	Test conditions		Remarks
Inductance	$3.5 \pm 10\%$	100KHZ,1V	Test instrument	Coil type
Inductance 1	$6.5 \pm 10\%$	100KHZ,1V	TH2817B+	Measuring type with magnetic disc
Resistance (DCR)	90mΩ MAX	100KHZ,1V	AT516	Measuring type with magnetic disc
Q value	30MIN	100KHZ,1V	TH2817B+	Measuring type with magnetic disc

3. Appearance requirements:

- 1)The shape and size of products shall be strictly controlled.
- 2)The product surface shall be free of oil stain, impurities, burrs, etc.
- 3)Materials cannot be changed at will without customer confirmation
- 4)The product must meet ROHS requirements

Page 1	Customer code	Revision	Preparation date	Manufacturer
		A0	2022. 08. 10	Jinsheng Intelligence



Guangdong Jinsheng intelligent Co., Ltd

Bill of Materials

Bill of materials

number	Material name	Description	Material Code
1	Wire rod	0.08*24P*2PHot air strand	
2	Magnetic disc	G43*5.3*0.5H (Double groove with L groove with black film)	
3	Gum backing	42*5.3*0.08H (Hand tear with holes)	
4	Adhesive tape	8MM	

Page 1	Customer code	Revision	Preparation date	Manufacturer
		A0	2022.08.10	Jinsheng Intelligence