

Smart Phone Holder User Manual

I: PREFACE

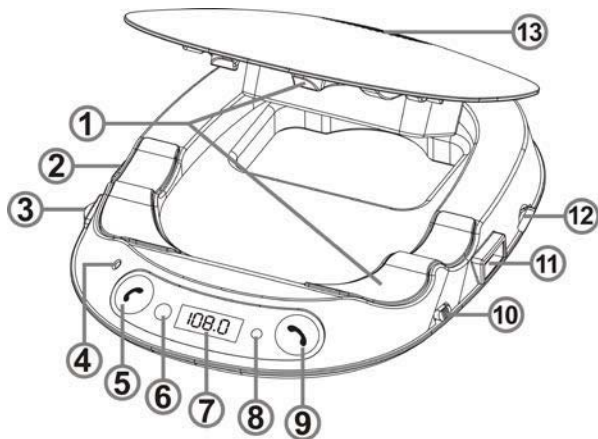
Thank you for buying the Car Bluetooth FM transmitter. This product with Bluetooth hands-free feature specially designed for drivers. It allows you to dial or answer a call easily when driving a car without affecting your driving safety. The product transmit music from mobile to original car's audio system via the FM band.

Please read the user manual carefully for better use!

II: CATALOGUE

Configuration.....	III
Features.....	IV
Function operation.....	V
Troubleshooting.....	VI
Specifications.....	VII
Remote control.....	VIII
Accessories.....	IX

III: CONFIGURATION



- 1: Bracket fixing position
- 2: USB input interface

- 3: Multi-touch switch (Multi- functional key)
- 4: MIC
- 5: pick-up keys
- 6: Infrared remote control receiver window
- 7: LED display
- 8: Charging indicator
- 9: Hang up keys
- 10: Power switch
- 11: USB 5V/2A output
- 12: TF card slot
- 13: Speaker

IV. Features:

- Built- in Li battery (600mAh)
- Multi-functional phone holder
- DSP technology, Full duplex, noise and echo suppression
- Voice prompt function
- 88.1-107.9MHz Full FM Frequencies
- Pick-up/End/Reject call/ hand-free talking
- Supports MP3,WMA music play
- Supports Bluetooth audio play
- Supports USB Charging 5V/2A
- Remember the last frequency, track and recall them when restarting
- Infrared remote control.
- Bluetooth auto connection after power on
- Built- in 3W speaker output
- Charging indicator (the light will be off while battery is full)



In-car use



Indoor use

V. Function Operation

1. Basic operation

1.1 Power On/Off

Turn the right power switch to "ON", LCD display "HI", the device start to work, it will show bt at the display (If no use in a long time, please turn power switch to "OFF")

1.2 Pairing between Bluetooth car kit and mobile phone

When using the device to pair your mobile phone for the first time, The pin-code is needed. Please refer to the following instructions:

1.2.1 Turn on the Bluetooth car kit, and activate your mobile phone's Bluetooth function, then search device "BT8128"from your mobile phone .

1.2.2 Some mobile phone need to enter password "0000".

1.2.3 Select "BT8128" from your mobile phone, choose "connect" again, then select the connecting as " Hand-free device".


1.2.4 If connection is failed, the "bt" displayed on LED will be flashed

2. Using the Bluetooth hand-free car kit.

2.1 Make a call

Under "connected" state, make a phone call from your mobile phone directly, voice output via Bluetooth hand-free device automatically.



2.2 pick-up a call

Under "connected" state, when there is an incoming call, press  directly to pick up the call.

2.3 Reject a call

If you do not want to pick up an incoming call, long press  to reject.

2.4 Switch a call

When using the Bluetooth device for hand-free talking, short press  or  to switch voice output between phones and hand-free Bluetooth car kit

2.5 End a call

When calling, press  to end a call.

3. Playing music

3.1 Turn power switch to "on", and insert TF card into TF slot on the device,

the device will turn to MP3 mode automatically, and play MP3, WMA format music stocked in TF card, short press **⏮** or **⏭** to play last track or next track, short press (Multi-functional key) middle button to play/pause.

3.2 Turn on the car stereo to FM mode, adjust frequency of the device in the same frequency with the car radio, and the music play synchronized by the car stereo.

3.3 Change the transmit frequency

Under FM state, long press **⏮** or **⏭** to decrease or increase transmit frequency.

3.4 Built-in speaker state displayed on LED screen

TF card play state indicate as "SP" on LED Screen, Bluetooth play state indicates as "-SP" on LED screen.

3.5 Volume adjust

Under speaker mode, long press **⏮** or **⏭** to decrease or increase the volume.

4. FM transmitting function

The device is with built-in FM transmitting function, it can transmit hand-free and music voice to the original car stereo and enjoy the high-quality sound.

4.1 Under FM state, TF card play state indicates as "the frequency", Bluetooth play state indicates as "BT".

4.2 Under FM state, long press **⏮** or **⏭** to adjust the frequency among 88.1-107.9MHZ. In order to reduce the interference to achieve better results, please Try to adjust the transmitting frequency to an empty radio frequency.

4.3 Turn on the car radio and adjust the FM channel in the same with this product's, then you can enjoy the hand-free voice via car audio automatically or enter the mute mode.

5. Press **⏮** button twice, switch BT/TF mode(it can not switch to TF card music play if TF card is not inserted)

6. Long press (Multi-functional key) middle button, switch between

speaker and FM transmitting.

VI. Troubleshooting

1.If you are unable to connect Bluetooth Car Kit to the cell phone, please check and try the following steps:

-Ensure the Bluetooth Car Kit is switched on

-Ensure the Bluetooth Car Kit is paired with your cell phone successfully(Please refer to your cell phone's user guide for specific instruction for pairing)

-Ensure the device is with in a maximum of 10 meters of the mobile phone and there is no obstructions, such as walls or other electronic device.

2. If pairing operations fail:

a. Delete the item(s) from the paired list on your cell phone

b. Reset both the cell phone and Bluetooth Car Kit device by powering them off and then restart

c. If there are two mobile phones connected with the Bluetooth car kit, please delete the Bluetooth Car Kit from one mobile phone first before use.

3. If there is no sound from FM audio output

-Ensure the frequency of Bluetooth Car Kit and Car audio is in same.

4. Sound is distorted or a murmur.

Appropriately adjust device's volume to improve sound effect. Such as turn up the volume too high, a murmur will might be caused by the built-in speaker and FM transmit.

VII. Specifications

- Bluetooth version V2.1

- Bluetooth working Frequency 2.4GHZ

- Receiving range of the Bluetooth device 0~10M

- The MIC effective talking distance: 0~ 50CM

- FM Frequency: 88.1~107.9MHZ

- power supply: DC 5V/2A

- USB output: 5V/2A

- Dimension of mobile phone supported: 58MM-105MM

- Operating temperature -10-70 degrees

- Storage temperature -20~80 degrees

VIII: Remote control

1. CH- : Frequency down
2. CH+: Frequency up
3. Press **⏮** for previous track , long press for previous folder
4. Press **⏭** for Next track , long press for next folder.
5. **⏮** Play/pause , answer/end a call
6. +: Volume up
7. -: Volume down
8. EQ:EQ mode, Control sound effects
9. 0-9 : select song or frequency directly (it is unavailable when under the situation of Bluetooth)
10. **📞**: Answer or end a call. Continuously press two times to redial the latest outgoing call.
11. MODE: press to switch TF/BT function
12. **📶**: Press to switch audio between Bluetooth and mobile phone.
13. Digital song selection: Press **⏮** after inputting digital keys to Select track No.
14. Digital frequency selection:Press "CH- or CH+ " after inputting digital keys to Select frequency.



IX. Accessories:

1. 21-key infrared remote control
2. Host machine
3. User Manual
4. Packing box
5. 2A car charger
6. 80CM USB cable
7. 30CM USB cable

FCC Statement

This device complies with part 15 of the FCC Rules.

Operation is subject to the following two conditions:

- (1) This device may not cause harmful interference, and
- (2) this device must accept any interference received, including interference that may cause undesired operation.

Changes or modifications not expressly approved by the party responsible for compliance could void the user's authority to operate the equipment.