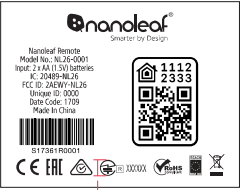
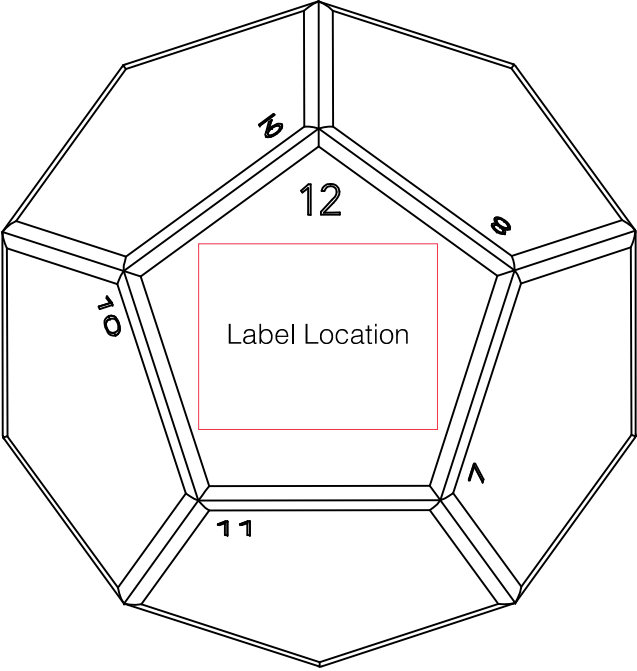
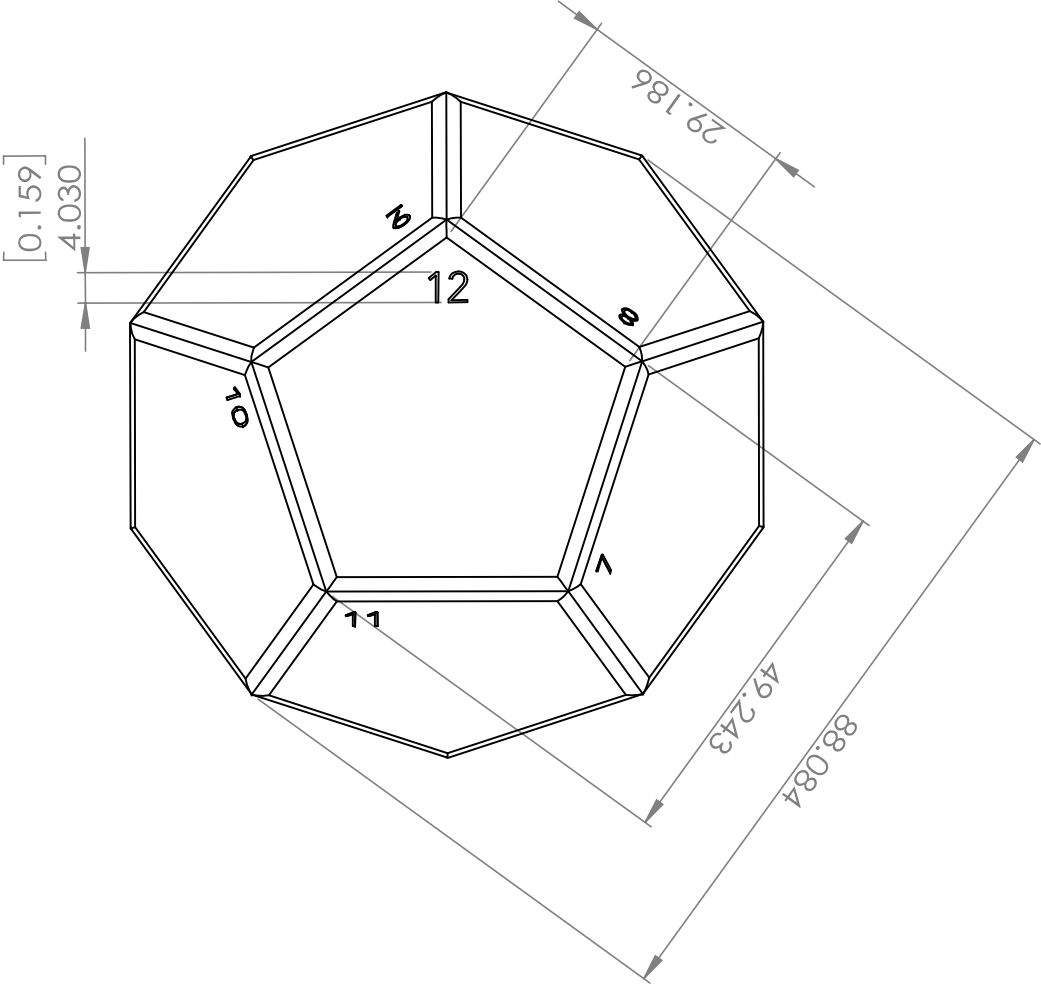


Nanoleaf Remote Product Label

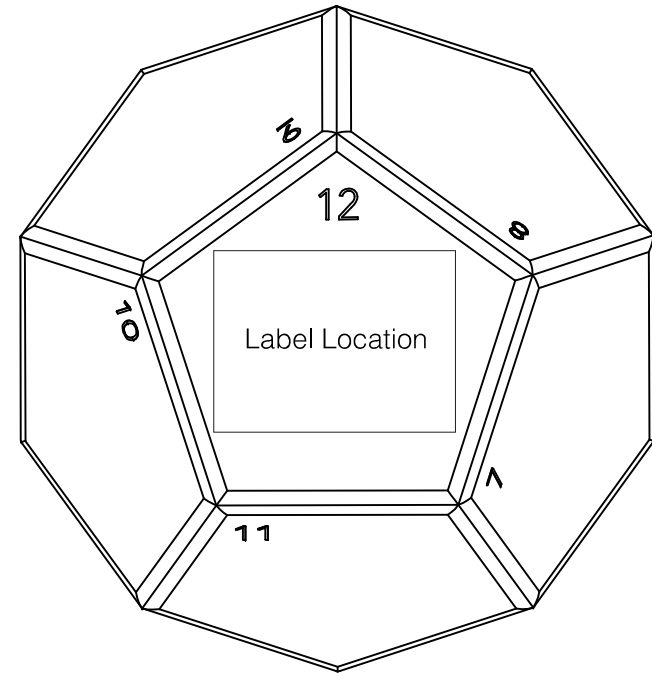
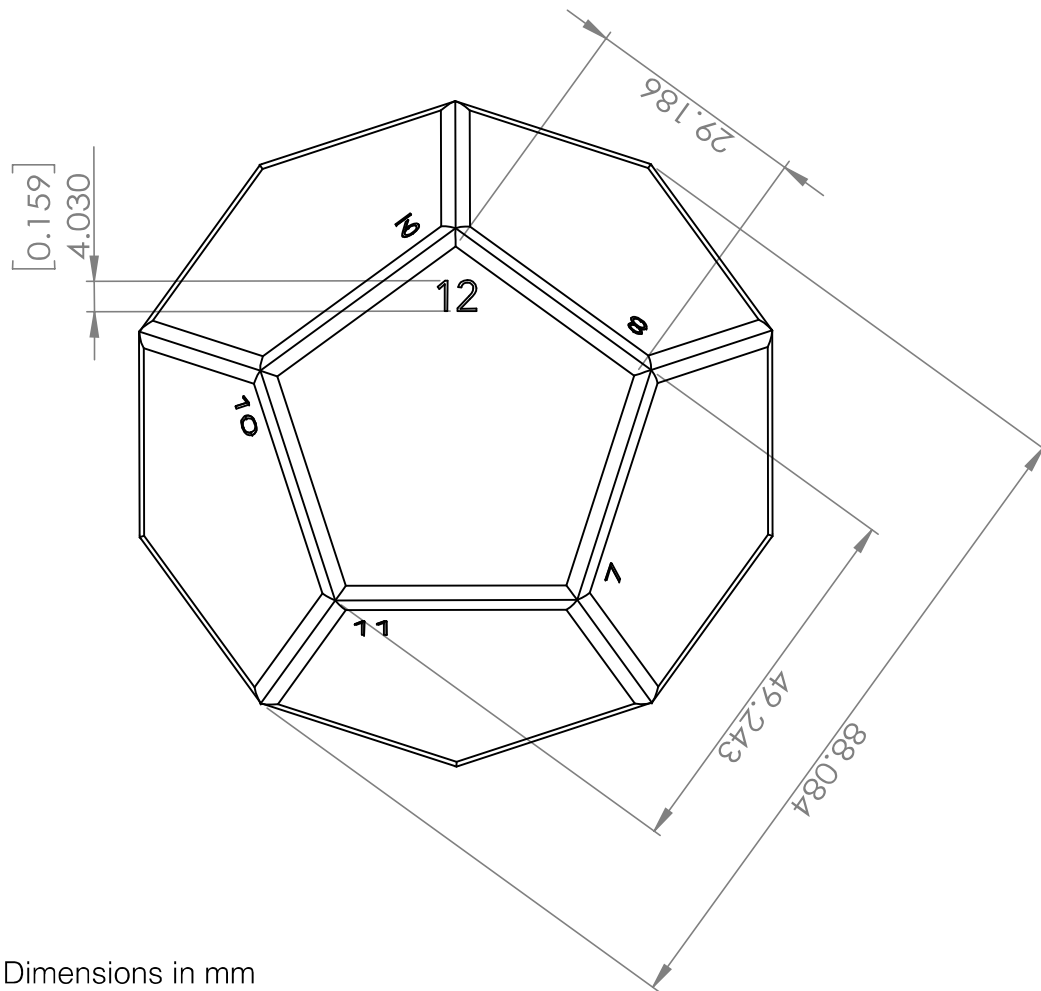
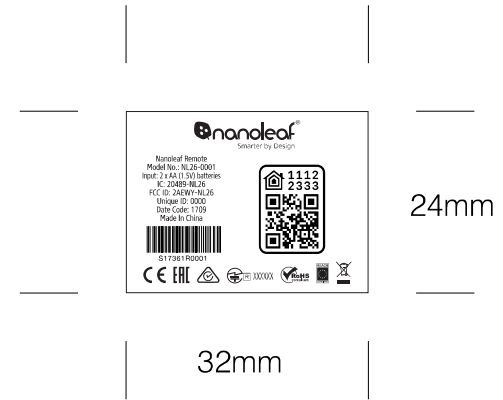


H: 3.5mm



All Dimensions in mm

Nanoleaf Remote Product Label



All Dimensions in mm



Smarter by Design

Nanoleaf Remote

Model No.: NL26-0001

Input: 2 x AA (1.5V) batteries

IC: 20489-NL26

FCC ID: 2AEWY-NL26

Unique ID: 0000

Date Code: 1709

Made In China



S17361R0001



(R) XXXXXX

