

# **SOUNDLOGIC™ XT**

## **FELINE PLUSH BLUETOOTH STEREO HEADPHONES**



**21515**

**INSTRUCTION MANUAL**

**PLEASE READ ALL INSTRUCTIONS CAREFULLY**

**AND RETAIN FOR FUTURE USE**

### **Getting started**

- Remove the product from the packaging.
- Please retain all packaging after you have checked and counted all the parts and the contents against the list.

### **Package Contents**

- Soft Plush Cat Style Bluetooth Headphone
- USB charging cable
- Instruction Manual

### **Key Features**

- Soft Plush Cat Style Bluetooth Headphone
- Built-in Bluetooth
- Connect and stream wireless music
- Built-in mic allows you hands-free mobile phone conversation
- Keeps you connected socially and musically while at home, office or on the go
- Soft cushion headband and ear cups
- Ensures you comfortable fit through out the day
- Built-in rechargeable battery
- Foldable design
- USB charging cable included

### **Safety Instructions**

Keep the unit away from heat sources, direct sunlight, humidity, water and any other liquids.

Do not operate the unit if it has been exposed to water, moisture or any other liquids to prevent against electric shock, explosion and/or injury to yourself and damage to the unit.

Do not use the unit if it has been dropped or damaged in any way.

Repairs to electrical equipment should only be performed by a qualified electrician. Improper repairs may place the user at serious risk.

Do not use the unit with wet hands.

Do not put objects into any of the openings.

Keep the unit free from dust, lint etc.

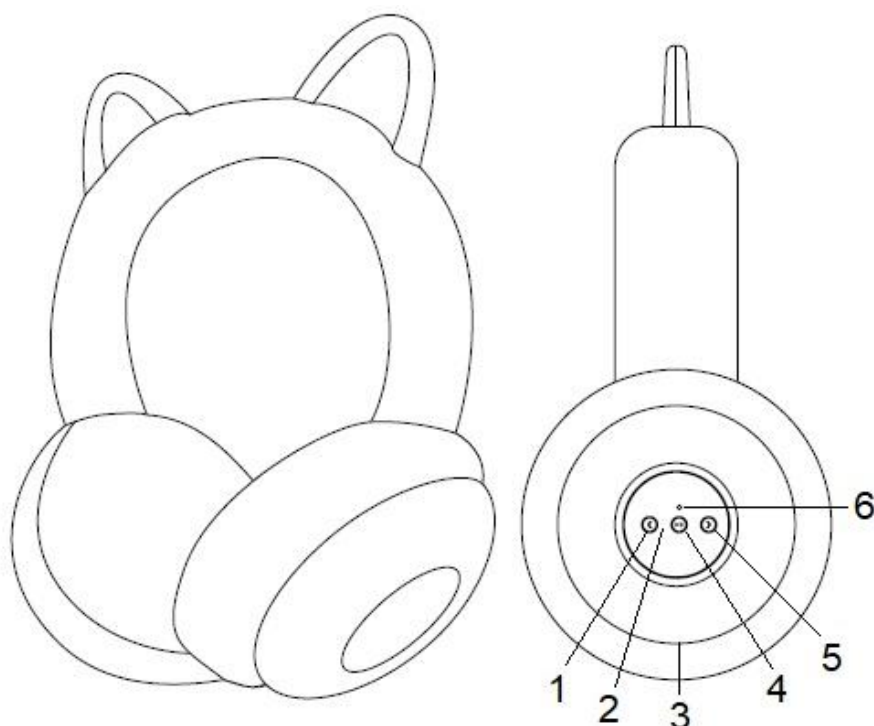
Do not use this unit for anything other than its intended use.

Keep the unit out of reach of children.

This product is not a toy.

Do not use the handset at excessive volume levels, as damage to hearing may occur.

## Description of Parts:



1	Previous Track / Volume Decrease
2	Built-in mic
3	Charging port
4	Power / Play / Pause / Phone button
5	Next Track / Volume Increase
6	LED Indicator Light

## INSTRUCTIONS FOR USE

### Charging Instructions

- The Bluetooth Headphone come with a built-in rechargeable battery. Before using it for the first time we recommend you charge the battery fully. Only use the supplied USB Cord to charge the Bluetooth Headphone. Please charge for 1-2 hours.
- Connect the USB charging cable to a computer USB port and the Micro USB plug to the charging port of the device. The Indicator Light turns Red while the device is charging. It takes 1-2 hours for the headphone to charge fully. Indicator Light turns to Blue, when the battery is fully charged.

### Turning on/off the device

- Press and hold the Power button for 2-3 seconds to turn ON/OFF the device.

### Pairing the device with Bluetooth devices (phone or music device)

- Press and hold the Power button for 2-3 seconds to turn on the headphone. An indication tone would be heard, and the indicator light will flash red and blue

alternatively. Place the Bluetooth Headphone and Bluetooth source device (phone or music device) so that they are no more than 3 feet apart.

- Activate the Bluetooth function on your Bluetooth device (phone or music device). Please refer to the manufacturer’s instructions for instructions on enabling Bluetooth on your device.
- Once you have activated Bluetooth on your device, select the “**Feline Plush**” from the list of available Bluetooth devices.
- You might be prompted with “Pair with **Feline Plush**?” message on your source device, with “Cancel” and “OK” options. Please click “OK”.
- If required, enter the password ‘0000’ to confirm pairing.
- Once paired successful, another indication tone would be heard and the indicator light will flash blue slowly.
- You’re now ready to stream wireless music to your headphone.
- If pairing is unsuccessful, turn off the device first and then re-pair following the above steps.
- Once you have paired the Bluetooth Headphone with a device, the Headphone will remember this device and will pair automatically when the device’s Bluetooth is activated and in range. You do not need to re-pair any previously connected devices.
- The Bluetooth Headphone will attempt to automatically connect to the last device it was paired with when switched on. If you want to pair it with a new device, please follow the steps outlined above.
- Once the Bluetooth Headphone is paired with your device the music will transmit through the Bluetooth Headphone. Please refer to your device’s user manual for further information.

## Function Summary

### Listening to Music

- Once the Headphone is paired with your device you can stream music wirelessly through the Bluetooth Headphone. Should you encounter any problems while streaming please refer your device’s user manual for further information.

### Control Function

Function	Operation	Button
Increase Volume	Playing music	Long press the Volume Increase button to increase the volume
Decrease Volume	Playing music	Long press the Volume Decrease button to decrease the volume
Pause	Playing music	Short press the Play / Pause button to pause the music
Play	Pausing	Short press the Play / Pause button to restart the music

Previous track	Playing music	Short press on the Previous Track button to return to the previous track
Next track	Playing music	Short press on the Next Track button to skip to the next track

(**Note:** An indication tone will alert you when the volume is adjusted to the maximum or minimum level.)

## **Making a call with the Bluetooth Headphone in Bluetooth mode**

### **Basic operation**

<b>Function</b>	<b>Operation</b>	<b>Button</b>
Answer a call	Incoming Call	Press the Phone button once to answer an incoming call
Reject a call	Incoming Call	Press and hold the Phone button for 1 second
End a call	Incoming Call	After your phone conversation, short press the Phone button.
Increase Volume	During a call	A long press on the Volume Increase button once will increase the volume
Decrease Volume	During a call	A long press on the Volume Decrease button once will decrease the volume
Redial last number	Standby mode and connected to a device	Short press the Phone button twice

### **Please Note**

- Not all mobile phones support all the functions listed above. Please refer to your mobile phone's user's manual for further information.
- Certain functions and indication tones may vary depending on your mobile phone.

### **Do's and Don'ts**

Do not play music at excessive levels. Damage to hearing and/or equipment may result.

Do not use outdoors in wet or in damp surroundings.

### **Care and Maintenance**

Read the following recommendations before using the Bluetooth Headphone. Following these you will be able to enjoy the product for many years.

- Do not expose the Bluetooth Headphone to liquid, moisture or humidity to avoid the product's internal circuit being affected.
- Don't use abrasive cleaning solvents to clean the device.
- Do not expose the device to extremely high or low temperature as this will shorten the life of electronic devices, destroy the battery or distort certain plastic

parts.

- Don't dispose of the device in a fire as it will result in an explosion.
- Don't expose the device to contact with sharp objects as this will cause scratches and damage.
- Don't let the device fall on the floor. The internal circuit might get damaged.
- Don't attempt to disassemble the headphone as it may cause permanent damage to it.

In case the device doesn't function properly, send it to the store you bought it. The staff will help you to the problem.

### Specifications

<b>Bluetooth version</b>	5.0
<b>Operating distance</b>	Up to 33 Feet
<b>Working time</b>	Music: Up to 6 hours Talk: 7-8 hours
<b>Charging input voltage</b>	DC 5V
<b>Charging time</b>	1-2 hours
<b>Built-In Battery</b>	150mAh

(Note: Battery life & charging time may vary based on usage & types of devices used.)

### FCC Instructions

Changes or modifications not expressly approved by the party responsible for compliance could void the user's authority to operate the product.

NOTE: This product has been tested and found to comply with the limits for a Class B digital device, pursuant to Part 15 of the FCC Rules. These limits are designed to provide reasonable protection against harmful interference in a residential installation. This product generates, uses and can radiate radio frequency energy and, if not installed and used in accordance with the instructions, may cause harmful interference to radio communications. However, there is no guarantee that interference will not occur in a particular installation. If the product does cause harmful interference to radio or television reception, which can be determined by turning the equipment off and on, the user is encouraged to try to correct the interference by one or more of the following measures:

- Reorient or relocate the receiving antenna.
- Increase the separation between the product and receiver.
- Connect the product into an outlet on a circuit different from that to which the receiver is connected.
- Consult the dealer or an experienced radio/TV technician for help.

The device complies with Part 15 of the FCC Rules. Operation is subject to the following two conditions: (1) this device may not cause harmful interference, and (2)

this device must accept any interference received, including interference that may cause undesired operation.

Imported by Osiris Inc. L6T 4M6/  
Osiris America Inc. 14020