

6

5

4

3

2

1

D

C

B

A

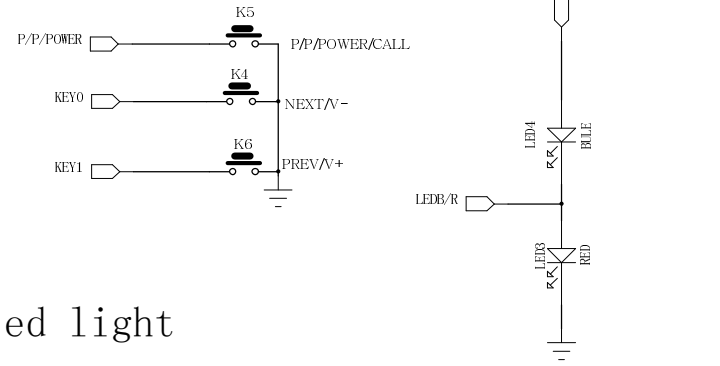
D

C

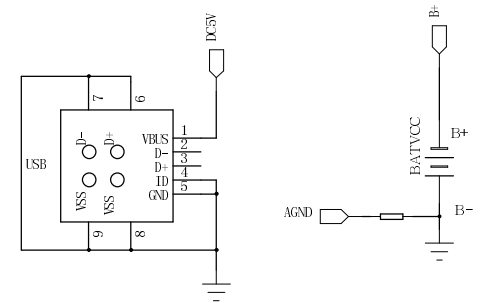
B

A

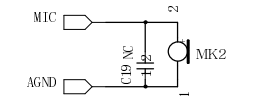
REVISION RECORD			
LTR	ECO NO:	APPROVED:	DATE:



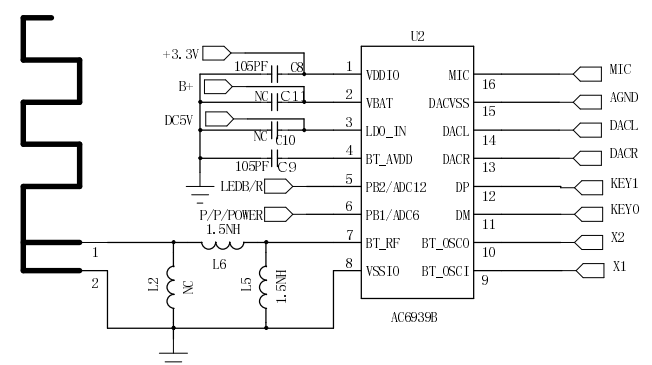
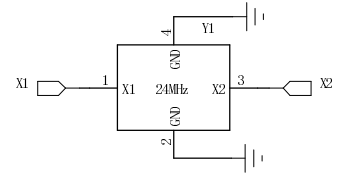
KEY/led light



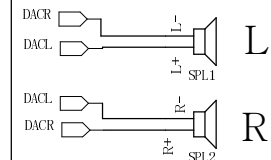
power supply



MIC rophone



bluetooth chipset



SPL

COMPANY:			
TITLE:			
DRAWN:	DATED:	CODE:	SIZE:
CHECKED:	DATED:	DRAWING NO:	
QUALITY CONTROL:	DATED:	REV:	
RELEASED:	DATED:	SCALE:	
SHEET: 1 OF 3			