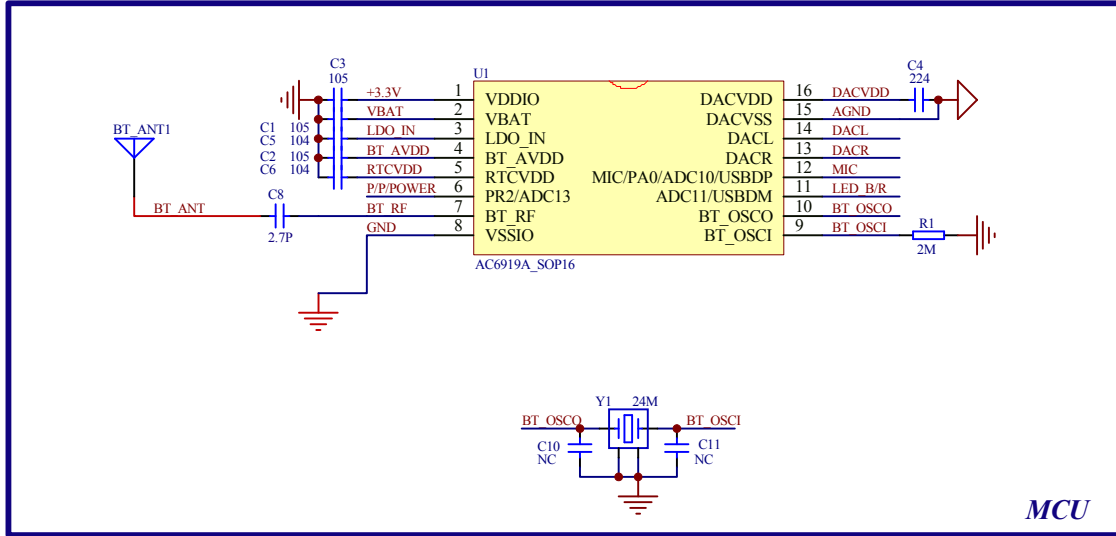


1

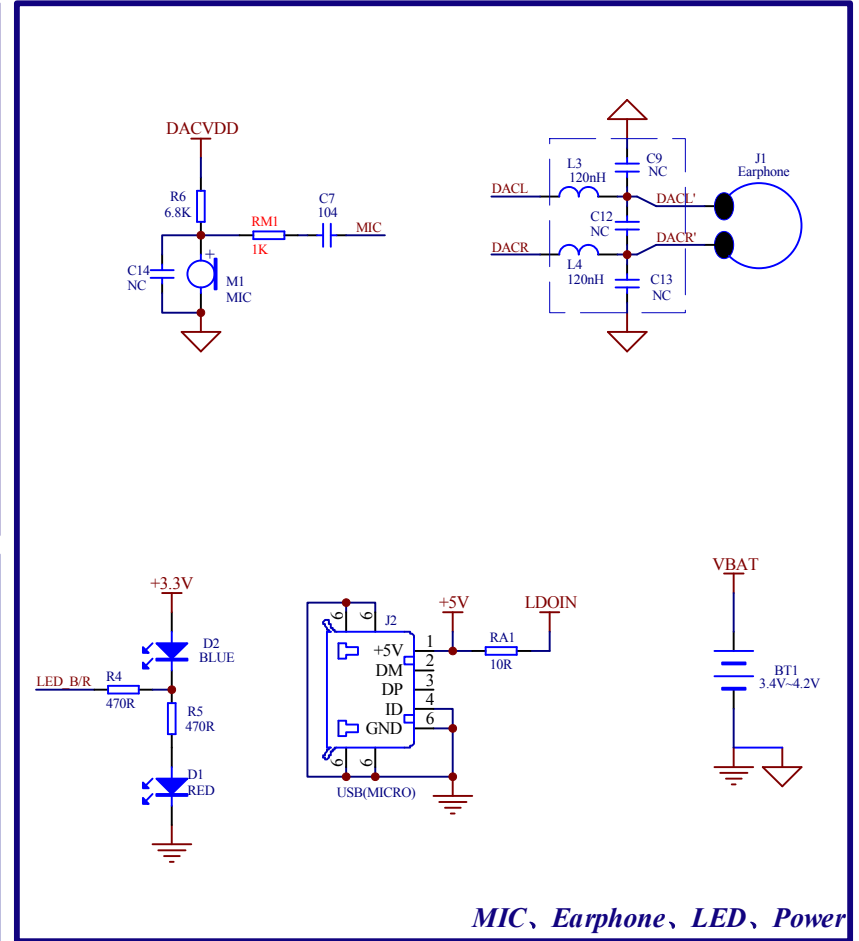
2



MCU

3

4



MIC, Earphone, LED, Power

1

2

3

4

D

D

C

C

B

B

A

A