



USER MANUAL 2.4GHz

1:24 REMOTE CONTROL CAR

* Thank you for choosing our toys R/C car. To ensure correct and pleasing operations, please read through the following use instruction and have enough understanding of the product before use.

CAUTION:

ELECTRICALLY OPERATED PRODUCT

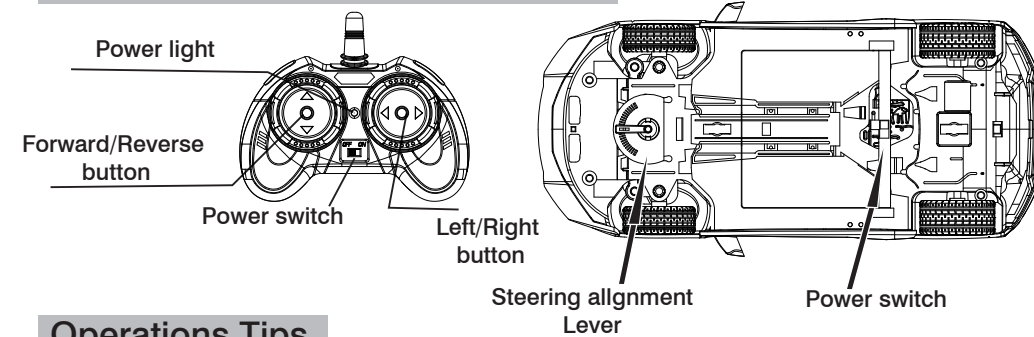
Not recommended for children under 8 years of age. As with all electric products, precautions should be observed during handling and use to prevent electric shock.

ADULT SUPERVISION REQUIRED

Warning: Changes or modifications to this unit not expressly approved by the party responsible for compliance could void the user's authority the equipment.

Contents: Vehicle X 1, Transmitter controller X 1.

Transmitter and Vehicle operation

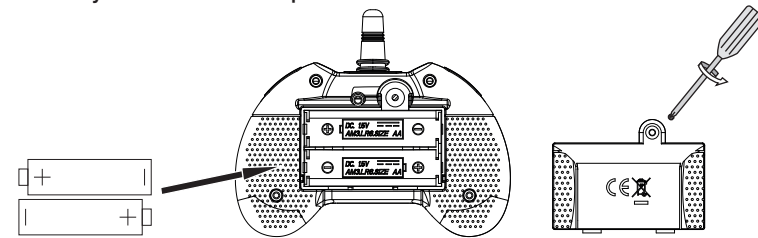


Operations Tips

- Please make sure the power switch is in the ON position when you operate, and OFF position when not in use.
- If the car direction goes left, please adjust Steering alignment Lever to right until the car goes straight.
- If the care direction goes right, please adjust Steering alignment Lever to left until the car goes straight.

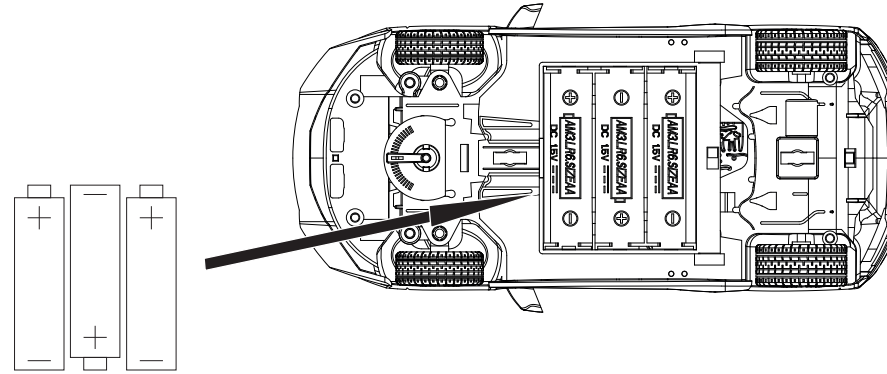
Battery Installation-Transmitter and Vehicle

1. Please install 2X1.5V AA battery with polarity (+/-) as shown inside battery compartment.
2. Follow the arrowhead to close the remote control's battery cover.
3. Pls install 3X1.5AA batteries inside the vehicle battery compartment.
4. Tighten battery cover with a Philips head screwdriver.



Operation

1. Please install 3X1.5V AA battery inside battery compartment that is underneath the chassis, taking care to observe the polarity. Fit back the cover.
2. Please install 2x1.5V AA battery inside the controller. The car is ready to run.
3. If the car does not run in a straight line adjust the steering alignment lever located beneath the chassis.
4. When the light in the controller begins to dim, it time to replace the battery.
5. When your R/C vehicle begins to lose performance, power or function, it time to replace the battery.



Battery Performance Note

For best performance, use alkaline batteries. Battery life will vary according to brand.

Battery Safety Information

1. Don't mix old and new batteries. Always replace all batteries at the same time.
2. Don't mix battery of different types. (Alkaline, standard batteries or rechargeable batteries).
3. Please insert the "AA" batteries with polarity (+/-) as shown inside the battery compartment.
4. Don't short-circuit terminals.
5. Don't recharge non-rechargeable batteries. Rechargeable batteries may only be charged under the supervision of an adult.
6. Remove all batteries if vehicle will not be used for a long period of time.
7. Dipose of batteries safety. Don't dispose of batteries in fire as they may explode.
8. Exhausted batteries are to be removed from the toy.
9. Keep these instructions for future reference: they contain important information.
10. Packaging has to be kept since it contains important information.
11. Rechargeable batteries are to be removed from the toys before being charged.

Remarks

1. Always remove batteries from the toys when it is not being used for a long period of time.
2. Wip the toys gently with a clean damp cloth.
3. Keep the toys away from direct sunlight and/or direct heat.
4. Do not submerge the toy in to water that can damage the electronic assemblies.

FCC

Caution: The user is cautioned that changes or modifications not expressly approved by the party responsible for compliance could void the user's authority to operate the equipment.

This device complies with Part 15 of the FCC Rules. Operation is subject to the following two conditions: (1) this device may not cause harmful interference, and (2) this device must accept any interference received, including interference that may cause undesired operation.

NOTE: This equipment has been tested and found to comply with the limits for a Class B digital device, pursuant to Part 15 of the FCC Rules. These limits are designed to provide reasonable protection against harmful interference in a residential installation. This equipment generates, uses and can radiate radio frequency energy and, if not installed and used in accordance with the instructions, may cause harmful interference to radio communications. However, there is no guarantee that interference will not occur in a particular installation.

If this equipment does cause harmful interference to radio or television reception, which can be determined by turning the equipment off and on, the user is encouraged to try to correct the interference by one or more of the following measures:

- Reorient or relocate the receiving antenna.
- Increase the separation between the equipment and receiver.
- Connect the equipment into an outlet on a circuit different from that to which the receiver is connected.
- Consult the dealer or an experienced radio/TV technician for help.