

This device complies with Part 15 of the FCC Rules. Operation is subject to the following two conditions: (1) this device may not cause harmful interference, and (2) this device must accept any interference received, including interference that may cause undesired operation.

NOTE: This equipment has been tested and found to comply with the limits for a Class B digital device, pursuant to Part 15 of the FCC Rules. These limits are designed to provide reasonable protection against harmful interference in a residential installation. This equipment generates, uses and can radiate radio frequency energy and, if not installed and used in accordance with the instructions, may cause harmful interference to radio communications. However, there is no guarantee that interference will not occur in a particular installation. If this equipment does cause harmful interference to radio or television reception, which can be determined by turning the equipment off and on, the user is encouraged to try to correct the interference by one or more of the following measures:

- Reorient or relocate the receiving antenna.
- Increase the separation between the equipment and receiver.
- Connect the equipment into an outlet on a circuit different from that to which the receiver is connected.
- Consult the dealer or an experienced radio/ TV technician for help.

WARNING: Changes or modifications to this unit not expressly approved by the party responsible for compliance could void the user's authority to operate the equipment.

RECHARGEABLE BATTERY WARNING:

- This product contains batteries that are non-replaceable.
- There is a risk of fire and personal injury if battery is punctured, damaged, or misused.
- Do not dismantle, crush, incinerate or short-circuit battery.
- Never expose battery to extreme temperatures or moisture.
- Keep away from flammable materials and direct sunlight.
- Only charge using the provided charger, cable, and/or adapters.
- Rechargeable battery is only to be charged by an adult.
- Adult Supervision of the battery while it is charging is required.
- Allow battery to cool to room temperature before charging.
- Charge on a non-flammable surface and keep away from flammable products
- Discontinue charging if battery becomes hot, swells, smokes, or gives off a strong odor.
- Battery chargers used with the product are to be regularly examined for damage to the cord, plug, enclosure, and other parts, and in the event of such damage, they must not be used until the damage has been repaired.
- Recycle or dispose of battery according to federal, state, and local laws
- Keep these instructions for future reference.



The Bluetooth® word mark and logos are registered trademarks owned by Bluetooth SIG, Inc. Computers, tablets, Smart Phones, and music players must have built-in Bluetooth® wireless technology to connect. This product is not affiliated with or endorsed by any of the above mentioned, referenced or pictured trademarks, companies or devices.

SHARPER IMAGE® NAME AND LOGOS (INCLUDING THE 77 LOGO AND TOMORROW'S TOMORROW) ARE TRADEMARKS OR REGISTERED TRADEMARKS. DISTRIBUTED BY AND © 2020 MERCHSOURCE, LLC. IRVINE, CA 92618. ALL RIGHTS RESERVED.

FOR TECHNICAL SUPPORT, PLEASE CALL 1-800-374-2744

PRINTED IN CHINA



SHARPER IMAGE®

BLUETOOTH® SPEAKER

CONTENTS:

- 1 Bluetooth® Speaker
- 1 USB Charging Cable

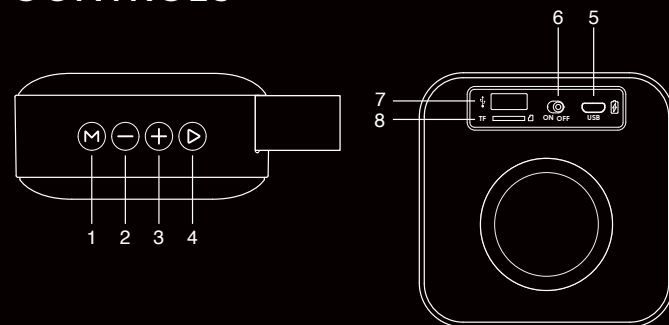
SPECIFICATIONS

- Model: 1014046
- Power: 3W
- Bluetooth® Version: V5
- Battery Size: 400mAh Lithium Battery
- Input Power: DC 5V, 500mA (Micro USB Port)

PAIRING THE SPEAKER

1. Turn on the speaker.
2. Place your device within 3 feet of speaker.
3. Enable Bluetooth® on your device and search for new Bluetooth® devices. Refer to your device's manual on how to enable and operate Bluetooth® connectivity.
4. Select SI SQUARE SPEAKER from the list of Bluetooth® available devices.
5. You will be notified by a tone from the speaker when pairing is successful.
6. You're ready to wirelessly stream music to your speaker!
7. Speaker will automatically power down after 10 minutes of inactivity.

CONTROLS



1. Press (M) to toggle through Bluetooth®, SD card and USB flash drive.
2. Short press (⊖) for volume down; long press (⊖) for previous track.
3. Short press (⊕) for volume up; long press (⊕) for next track.
4. Short press (▶) for play/pause music & answer/end call; long press (▶) to reject call; double click (▶) to redial the last call.
5. DC input
6. Power on/off switch
7. USB drive port: Supports USB flash drive reading up to 32G.
8. SD card slot: Supports up to 32G SD card.

SAFETY WARNINGS: PLEASE READ BEFORE USE

- Not a children's item. Keep out of the reach of children.
- Only charge using the included cable.
- Do not charge speaker when speaker is wet.
- Do not allow moisture to enter USB port.
- Do not submerge in water for an extended period. Accidental submersion only.
- Do not attempt to use this product for other purposes.
- Do not expose to extreme temperatures.
- Do not expose to direct sunlight.