

111mm

45mm

111mm

45mm

SHARPER IMAGE® SOUNDHAVEN® SPORT



TRUE WIRELESS EARBUDS + Qi CHARGING CASE



OPEN-EAR DESIGN TO HEAR SURROUNDINGS



CRYSTAL CLEAR CALL QUALITY



SWEATPROOF

+ CARRY CASE

WIRELESS CHARGING



Qi charging pad not included



SHARPER IMAGE® SOUNDHAVEN® SPORT



TRUE WIRELESS EARBUDS + Qi CHARGING CASE



OPEN-EAR DESIGN TO HEAR SURROUNDINGS



CRYSTAL CLEAR CALL QUALITY



SWEATPROOF



7

HOURS ON ONE CHARGE

+ COMFORT EARCLIPS

Stays in place when exercising

+ TAP CONTROLS

Play, pause, and skip through songs



LOOK SHARP,
SOUND SHARPER

TOMORROW'S. MORROW™

157mm

SHARPER IMAGE
SOUNDHAVEN SPORT



SHARPER IMAGE
SOUNDHAVEN SPORT



LOOK SHARP,
SOUND SHARPER

TOMORROW'S.MORROW



SPOT UV

EXPERTLY TUNED DRIVERS

The drivers oscillate with extreme precision for accurate audio with a wider soundstage and full-range clarity.



WIRELESS CHARGING

Simply slide the earbuds into place to begin charging.

01 TRUE WIRELESS

Stream audio via Bluetooth® technology with truly wireless stereo sound.

02 OPEN-EAR DESIGN

Listen to music while active and stay aware of your surroundings.

03 UNIVERSAL FIT

Wear your earbuds comfortably all day regardless of ear size or shape.

04 MICROPHONES

Enjoy crystal clear calls with high-quality mics.

06 EXTENDED PLAY

Play for 7 hours and extend to 20 hours with the charging case.

07 Qi CERTIFIED

Charge the case wirelessly using any Qi compatible charger.



IPX4 SWEATPROOF

The water-resistant barrier protects against rain, sweat and accidental splashes for a perfect fit in an active lifestyle.

WHAT YOU GET



2 earbuds



Charging case



USB-C charging cable

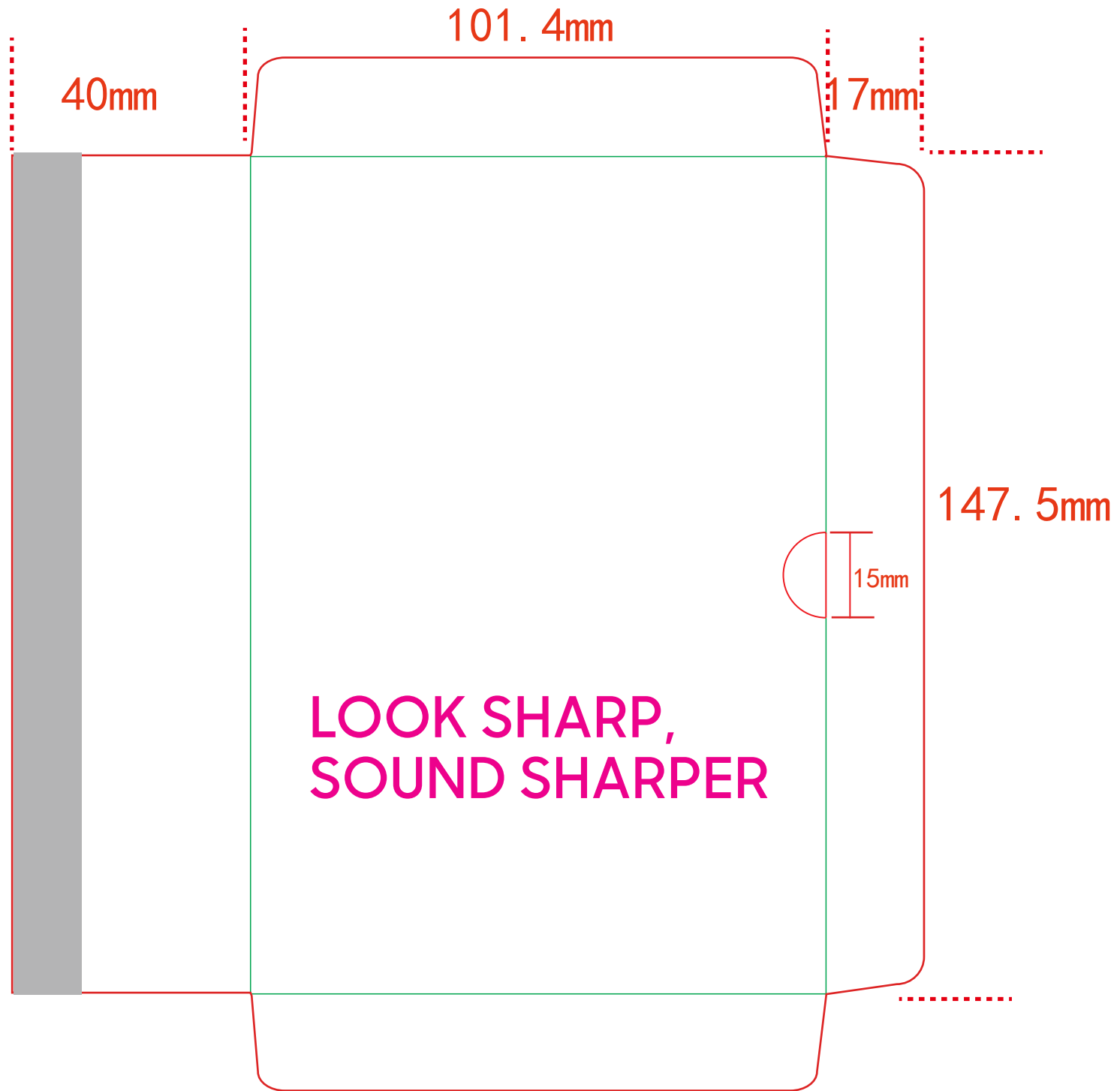
43mm

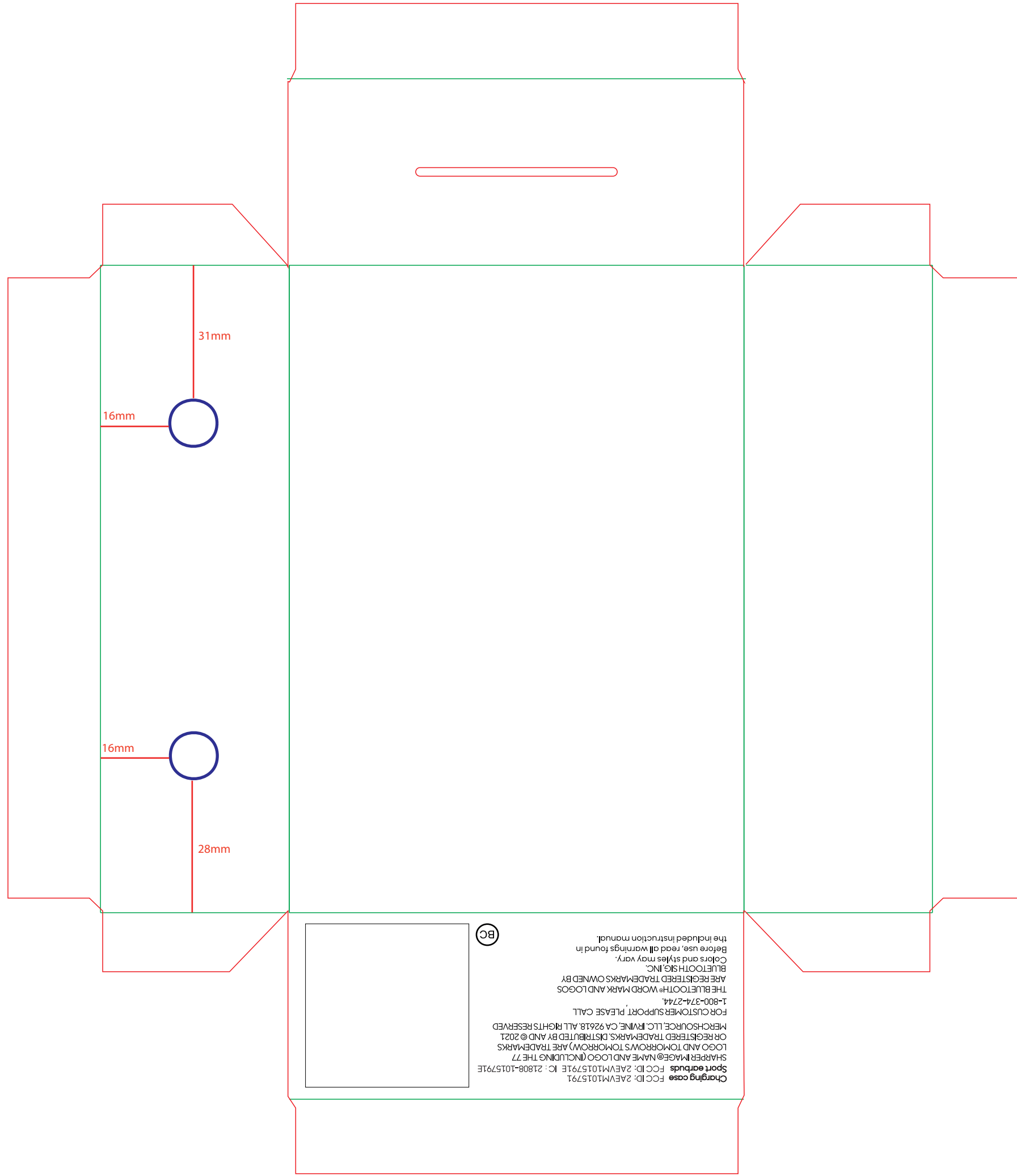
111mm

45mm

155mm

INSIDE COVER





INNER BOX

Charging case FCC ID: 2AEVM1015791E IC: 21808-1015791E
Sport earbuds FCC ID: 2AEVM1015791E IC: 21808-1015791E
SHARPER IMAGE® NAME AND LOGO (INCLUDING THE 77
LOGO AND TOMORROW'S TOMORROW) ARE TRADEMARKS
OR REGISTERED TRADEMARKS, DISTRIBUTED BY AND © 2021
MERCHSOURCE, LLC. IRVINE, CA 92618. ALL RIGHTS RESERVED
FOR CUSTOMER SUPPORT PLEASE CALL
1-800-374-2744.
THE BLUETOOTH® WORD MARK AND LOGOS
ARE REGISTERED TRADEMARKS OWNED BY
BLUETOOTH SIG, INC.
Colors and styles may vary.
Before use, read all warnings found in
the included instruction manual.

