

WIRELESS CHARGING CAR PHONE MOUNT

CONTENTS

- Mount
- USB Cable
- USB Car Adapter

SPECIFICATIONS OF MOUNT

- Input: DC 5V/2A (Max)
- Output: 5W
- Wireless Charging Version: Qi 1.2.4

SPECIFICATIONS OF USB CAR ADAPTER

- Input: DC 12V-24V
- Output: DC 5V/2.1A (Max)

COMPATIBILITY

- iPhone 8 series, iPhone X series, Samsung Galaxy S8/S9/S10 Series, Samsung Galaxy Note 8/9 Series
- Qi wireless technology enabled devices
- Non-metal phone cases up to 3 mm thick

WARNING: Changes or modifications to this unit not expressly approved by the party responsible for compliance could void the user's authority to operate the equipment.

This device complies with Part 15 of the FCC Rules. Operation is subject to the following two conditions: (1) this device may not cause harmful interference, and (2) this device must accept any interference received, including interference that may cause undesired operation.

NOTE: This equipment has been tested and found to comply with the limits for a Class B digital device, pursuant to Part 15 of the FCC Rules. These limits are designed to provide reasonable protection against harmful interference in a residential installation. This equipment generates, uses and can radiate radio frequency energy and, if not installed and used in accordance with the instructions, may cause harmful interference to radio communications. However, there is no guarantee that interference will not occur in a particular installation. If this equipment does cause harmful interference to radio or television reception, which can be determined by turning the equipment off and on, the user is encouraged to try to correct the interference by one or more of the following measures:

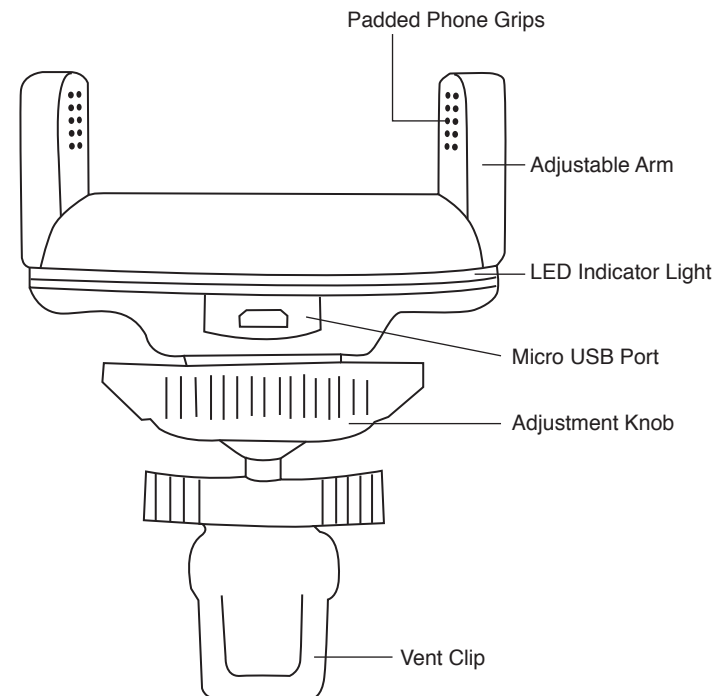
- Reorient or relocate the receiving antenna.
- Increase the separation between the equipment and receiver.
- Connect the equipment into an outlet on a circuit different from that to which the receiver is connected.
- Consult the dealer or an experienced radio/ TV technician for help.
- This equipment complies with FCC RF radiation exposure limits set forth for an uncontrolled environment.
- Caution: To maintain the compliance with the FCC's RF exposure guideline, place the Wireless Charging Stand at least 20 cm from nearby persons.

This product is meant for use only in conjunction with a suitable device. Please consult your device packaging to determine whether this product is compatible with your particular device. Manufacturer is not responsible for any damages to any device or personal property incurred through the use of this product.

Manufacturer shall in no way be liable to you or to any third party for any damages you or any third party may suffer as a result of use, intended or unintended, or misuse of this product in conjunction with any device or accessory other than the compatible device for which this product is designed or intended. Manufacturer will not be responsible for any damages you or any third party may suffer as a result of misuse of this product as outlined above.

Samsung and Galaxy S are both registered trademarks of Samsung Electronics Co., Ltd. Apple and iPhone are trademarks of Apple Inc. Qi is a trademark of the Wireless Power Consortium.

LAYOUT



SAFETY WARNINGS: PLEASE READ ALL SAFETY WARNINGS AND INSTRUCTIONS BEFORE USE

- Not a children's item. Keep out of reach of children.
- Always obey all local, state, and federal driving laws.
- Always ensure mount is properly installed prior to use and before starting to drive.
- Always ensure phone is securely set in the mount prior to use and before starting to drive.
- Be aware of vent temperature. High vent heat may damage phones.
- Use this item only for its intended purpose.
- Do not expose to extreme temperatures or moisture.
- Thoroughly inspect products before every use. If the product appears worn, frayed/splintered, cracked, or broken in any manner, discontinue use and discard immediately.

© 2019 MerchSource, LLC. Irvine, CA 92618. All rights reserved. For technical support, please call 1-800-374-2744.

KEEP THIS INSTRUCTION MANUAL AS IT CONTAINS IMPORTANT INFORMATION FOR FUTURE REFERENCE.

Due to continuous product improvements, the picture on the manual may differ slightly from the actual product.

WIRELESS CHARGING CAR PHONE MOUNT

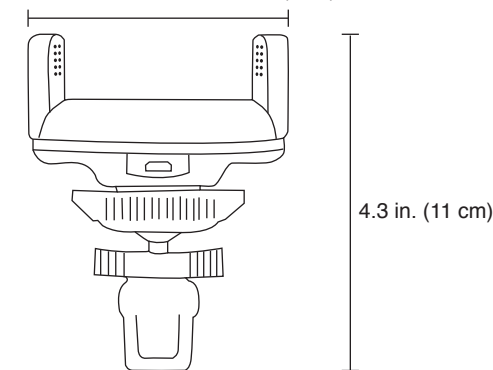
INSTALLING YOUR MOUNT

1. Loosen the adjustment knob.
2. Hold down the vent clip button and slide the vent clip onto your car's vent as far back as possible. Some vents such as round vents, may require extra care for stable mounting.
3. Tighten the adjustment knob. Do not over tighten.
4. Test the vent clip's connection for stability before continuing.
5. Once securely mounted, plug one end of the Micro USB cable to the car adapter and the other side to the mount.

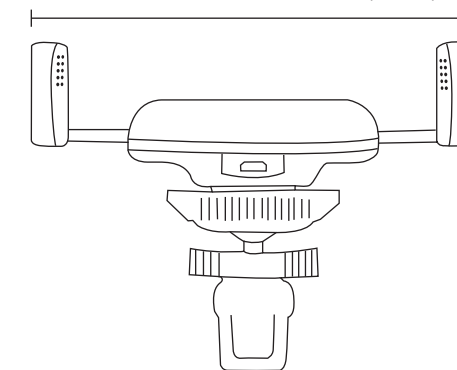
MOUNTING YOUR PHONE

1. Make sure the mount is secure before installing your device.
2. Extend the mount's arms and then place your device in the cradle and carefully release the arms so they adjust to the width of your device.
3. Pressure will hold your device in place. Make sure your device is secure before letting go.
4. If your device is equipped with Qi wireless charging, then the LED indicator ring will light up blue to indicate it is charging.
 - Red LED – mount is powered and ready for charging
 - Blue LED – device is successfully charging

Arm Closed Min. Width: 2 in. (5cm)



Arm Extended Max Width: 4 in. (10 cm)



REMOVING YOUR PHONE

- Hold your device and then extend the arms

TROUBLESHOOTING

- Device is not charging – Make sure your device's wireless charging coil is centered with the center of the mount.
- No power to mount – make sure the USB cable is plugged into the mount and into a USB adapter. Make sure the USB adapter is receiving power.

This product is meant for use only in conjunction with a suitable device. Please consult your device packaging to determine whether this product is compatible with your particular device. Manufacturer is not responsible for any damages to any device or personal property incurred through the use of this product.

Manufacturer shall in no way be liable to you or to any third party for any damages you or any third party may suffer as a result of use, intended or unintended, or misuse of this product in conjunction with any device or accessory other than the compatible device for which this product is designed or intended. Manufacturer will not be responsible for any damages you or any third party may suffer as a result of misuse of this product as outlined above.

Samsung and Galaxy S are both registered trademarks of Samsung Electronics Co., Ltd. Apple and iPhone are trademarks of Apple Inc. Qi is a trademark of the Wireless Power Consortium.

© 2019 MerchSource, LLC. Irvine, CA 92618. All rights reserved. For technical support, please call 1-800-374-2744.

KEEP THIS INSTRUCTION MANUAL AS IT CONTAINS IMPORTANT INFORMATION FOR FUTURE REFERENCE.

Due to continuous product improvements, the picture on the manual may differ slightly from the actual product.