

Multifunction Shower Speaker



INTRODUCTION

Congratulations on your purchase of the Multifunction Shower Speaker. Please read all instructions and warnings in this sheet prior to using your speaker. Keep this instruction sheet as it contains important information for future reference.

SAFETY WARNINGS

- Inspect the product before every use. If the product appears worn, frayed, cracked, or broken in any manner, discontinue use and discard immediately.
- Do not submerge in water.
- Do not disassemble.
- Do not use for anything other than its intended purpose.
- This is not a children's product. Keep out of reach of children.
- Do not charge speaker in shower
- Do not allow moisture to enter USB port.

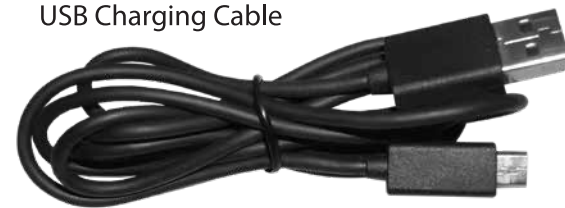
FEATURES

- Splash resistant
- Built in rechargeable battery
- Compatible with BLUETOOTH® devices

Speaker



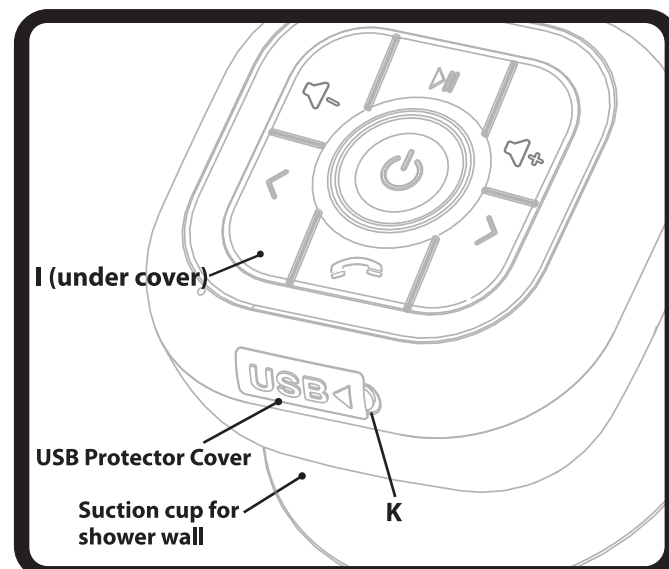
USB Charging Cable



CHARGE THE SPEAKER

- Remove USB Protector Cover.
- Attach the small connector of the USB Charging Cable to the Charging Jack (K).
- Attach the other end of the cable to a computer's USB port.
- A red LED light (I) will turn on, indicating speakers are charging.
- Remove the USB cable from computer when the red LED light turns off
- Cover (K) with water resistant USB Protector Cover
- When the battery is low, an alert tone can be heard reminding you to recharge the speaker.

Note: It takes approximately 3 hours to fully charge speakers.



Attach the suction cup to the smoothest surface in your shower. For the best bond, make sure all surfaces are clean and dry.

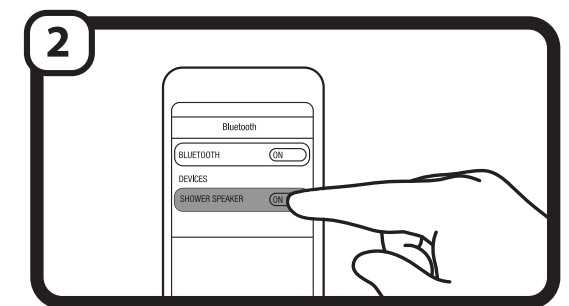
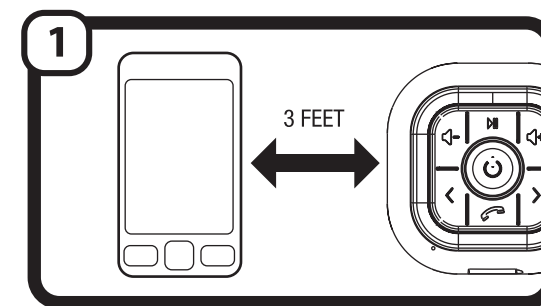


PAIRING THE SHOWER SPEAKER

Your device must have BLUETOOTH® capability. Consult your device manufacturer or user manual if you are unsure if your device has this feature. Turn off any devices that may have been previously paired to the speakers.

- Press and hold (J) to turn the speaker ON. You will hear a voice say, "Waiting for Device."
- Place your device within 3 feet of the speaker (Figure 1).
- Enable BLUETOOTH® on your device and search for new BLUETOOTH® devices. Refer to your device's manual on how to enable and operate BLUETOOTH®.
- Select SHOWER from the list of BLUETOOTH® available devices (Figure 2).
- A voice from the speakers will notify you when the speaker is successfully paired.
- You can now stream music wirelessly from your device to your speaker.
- After the speaker has been on and there's not a BLUETOOTH® device paired to it, it will turn off automatically after 15 minutes.

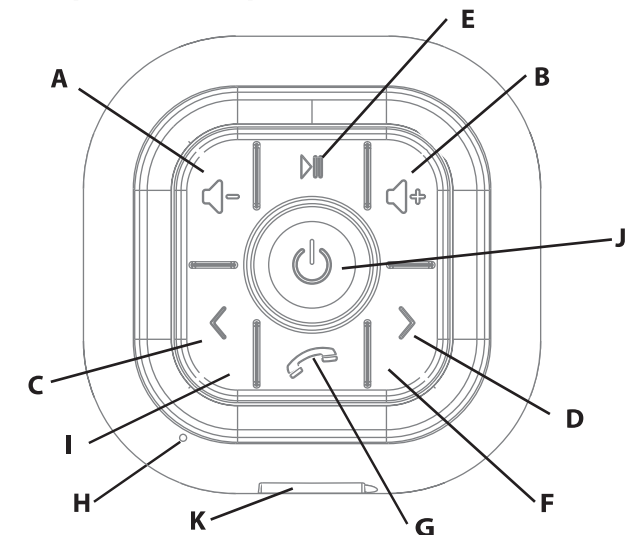
Note: If you restart the Speaker, it will automatically pair with your device. A voice will notify you when it is successfully paired.



Before exposing the Shower Speaker to moisture, cover the Speaker's USB port with the USB Protector Cover.

CONTROLS

- A. While playing music- press the volume - button to decrease volume.
- B. While playing music- Press the volume + button to increase volume.
- C. While playing music- press to skip to previous track.
- D. While playing music- press to skip to next track.
- E. Play and pause audio.
- F. Turns blue when Bluetooth is active.
- G. Answering a call - Press once to answer / Press twice to reject. During a call - Press once to end the call. Redialing - Press twice.
- H. Microphone
- I. Red light turns on while charging.
- J. Press and hold to turn on Shower Speaker / Press and hold to turn off Shower Speaker.
- K. Charging jack



This device complies with Part 15 of the FCC Rules. Operation is subject to the following two conditions:
(1) This device may not cause harmful interference, and (2) this device must accept any interference received, including interference that may cause undesired operation.

Warning: Changes or modifications to this unit not expressly approved by the party responsible for compliance could void the user's authority to operate the equipment.

NOTE: This equipment has been tested and found to comply with the limits for a Class B digital device, pursuant to Part 15 of the FCC Rules. These limits are designed to provide reasonable protection against harmful interference in a residential installation. This equipment generates, uses and can radiate radio frequency energy and, if not installed and used in accordance with the instructions, may cause harmful interference to radio communications. However, there is no guarantee that interference will not occur in a particular installation. If this equipment does cause harmful interference to radio or television reception, which can be determined by turning the equipment off and on, the user is encouraged to try to correct the interference by one or more of the following measures:

- Reorient or relocate the receiving antenna.
- Increase the separation between the equipment and receiver.
- Connect the equipment into an outlet on a circuit different from that to which the receiver is connected.
- Consult the dealer or an experienced radio/TV technician for help.



Manufactured and distributed by MerchSource, LLC,
under license from Laura Ashley, Inc.
www.lauraashleyusa.com

©2018 Laura Ashley, Inc. All rights reserved.
©2018 MerchSource, LLC. All rights reserved.

For technical support, please visit
www.merchsource.com or call 1-800-374-2744
Irvine, CA 92618.

The Bluetooth® word mark and logos are registered trademarks owned by Bluetooth SIG, Inc. Computers, tablets, Smart Phones, and music players must have built-in BLUETOOTH® wireless technology to connect. This product is not affiliated with or endorsed by any of the above mentioned, referenced or pictured trademarks, companies or devices.

The artwork and design of this instruction manual are protected by US copyright law and may not be reproduced, distributed, displayed, published or used for any purpose without prior written permission. It is not permitted to alter, remove or reproduce any trademarks or copyright notice from this manual.

RECYCLE WARNING
PLEASE RECYCLE OR DISPOSE OF ELECTRONICS PROPERLY
RECYCLING INFORMATION IS ONLINE AT WWW.MERCHSOURCE.COM

Printed in China