

Quick Start

1. Download the Ring app.

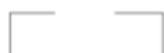
The Ring app walks you through setting up and managing your Wall Light Solar.

2. Set up and install your Ring Bridge.

Your Bridge connects your Wall Light Solar to the Ring app.

3. Open the Ring app and tap Set Up a Device.

Select **Smart Lighting** and scan this QR code. Then, just follow the in-app instructions to install and set up this device.

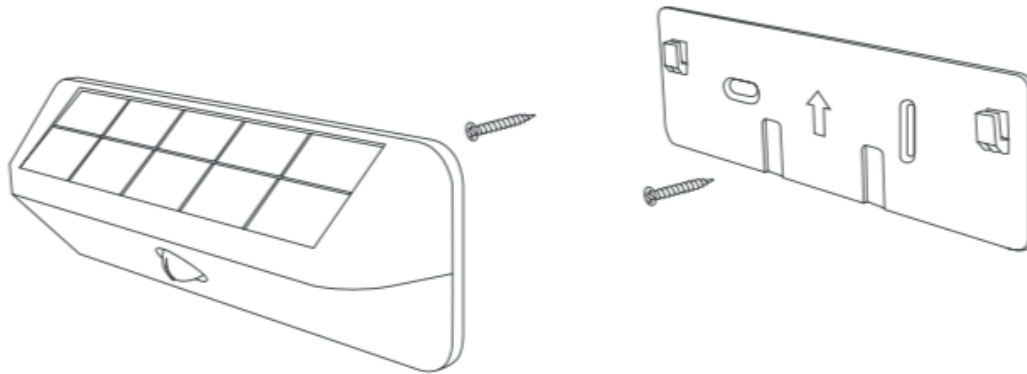


QR+FR



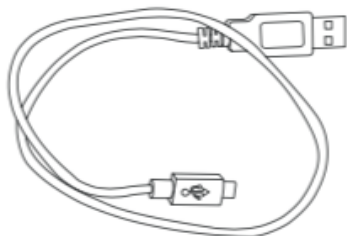
For additional help, visit:
ring.com/help

Installation



Wall Anchors

Use if installing on brick or stucco.



USB Charging Cable

Use this to charge your Wall Light before you install it. When the lights stop flashing and remain on, your Wall Light is ready to install.

©2021 Ring LLC or its affiliates. Ring and all related marks are trademarks of Ring LLC or its affiliates.

XXXXXXXXXXXXXX

Important Product Information

ring



SAFETY INFORMATION: FAILURE TO FOLLOW THESE SAFETY INSTRUCTIONS COULD RESULT IN FIRE, ELECTRIC SHOCK, OR OTHER INJURY OR DAMAGE.

Small parts may pose choking hazards. Keep device and box contents out of reach of children. Your device can withstand outdoor use and has been tested to withstand water projected through a 12.5mm nozzle at a volume of 100 liters per minute and a pressure of 100 kPa at a distance of 3 meters for at least 3 minutes. However, your device is not intended for underwater use. To protect against electric shock, do not intentionally submerge or immerse your device in water or expose your device to other liquids. Do not spill any food or beverages on your device. Do not attempt to clean or polish your device with or expose your device to oil, lotion, or other abrasive substances. Do not expose your device to pressurized water, high velocity water, or extremely humid conditions (such as a steam room). Do not attempt to dry your device with an external heat source, such as a microwave oven or a hair dryer. To avoid risk of electric shock, do not touch your device or any wires connected to your device during a lightning storm while your device is plugged in. If your device appears to be damaged, discontinue use immediately.



BATTERY SAFETY

HANDLE WITH CARE. This device may require batteries for use. Only use battery types that are specified for use with your device to power your device. Do not use any other type of battery to power your device. Do not mix old and new batteries. Install batteries with correct polarity. Do not disassemble, open, crush, bend, deform, puncture, or shred the battery in your device. Do not modify or remanufacture the battery, attempt to insert foreign objects into the battery, or immerse or expose it to water or other liquids, expose to fire, explosion or other hazard. Do not short-circuit the battery or allow metallic conductive objects to come into contact with battery terminals. Avoid dropping the device or battery. If the device or battery is dropped, especially on a hard surface, and the user suspects damage, do not attempt repair. Contact Ring Customer Service for assistance. Keep batteries out of reach of children. Remove all batteries before storing your device for an extended period of time. Replace batteries at regular intervals. Dispose of all batteries in accordance with applicable laws and regulations.

Your device contains a removable, rechargeable lithium-ion Ring-branded battery. Only use the USB charging cable or solar panel that is provided in-box to recharge the battery. Do not use the battery with any device for which it has not been specified. Use of an unqualified battery or charger may present a risk of fire, explosion, leakage or other hazard..

Product Specifications

Device Name: Ring Smart Lighting Wall Light Solar

Model Number: 5D22E5

Electrical rating: 5V DC 1A, 2 x 18650 Li-ion battery

Operating conditions: -4°F to 122°F (-20°C to 50°C)

This device complies with Part 15 of the FCC Rules. Operation is subject to the following two conditions: (1) this device may not cause harmful interference, and (2) this device must accept any interference received, including interference that may cause undesired operation.

NOTE: This equipment has been tested and found to comply with the limits for a Class B digital device, pursuant to Part 15 of the FCC Rules. These limits are designed to provide reasonable protection against harmful interference in a residential installation. This equipment generates, uses and can radiate radio frequency energy and, if not installed and used in accordance with the instructions, may cause harmful interference to radio communications. However, there is no guarantee that interference will not occur in a particular installation. If this equipment does cause harmful interference to radio or television reception, which can be determined by turning the equipment off and on, the user is encouraged to try to correct the interference by one or more of the following measures:

- Reorient or relocate the receiving antenna.
- Increase the separation between the equipment and receiver.
- Connect the equipment into an outlet on a circuit different from that to which the receiver is connected.
- Consult the dealer or an experienced radio/TV technician for help.

Pursuant to Section 15.21 of the FCC rules, changes or modifications to a Product by the user that are not expressly approved by the party responsible for compliance could void the user's authority to operate the equipment.

The device meets the FCC Radio Frequency Emission Guidelines. Information on the product is on file with the FCC and can be found by inputting such Product's FCC ID (which can be found on the device) into the FCC ID Search form available at <https://www.fcc.gov/oet/ea/fccid>.

The party responsible for FCC compliance is:
Ring LLC, 1523 26th St, Santa Monica, CA USA, 90404

Information Regarding Exposure to Radio Frequency Energy

The output power of the radio technology used in the Product is below the radio frequency exposure limits set by the FCC. This device should be installed and operated with a minimum distance of 20cm between the radiator and your body. It is advised to use the Product in such a manner that minimizes the potential for human contact during normal operation.

RECYCLING YOUR DEVICE PROPERLY

In some areas, the disposal of certain electronic devices is regulated. Make sure you dispose of, or recycle, your device in accordance with your local laws and regulations. For information about recycling your device, go to www.amazon.com/devicesupport.

Terms of Service and Warranty

By purchasing or using the product, you agree to the Terms of Service found at ring.com/terms.

For information on our warranty and Ring Protect Plans, see ring.com/legal.

Ring LLC 1523 26th St. Santa Monica, CA 90404 USA

© 2021 Ring LLC or its affiliates.

Ring and all related marks are trademarks
of Ring LLC or its affiliates.

XXXXXXXXXXXX



IMPORTANT PRODUCT INFORMATION

FOR UNITES STATES CUSTOMERS

This device complies with Part 15 of the FCC Rules. Operation is subject to the following two conditions: (1) this device may not cause harmful interference, and (2) this device must accept any interference received, including interference that may cause undesired operation. Information on this device is on file with the FCC and can be found by inputting the device's FCC ID into the FCC ID Search form available at <https://www.fcc.gov/oet/ea/fccid>.

The output power of the radio technology used in the Products is below the radio frequency exposure limits set by the FCC. Nevertheless, it is advised to use the product in such a manner that minimizes the potential for human contact during normal operation. This device should be installed and operated with at least 20 cm between the radiator and your body.

NOTE: This equipment has been tested and found to comply with the limits for a Class B digital device, pursuant to Part 15 of the FCC Rules. These limits are designed to provide reasonable protection against harmful interference in a residential installation. This equipment generates, uses and can radiate radio frequency energy and, if not installed and used in accordance with the instructions, may cause harmful interference to radio communications. However, there is no guarantee that interference will not occur in a particular installation. If this equipment does cause harmful interference to radio or television reception, which can be determined by turning the equipment off and on, the user is encouraged to try to correct the interference by one or more of the following measures:

- Reorient or relocate the receiving antenna.
- Increase the separation between the equipment and receiver.
- Connect the equipment into an outlet on a circuit different from that to which the receiver is connected.
- Consult the dealer or an experienced radio/TV technician for help.

Caution: Any changes or modifications to this device not explicitly approved by manufacturer could void your authority to operate this equipment.

For information about recycling your device, go to www.amazon.com/devicesupport

FOR CANADIAN CUSTOMERS

Innovation, Science and Economic Development Canada (ISED) Compliance.

This device contains licence-exempt transmitter(s)/receiver(s) that comply with Innovation, Science and Economic Development Canada's licence-exempt RSS(s). Operation is subject to the following two conditions:

- (1) This device may not cause interference.
- (2) This device must accept any interference, including interference that may cause undesired operation of the device.

Caution: Any changes or modifications to this device not explicitly approved by manufacturer could void your authority to operate this equipment.

Information Regarding Exposure to Radio Frequency Energy

This equipment complies with IC RSS-102 RF exposure limits set forth for an uncontrolled environment.

This equipment should be installed and operated with a minimum distance of 20 cm between the radiator and your body.

POUR LES CLIENTS CANADIENS

Conformité Innovation Sciences et Développement Économique Canada (ISED)

L'émetteur/récepteur exempt de licence contenu dans le présent appareil est conforme aux CNR d'Innovation, Sciences et Développement économique Canada applicables aux appareils radio exempts de licence. L'exploitation est autorisée aux deux conditions suivantes :

- (1) l'appareil ne doit pas produire de brouillage.
- (2) l'appareil doit accepter tout brouillage radioélectrique subi, même si le brouillage est susceptible d'en compromettre le fonctionnement.

Renseignements relatifs à l'exposition à l'énergie des radiofréquences

Cet équipement est conforme aux limites d'exposition IC CNR-102 prévues pour des environnements non contrôlés.

Cet équipement doit être installé et utilisé avec un minimum de 20 cm de distance entre la source de rayonnement et votre corps.

CAN ICES-3 (B)/NMB-3(B)

