



ring



Floodlight Battery  
Smart Lighting





# 1. Set up your Floodlight.

## Download the Ring app.

The app walks you through setting up and managing your Ring Floodlight Battery.

Search for “Ring” in one of these app stores, or visit: [ring.com/app](http://ring.com/app)



## Set up your Ring Bridge.

The Bridge connects your Ring Smart Lights to the Ring app and other compatible Ring devices.

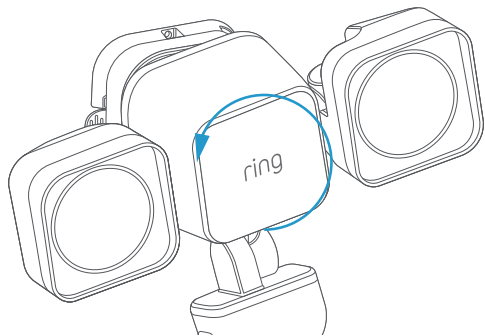
To set up your Bridge, follow the instructions in the Ring app or the Bridge user manual.





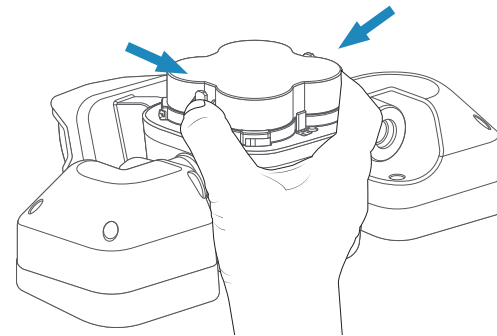
## Remove the back cover.

Twist your Floodlight counter-clockwise to unlock and separate it from the back cover.



## Remove the battery lid.

Press the side buttons on the battery lid to remove it and open the battery compartment.

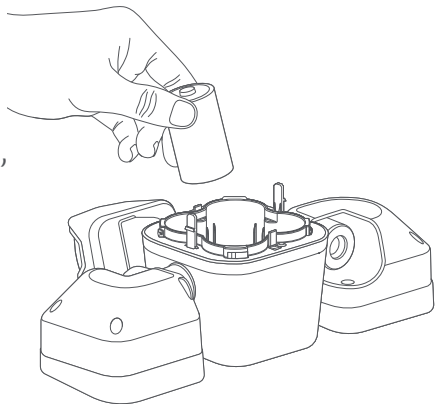




## Insert the batteries.

Insert four D Cell batteries (not included), matching the flat ends with the springs.

Then place the lid onto the compartment and push down to snap it into place.

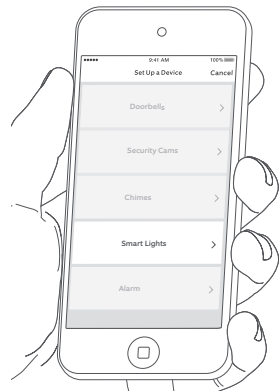


## Set up your Floodlight Battery in the Ring app.

In the app, tap **Set Up a Device**.

When prompted, select **Smart Lights** and follow the in-app instructions.

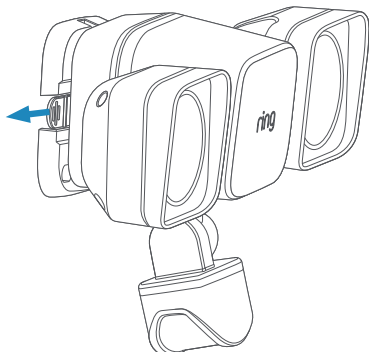
After setup, replace the back cover (be sure to line up the arrows).



## 2. Install your Floodlight.

### Remove the mounting plate.

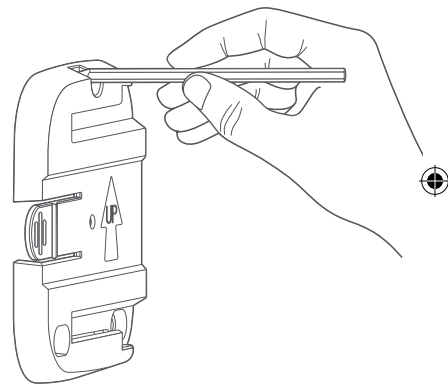
Press the tab on the side and slide the mounting plate off of the back cover.



### Mark pilot holes.

If installing on a masonry surface, use the mounting plate as a template to mark pilot holes, making sure the "UP" arrow is pointing upwards.

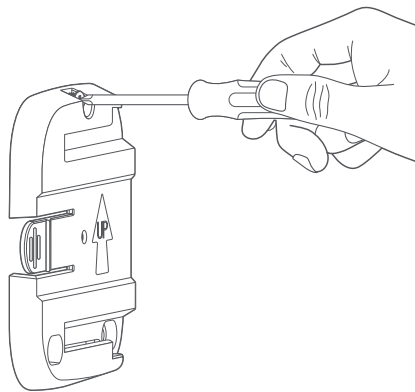
Then drill the holes and insert the anchors.





## Drive the screws.

Hold the mounting plate firmly against the surface and drive the three mounting screws.

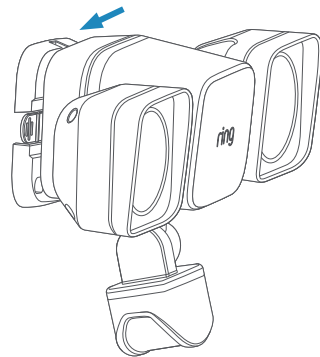


## Mount your Floodlight.

Align your Floodlight with the mounting plate and slide it to the left to lock it in.



The motion sensor is adjustable. Try various angles to find the best setting for your home.





For additional help, visit: [ring.com/help](http://ring.com/help)

Or give us a call...

[US 1 800 656 1918](tel:18006561918)

[Canada 1 855 300 7289](tel:18553007289)

[Worldwide +1 310 929 7085](tel:+13109297085)

For a list of all our customer support numbers, visit: [ring.com/callus](http://ring.com/callus)

To review your warranty coverage, please visit [www.ring.com/warranty](http://www.ring.com/warranty).

Patents: [www.ring.com/patents](http://www.ring.com/patents)

© 2019 Ring LLC or its affiliates.

Ring, Alexa, Always Home, and all related logos are trademarks of Amazon.com, Inc. or its affiliates.

Last updated: 01/08/19



70mm

ring

1523 26th St.  
Santa Monica, CA 90404

Models: Ring Motion Sensor (5SM1S8), Ring Spotlight (5B11S8), Ring Steplight (5LD1S8), Ring Pathlight (5LP1Y8), Ring Floodlight Battery (5B21S8), Ring Floodlight Wired (5W21S8), Ring Transformer (5AT1S9)

#### Canada

CAN ICES-3 (B)/NMB-3(B)

Innovation, Science and Economic Development Canada (ISED) Compliance. This device contains license-exempt transmitter(s)/receiver(s) that comply with Innovation, Science and Economic Development Canada's license-exempt RSS(s). Operation is subject to the following two conditions: (1) this device may not cause interference, and (2) this device must accept any interference, including interference that may cause undesired operation of the device.

Conformité Innovation Sciences et Développement Économique Canada (ISDE)  
L'émetteur/récepteur exempt de licence contenu dans le présent appareil est conforme aux CNR d'Innovation, Sciences et Développement économique Canada applicables aux appareils radio exempts de licence. L'exploitation est autorisée aux deux conditions suivantes : (1) l'appareil ne doit pas produire de brouillage, et (2) l'utilisateur de l'appareil doit accepter tout brouillage radioélectrique subi, même si le brouillage est susceptible d'en compromettre le fonctionnement

Caution: Any changes or modifications to this device not explicitly approved by manufacturer could void your authority to operate this equipment.

Information Regarding Exposure to Radio Frequency Energy: This equipment complies with IC RSS-102 RF exposure limits set forth for an uncontrolled environment.

Informations concernant l'exposition aux radiofréquences: Cet équipement est conforme aux limites d'exposition aux rayonnements IC établies pour un environnement non contrôlé.

#### MPE Reminding

This equipment should be installed and operated with minimum distance 20 cm between the radiator and your body.

Cet équipement doit être installé et utilisé avec un minimum de 20 cm de distance entre la source de rayonnement et votre corps.

#### United States

This device complies with Part 15 of the FCC Rules. Operation is subject to the following two conditions: (1) this device may not cause harmful interference, and (2) this device must accept any interference received, including interference that may cause undesired operation.

Changes or modifications to this unit not expressly approved by the party responsible for compliance could void the user's authority to operate the equipment. Information on this device is on file with the FCC and can be found by inputting the device's FCC ID into the FCC ID Search form available at <https://www.fcc.gov/oet/ea/fccid>.

The output power of the radio technology used in the Products is below the radio frequency exposure limits set by the FCC. Nevertheless, it is advised to use the Products in such a manner that minimizes the potential for human contact during normal operation. This device should be installed and operated with at least 20 cm between the radiator and your body.

#### General

NOTE: This equipment has been tested and found to comply with the limits for a Class B digital device, pursuant to Part 15 of the FCC Rules. These limits are designed to provide reasonable protection against harmful interference in a residential installation. This equipment generates, uses and can radiate radio frequency energy and, if not installed and used in accordance with the instructions, may cause harmful interference to radio communications.

108mm





However, there is no guarantee that interference will not occur in a particular installation. If this equipment does cause harmful interference to radio or television reception, which can be determined by turning the equipment off and on, the user is encouraged to try to correct the interference by one or more of the following measures:

Reorient or relocate the receiving antenna.

Increase the separation between the equipment and receiver.

Connect the equipment into an outlet on a circuit different from that to which the receiver is connected.

Consult the dealer or an experienced radio/TV technician for help.

Caution: Any changes or modifications to this device not explicitly approved by manufacturer could void your authority to operate this equipment.

**Electrical ratings:**

Motion Sensor: 3 x AAA-cell batteries

Spotlight: 4 x D-cell batteries

Steplight: 3 x C-cell batteries

Pathlight: 4 x D-cell batteries

Floodlight Battery: 4 x D-cell batteries

Floodlight Wired: 110-240 VAC, 50-60 Hz

Transformer: 120 VAC, 60 Hz, 200 W maximum load

This device may require batteries for use. Only use the specified battery types. Never mix old and new batteries. Install batteries with correct polarity. Do not mix Alkaline, Standard Carbon Zinc, Rechargeable Nickel Cadmium or Nickel Metal Hydride batteries. Keep all of the batteries out of the reach of children. Do not open, disassemble, puncture, cut, bend, shred or heat the batteries. Remove all batteries if they are worn out or before storing your device for an extended period of time. Dispose of all batteries in accordance with applicable laws and regulations and do not dispose of batteries by throwing them into a fire. If any batteries begin to leak, take steps to prevent the fluid from coming into direct contact with skin or clothes as the fluid could be corrosive and may be toxic. Remove the batteries and clean the battery compartment in accordance with the battery manufacturer's recommendations.

**Operating conditions:**

Floodlight Battery: -4°F to 122°F (-20°C to 50°C)

Floodlight Wired: -4°F to 118°F (-20°C to 48°C)

Motion Sensor: -4°F to 122°F (-20°C to 50°C)

Pathlight: -4°F to 122°F (-20°C to 50°C)

Spotlight: -4°F to 122°F (-20°C to 50°C)

Steplight: -4°F to 122°F (-20°C to 50°C)

Transformer: -4°F to 122°F (-20°C to 50°C)

Small parts may pose choking hazards. Keep device and box contents out of reach of children.

To review your warranty coverage, please visit [www.ring.com/warranty](http://www.ring.com/warranty)

Patents: [www.ring.com/patents](http://www.ring.com/patents)

© 2019 Amazon.com, Inc. or its affiliates.

RING, ALWAYS HOME, ALEXA, and all related logos are trademarks of Amazon.com, Inc. or its affiliates.

Version 1.1