

ring

Stick Up Cam
Battery



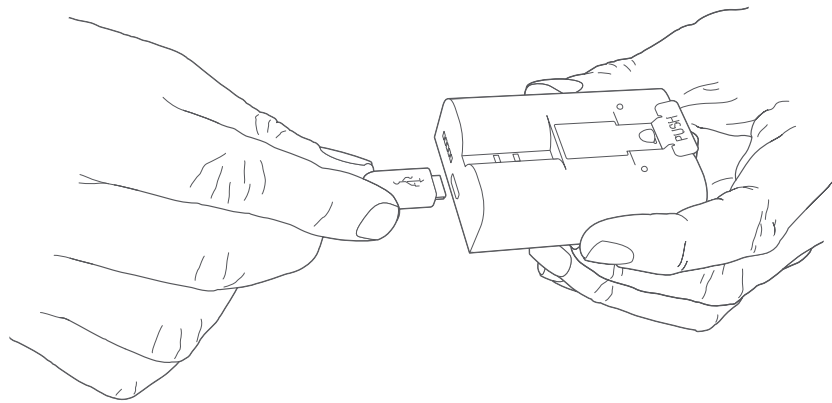
1. Charge and insert the battery

Charge the provided battery.

First, fully charge the battery by plugging it into a USB port using the provided orange cable.

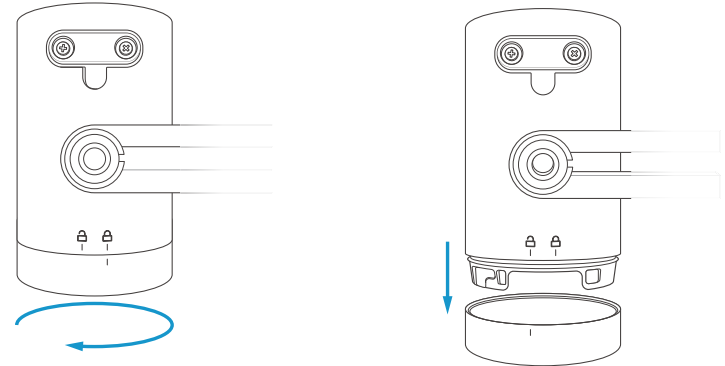
The battery is fully charged when just one LED is lit.

 = Charging  = Charged



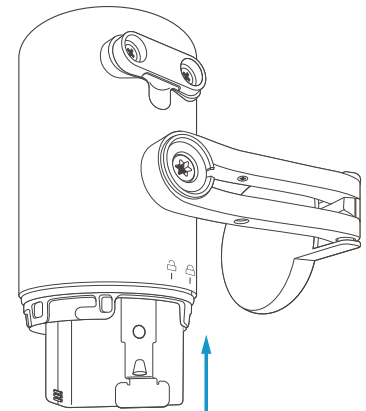
Remove the battery cover.

Twist the battery cover counterclockwise to unlock, then remove it from your Stick Up Cam.



Insert the battery

After charging, insert the battery into the bottom of your Stick Up Cam until it clicks into place.



2. Set up your Stick Up Cam Battery in the Ring app.

Download the Ring app.

The app walks you through setting up and managing your Stick Up Cam Battery.

Search for “Ring” in one of the app stores below, or visit: ring.com/app



Grab your Wi-Fi password.

You'll need it to set up your Stick Up Cam. Write it down below so it's handy when you need it:

4

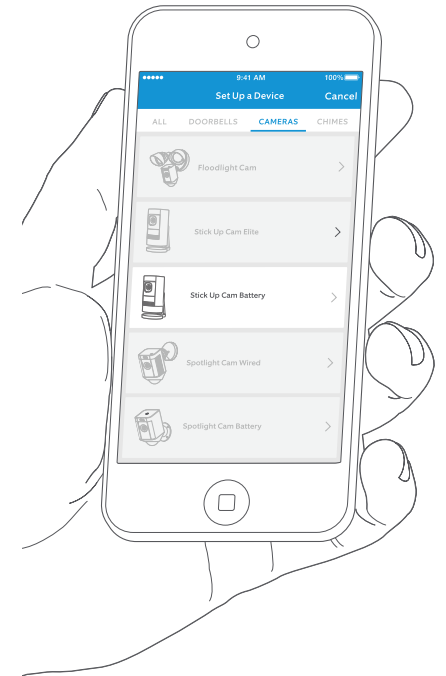
Set up your Stick Up Cam in the Ring app.

In the Ring app, select **Set Up a Device**.

When prompted, select **Stick Up Cam Battery** and follow the in-app instructions.

Try it out!

After setup, tap the Live View button in the Ring app to see live video from your Stick Up Cam.



Blue light flashing?

If the light on the front of your Stick Up Cam Battery flashes after setup, it may be powering up or updating its software.

When the flashing stops, Stick Up Cam is ready to use.

5

3. Install your Stick Up Cam Battery.

Choose a location.

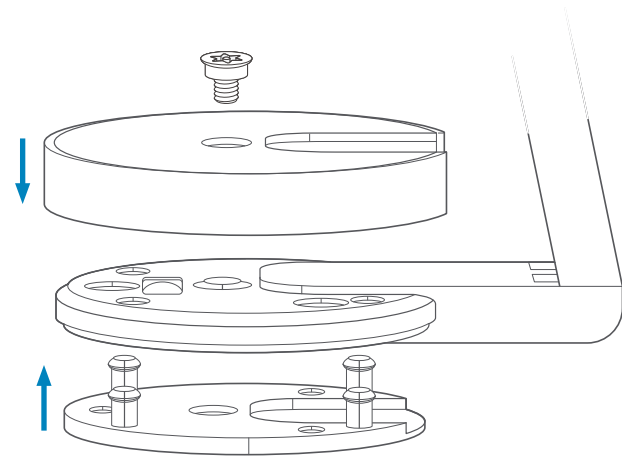
Stick Up Cam is happy just about anywhere, indoors or out. It can sit on its own stand, or mount to a wall or ceiling.

Simply pick any spot where it can provide the view you want.

Installing on a shelf or table?

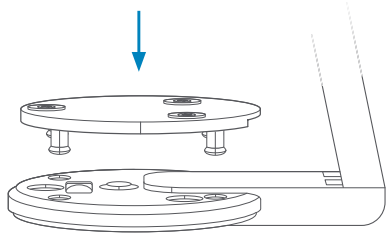
Simply snap the cover on the top of the base, and push the rubber pad into the bottom of the base. Then insert and tighten the security screw.

That's it! You can skip to the next section.

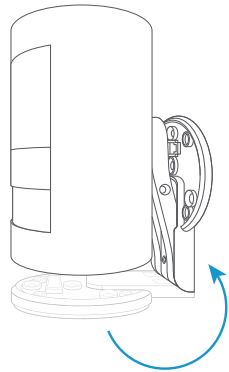


Mounting on a wall?

Push the rubber pad into the top of the base.



Flip the base toward the rear.

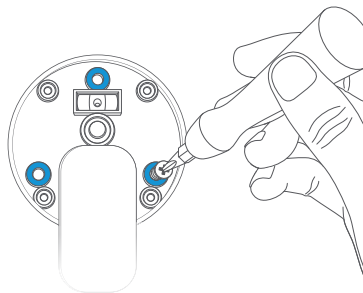


Drive the screws.

Hold the circular part of the base against your wall, rubber-side down. Use the integrated level to ensure it's straight.

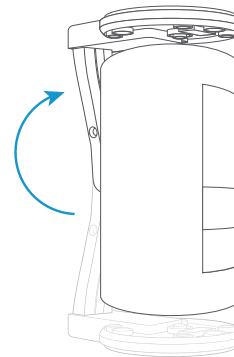
Then, mount it with the included screws.

Finally, snap the cover onto the base and install the security screw.

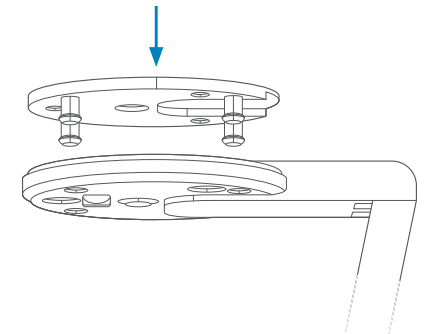


Mounting on a ceiling?

Swivel the base above the camera.



Push the rubber pad into the bottom of the base.

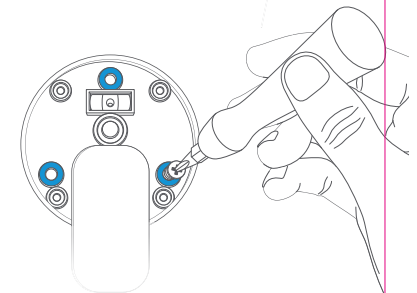


Drive the screws.

Hold the circular part of the base against your ceiling, rubber-side down.

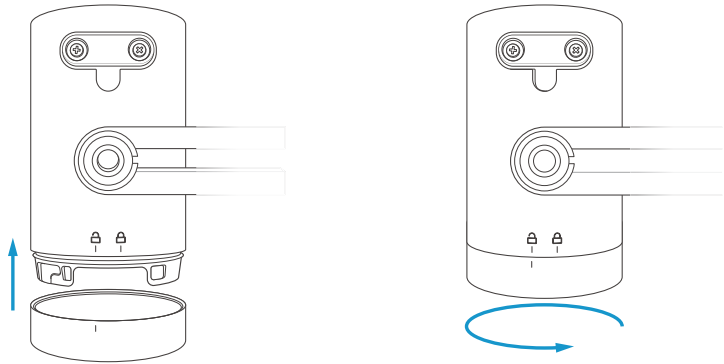
Then, mount it with the included screws.

Finally, snap the cover onto the base and install the security screw.



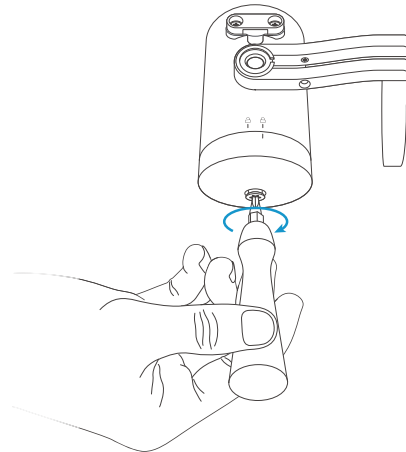
Attach the battery cover.

Line up the “open lock” symbol on the rear of your Stick Up Cam with the line on the battery cover. Then push the cover on and twist clockwise to lock it in place.



Tighten the screw.

Use the star-shaped end of your Ring screwdriver to tighten the screw on the bottom of your Stick Up Cam.



4. Need a little setup help?

If your in-app setup doesn't go as planned, try these tips:

Get your Wi-Fi password just right.

The most common setup issues come from entering the wrong Wi-Fi password. These passwords are case-sensitive, and every little error counts.

Reboot your router.

If you entered the right password but you're having no luck, try turning your Wi-Fi router off, wait 30 seconds, then turn it back on.

Then, begin setup again in the Ring app.

Need additional help?

If the problem you're having isn't addressed here, and you need further help, scan the code below with the camera app on your iPhone or a QR code scanning app on your Android device.



For additional help, visit: ring.com/help

Or give us a call...

US 1 800 656 1918

Canada 1 855 300 7289

Worldwide +1 310 929 7085

For a list of all our customer support numbers, visit:
ring.com/callus

To review your warranty coverage, please visit www.ring.com/warranty.
Patents: www.ring.com/patents
© 2018 Ring LLC or its affiliates.
RING, ALWAYS HOME, and all related logos are trademarks of Ring LLC or its affiliates.
Last updated: 08/14/18





12

2520AH650L-A03FX

155.0 mm

140.0 mm

2520AH650L-A03FX Lunar Manual 20180907

 YFY JUPITER INNOVATIVE, SUSTAINABLE PACKAGING SOLUTIONS	R1 添加料号	OFFSET: 	 IMPORTANT PRINTER CAUTION! BARCODES PHYSICALLY SCAN AND CONFIRM ALL BAR CODES ARE CORRECT BEFORE MASS PRINTING. PLEASE DO NOT SIMPLY READ THE NUMBERS AND ASSUME IT IS CORRECT. IF YOU ARE UNSURE, PLEASE STOP AND CONTACT YFY/JUPITER.
	JOB NUMBER: CLIENT:	QC CHECKS: PLEASE REFER TO USER MANUAL	
ART FILE NAME: 2520AH650L-A03FX Lunar Manual_R1		SUBSTRATE:	 ATTENTION PRINTER! COLOR MATCHING PLEASE FOLLOW THE PANTONE CALLOUTS. INK STANDARDS OR DRAWINGS FOR MATCHING INK COLORS. YOU ARE EXPECTED TO ACHIEVE THE SPECIFIED STANDARDS REGARDLESS OF SUBSTRATE AND VARNISH.
CLIENT BRAND: SUPPLIER:		PRINTS:	
BARCODE (UPC): ITEM NUMBER:		PRINTER NAME:	
PACKAGE TYPE: PACKAGE DIMS: 00.00 in x 00.00 in			

Federal Communication Commission Interference Statement

This equipment has been tested and found to comply with the limits for a Class B digital device, pursuant to Part 15 of the FCC Rules. These limits are designed to provide reasonable protection against harmful interference in a residential installation. This equipment generates, uses and can radiate radio frequency energy and, if not installed and used in accordance with the instructions, may cause harmful interference to radio communications. However, there is no guarantee that interference will not occur in a particular installation. If this equipment does cause harmful interference to radio or television reception, which can be determined by turning the equipment off and on, the user is encouraged to try to correct the interference by one or more of the following measures:

- Reorient or relocate the receiving antenna.
- Increase the separation between the equipment and receiver.
- Connect the equipment into an outlet on a circuit different from that to which the receiver is connected.
- Consult the dealer or an experienced radio/TV technician for help.

FCC Caution: Any changes or modifications not expressly approved by the party responsible for compliance could void the user's authority to operate this equipment.

This device complies with Part 15 of the FCC Rules. Operation is subject to the following two conditions: (1) This device may not cause harmful interference, and (2) this device must accept any interference received, including interference that may cause undesired operation.

This device and its antenna(s) must not be co-located or operating in conjunction with any other antenna or transmitter.

FCC Radiation Exposure Statement:

This equipment complies with FCC radiation exposure limits set forth for an uncontrolled environment. This equipment should be installed and operated with minimum distance 20cm between the radiator & your body.

For product available in the USA/Canada market, only channel 1~11 can be operated. Selection of other channels is not possible.

This device contains licence-exempt transmitter(s)/receiver(s) that comply with Innovation, Science and Economic Development Canada's licence-exempt RSS(s). Operation is subject to the following two conditions:

1. This device may not cause interference.
2. This device must accept any interference, including interference that may cause undesired operation of the device.

L'émetteur/récepteur exempt de licence contenu dans le présent appareil est conforme aux CNR d'Innovation, Sciences et Développement économique Canada applicables aux appareils radio exempts de licence. L'exploitation est autorisée aux deux conditions suivantes :

1. L'appareil ne doit pas produire de brouillage;
2. L'appareil doit accepter tout brouillage radioélectrique subi, même si le brouillage est susceptible d'en compromettre le fonctionnement.

IC Radiation Exposure Statement:

This equipment complies with IC RSS-102 radiation exposure limits set forth for an uncontrolled environment. This equipment should be installed and operated with minimum distance **20cm** between the radiator & your body.

Cet équipement est conforme aux limites d'exposition aux rayonnements IC établies pour un environnement non contrôlé. Cet équipement doit être installé et utilisé avec un minimum de 20cm de distance entre la source de rayonnement et votre corps

CAN ICES-3 (B)/NMB-3(B)