

140mm

ring



Stick Up Cam Wired

2520AH710L-B01FX

155mm



1. Set up your Stick Up Cam Wired in the Ring app.

Download the Ring app.

The app walks you through setting up and managing your Stick Up Cam Wired.

Search for “Ring” in one of the app stores below, or visit: ring.com/app



Grab your Wi-Fi password.

You'll need it to set up your Stick Up Cam.
Write it down below so it's handy when you need it:

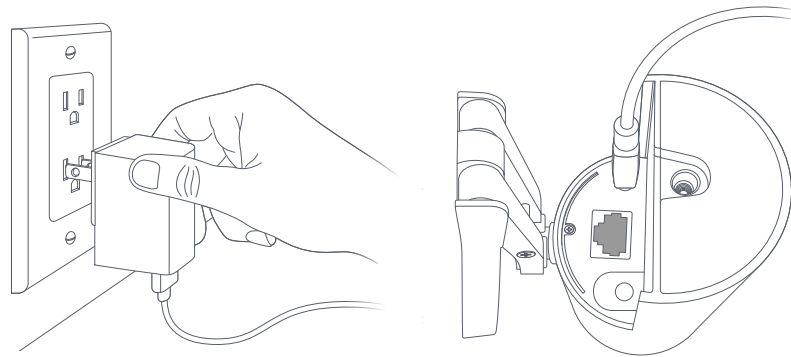
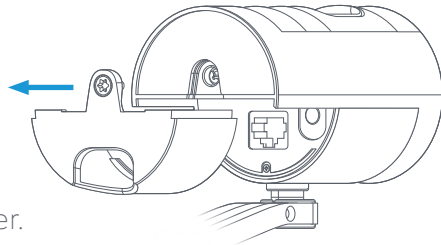
Your Wi-Fi password 

Plug in your Stick Up Cam.

Begin the setup process in the same room as your Wi-Fi router. You can move it to its intended position later.

First, slide off the bottom cover.

Then, plug your Stick Up Cam into a power outlet using the included USB cable and power supply.



If you'll be connecting Stick Up Cam using Power Over Ethernet, then use an ethernet cable to connect it to a PoE port.

4

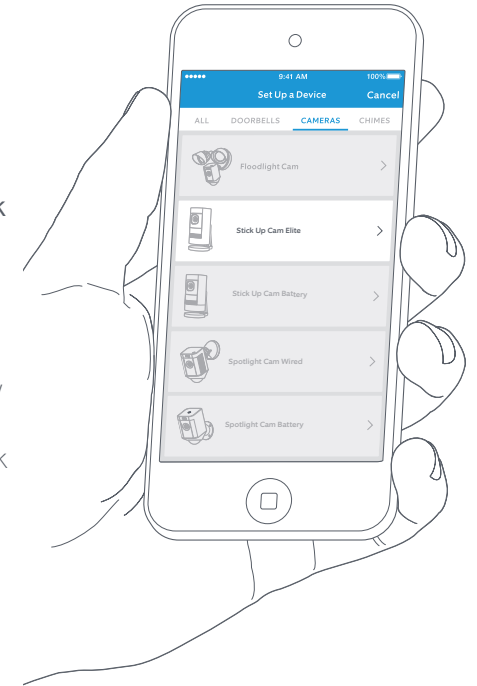
Set up your Stick Up Cam in the Ring app.

In the Ring app, select **Set Up a Device**.

When prompted, select **Stick Up Cam Wired** and follow the in-app instructions.

Try it out!

After setup, tap the Live View button in the Ring app to see live video from your Stick Up Cam.



Blue light flashing?

If the light on the front of your Stick Up Cam Wired flashes after setup, it may be updating its software.

When the flashing stops, Stick Up Cam is ready to use.

5

2. Install your Stick Up Cam Wired.

Choose a location.

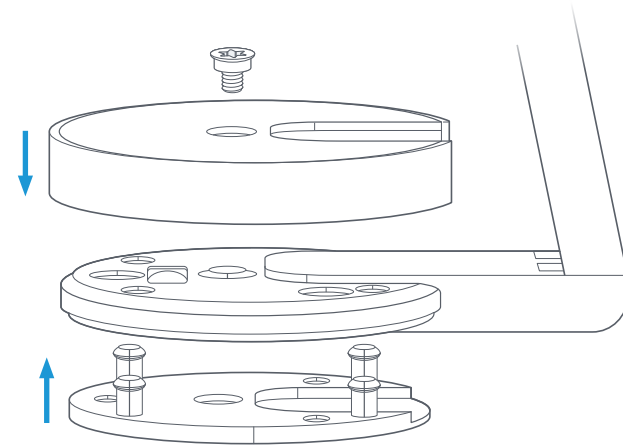
Stick Up Cam Wired is happy just about anywhere, indoors or out. It can sit on its own stand, or mount to a wall or ceiling.

Choose a spot where it can provide the view you want, within reach of a power outlet or an Ethernet port with PoE.

Installing on a shelf or table?

Simply attach the base cover to the top of the base, and push the rubber pad into the bottom of the base.

That's it! You can skip to the next section.



Mounting on a wall?

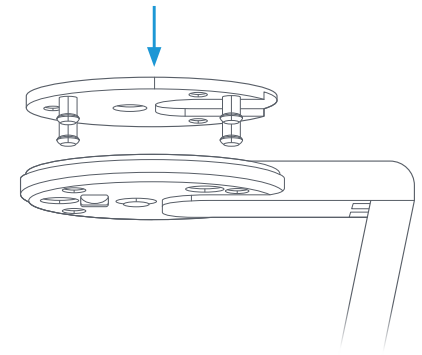
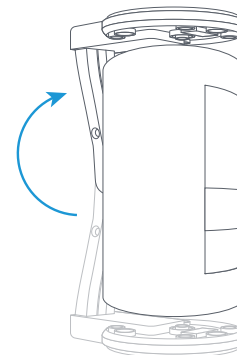
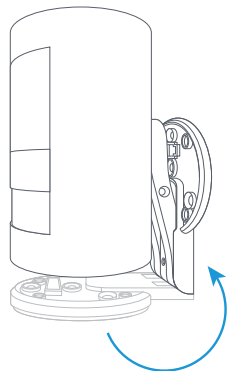
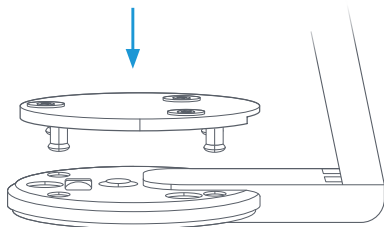
Mounting on a ceiling?

Push the rubber pad into the top of the base.

Flip the base toward the rear.

Swivel the base above the camera.

Push the rubber pad into the base.

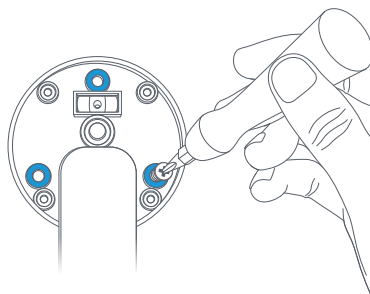


Drive the screws.

Hold the circular part of the base against your wall, rubber-side down. Use the integrated level to ensure it's straight.

Then, mount it with the included screws.

Finally, snap the cover onto the base and install the security screw.

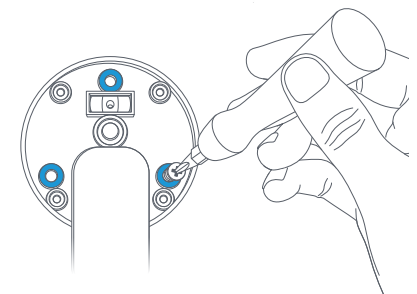


Drive the screws.

Hold the circular part of the base against your ceiling, rubber-side down.

Then, mount it with the included screws.

Finally, snap the cover onto the base and install the security screw.



You're almost done!

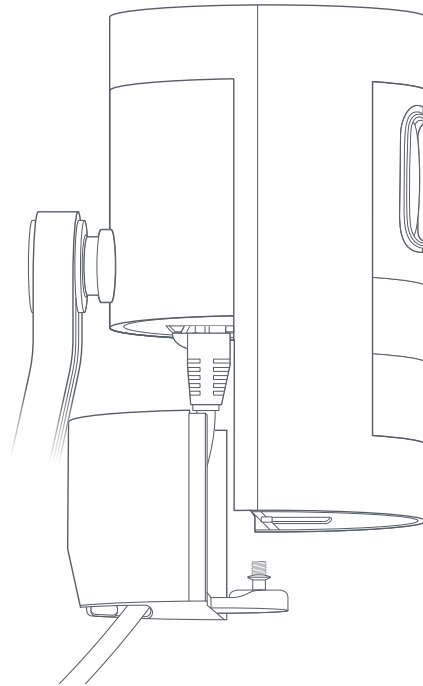
Now, just plug your Stick Up Cam back in at its final installed location, and it'll be ready to protect you.

If using USB: Plug the included USB power supply and cable into an outlet. Feed the other end through the bottom cover of your Stick Up Cam and plug it in.

If using Ethernet: Plug an Ethernet cable into a Power over Ethernet (PoE) port. Feed the other end through the bottom cover of your Stick Up Cam and plug it in. If your Ethernet port does not provide PoE, connect both Ethernet and the USB power supply.

Then, slide the bottom cover back into place over the cable connections and use the star-shaped screwdriver bit to tighten the security screw.

Once your Stick Up Cam powers up, it reconnects to the internet automatically.



3. Need a little setup help?

If your in-app setup doesn't go as planned, try these tips:

Get your Wi-Fi password just right.

The most common setup issues come from entering the wrong Wi-Fi password. These passwords are case-sensitive, and every little error counts.

Reboot your router.

If you entered the right password but you're having no luck, try turning your Wi-Fi router off, wait 30 seconds, then turn it back on.

Then, begin setup again in the Ring app.

Need additional help?

If the problem you're having isn't addressed here, and you need further help, scan the code below with the camera app on your iPhone or a QR code scanning app on your Android device.





For additional help, visit: ring.com/help

Or give us a call...

US 1 800 656 1918

Canada 1 855 300 7289

Worldwide +1 310 929 7085

For a list of all our customer support numbers, visit:
ring.com/callus

To review your warranty coverage, please visit www.ring.com/warranty.

Patents: www.ring.com/patents

© 2018 Ring LLC or its affiliates.

RING, ALWAYS HOME, and all related logos are trademarks of Ring LLC or its affiliates.

Last updated: 07/30/18

Federal Communication Commission Interference Statement

This equipment has been tested and found to comply with the limits for a Class B digital device, pursuant to Part 15 of the FCC Rules. These limits are designed to provide reasonable protection against harmful interference in a residential installation. This equipment generates, uses and can radiate radio frequency energy and, if not installed and used in accordance with the instructions, may cause harmful interference to radio communications. However, there is no guarantee that interference will not occur in a particular installation. If this equipment does cause harmful interference to radio or television reception, which can be determined by turning the equipment off and on, the user is encouraged to try to correct the interference by one or more of the following measures:

- Reorient or relocate the receiving antenna.
- Increase the separation between the equipment and receiver.
- Connect the equipment into an outlet on a circuit different from that to which the receiver is connected.
- Consult the dealer or an experienced radio/TV technician for help.

FCC Caution: Any changes or modifications not expressly approved by the party responsible for compliance could void the user's authority to operate this equipment.

This device complies with Part 15 of the FCC Rules. Operation is subject to the following two conditions: (1) This device may not cause harmful interference, and (2) this device must accept any interference received, including interference that may cause undesired operation.

This device and its antenna(s) must not be co-located or operating in conjunction with any other antenna or transmitter.

IMPORTANT NOTE:

FCC Radiation Exposure Statement:

This equipment complies with FCC radiation exposure limits set forth for an uncontrolled environment. This equipment should be installed and operated with minimum distance 20cm between the radiator & your body.

This device contains licence-exempt transmitter(s)/receiver(s) that comply with Innovation, Science and Economic Development Canada's licence-exempt RSS(s). Operation is subject to the following two conditions:

1. This device may not cause interference.
2. This device must accept any interference, including interference that may cause undesired operation of the device.

IC Radiation Exposure Statement:

This equipment complies with IC RSS-102 radiation exposure limits set forth for an uncontrolled environment. This equipment should be installed and operated with minimum distance **20cm** between the radiator & your body.

Cet équipement est conforme aux limites d'exposition aux rayonnements IC établies pour un environnement non contrôlé. Cet équipement doit être installé et utilisé avec un minimum de 20cm de distance entre la source de rayonnement et votre corps

CAN ICES-3 (B)/NMB-3(B)