



# ring

Video Doorbell 3 Plus



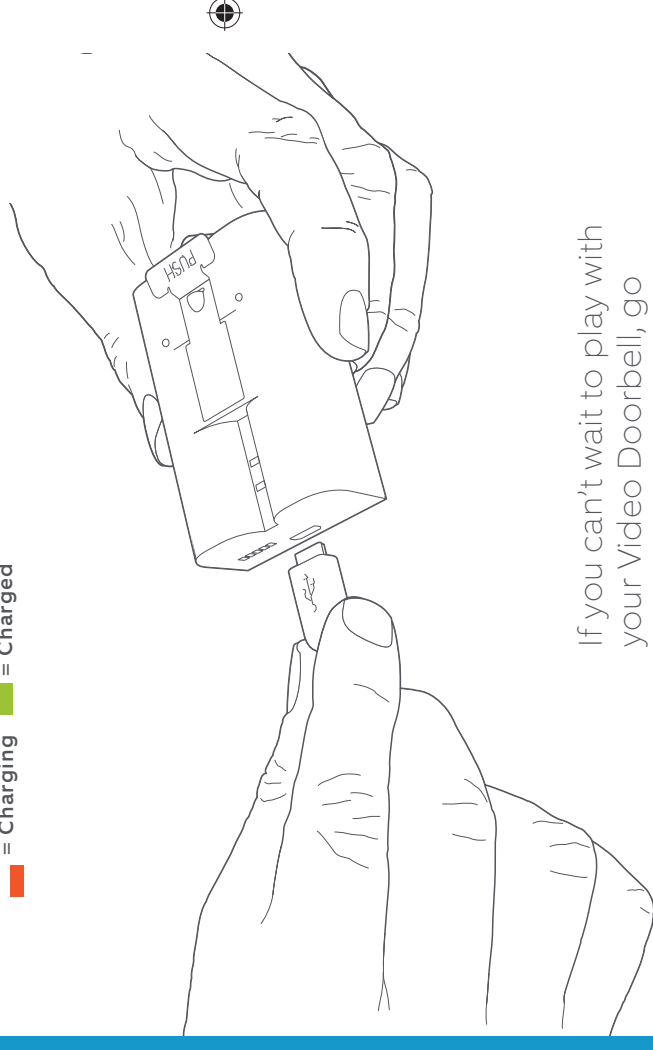
# 1. Charge the provided battery.

## Plug the battery in.

First, fully charge the battery by plugging it into a power source using the provided orange cable.

The small light on top will glow green once fully charged.

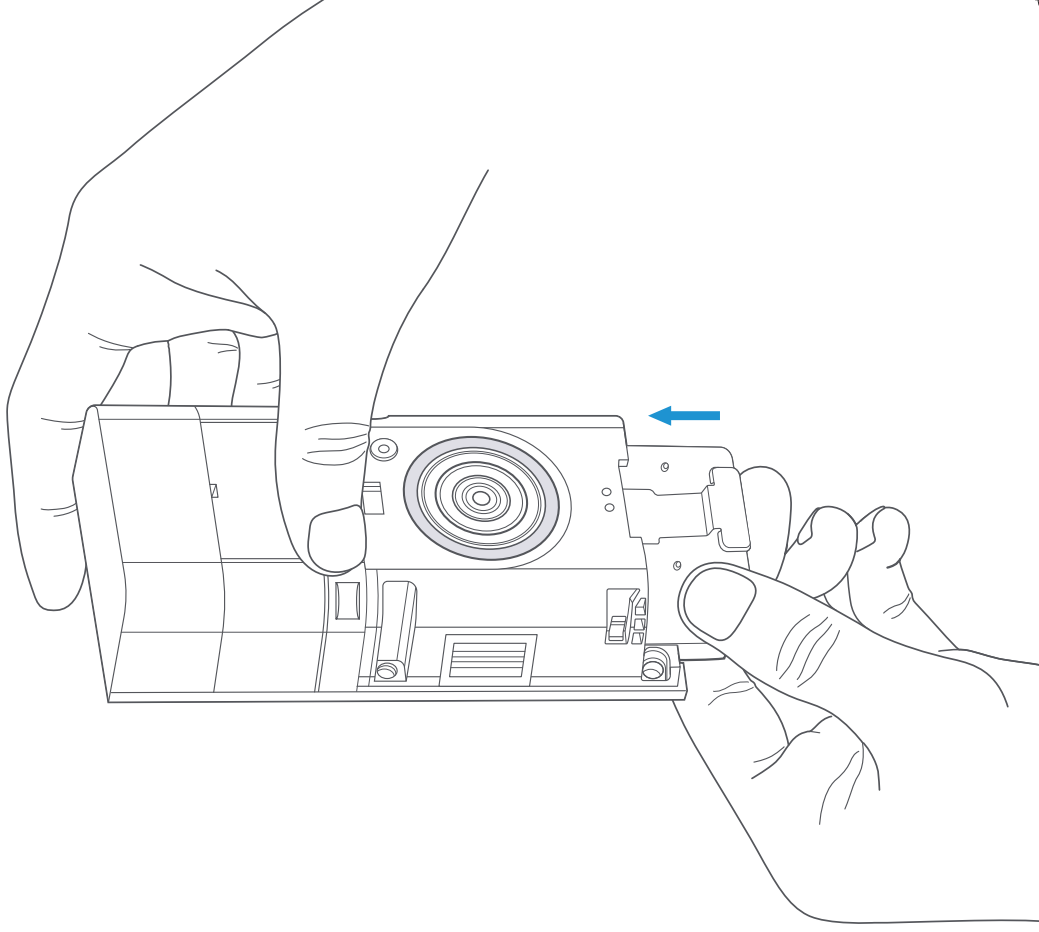
 = Charging  = Charged



If you can't wait to play with your Video Doorbell, go ahead and set it up. But, we recommend fully charging it before installation.

## Insert the battery.

After charging, insert the battery in the bottom of your Video Doorbell until it clicks into place.



## 2. Set up your Ring Video Doorbell 3 Plus in the Ring app.

## Download the Ring app.

The Ring app walks you through setting up and managing your Video Doorbell.

Search for “Ring” in one of the app stores below, or visit: [ring.com/app](http://ring.com/app)



## Set up your Video Doorbell near your Wi-Fi router.

In the Ring app, select **Set Up a Device**.

When prompted, select **Doorbells**, and follow the in-app instructions.

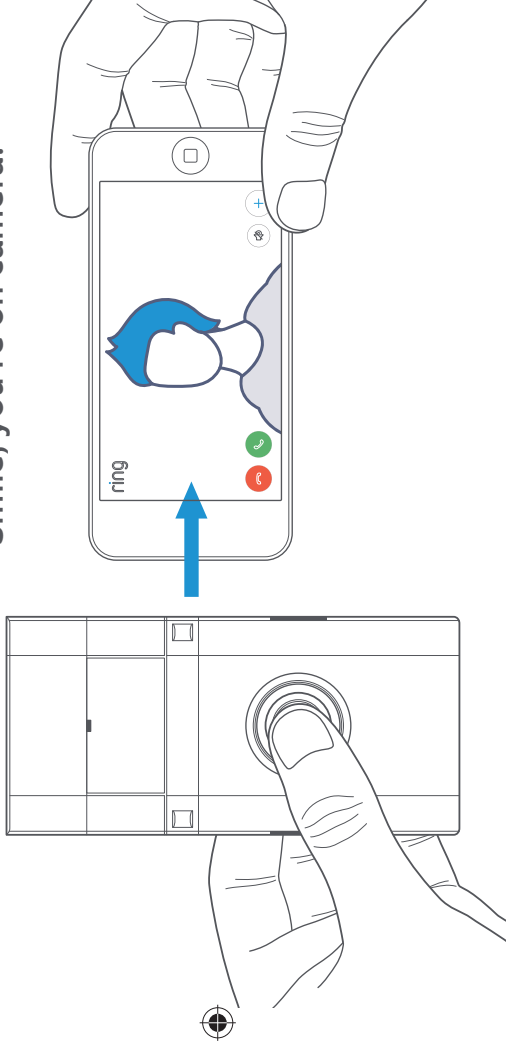
## Grab your Wi-Fi password

It's required for the in-app setup. Write it down below so it's handy when you need it:

Your Wi-Fi password 

## Try it out!

After setup, push the button on the front of your Video Doorbell to see video from the camera in the Ring app.



**Smile, you're on camera!**

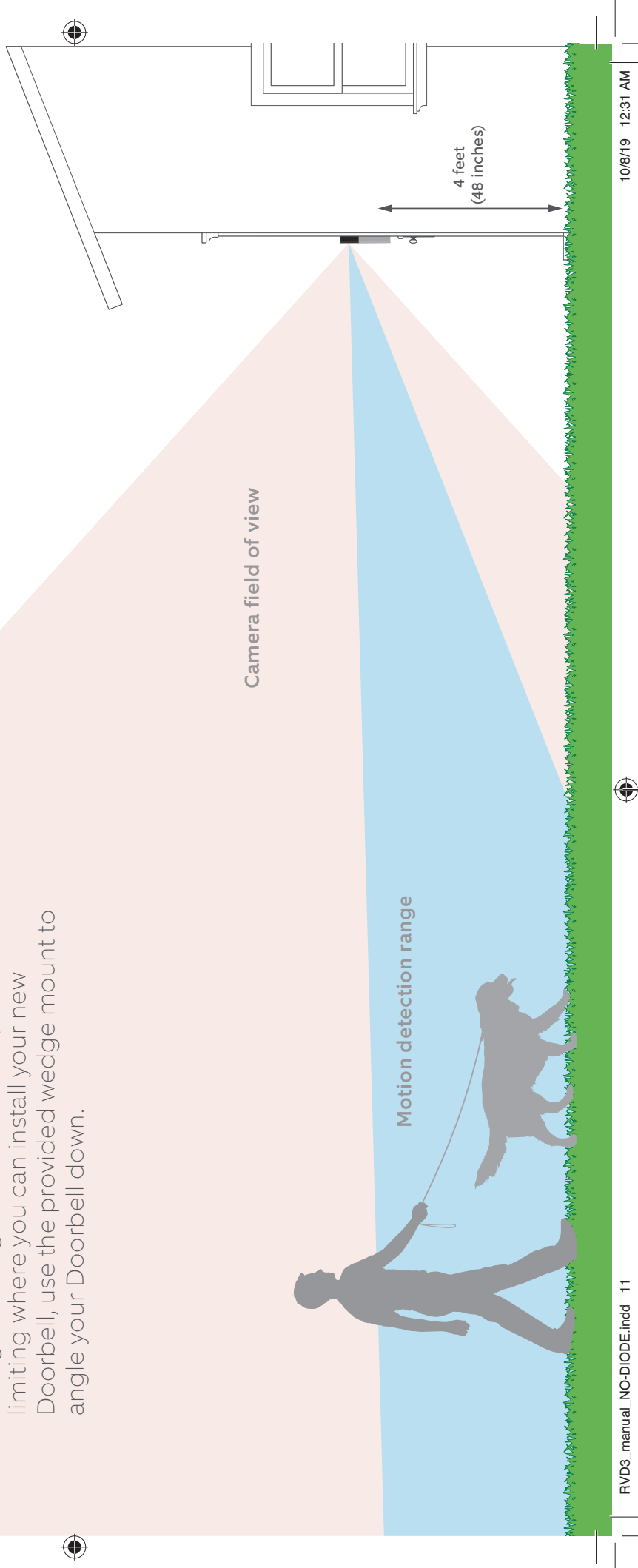
# 3. Install your Ring Video Doorbell 3 Plus

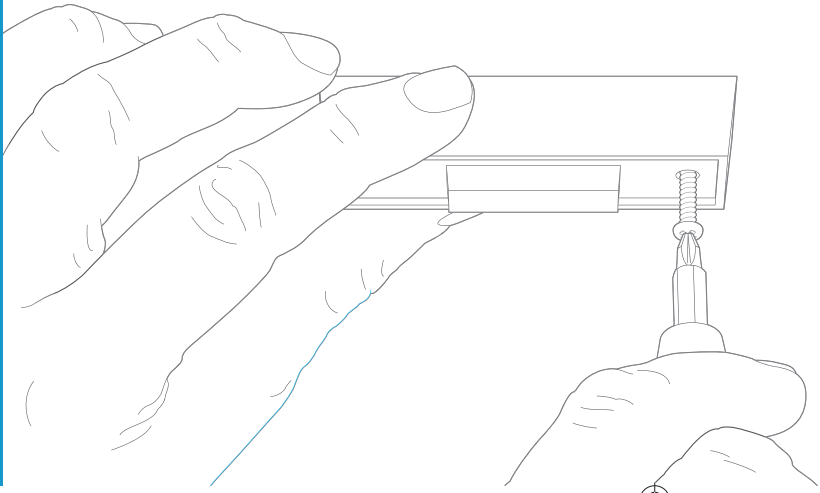


## Select your install height.

Install Video Doorbell approximately four feet above the ground for optimal performance.

If you're connecting to existing doorbell wiring that's higher than four feet, thus limiting where you can install your new Doorbell, use the provided wedge mount to angle your Doorbell down.





## Remove your existing doorbell. (optional)

If replacing an existing doorbell, shut off power at the breaker. Then remove it from the wall and disconnect the wires.

If your doorbell transformer supplies 8-24 volts AC, we suggest wiring in your Video Doorbell.

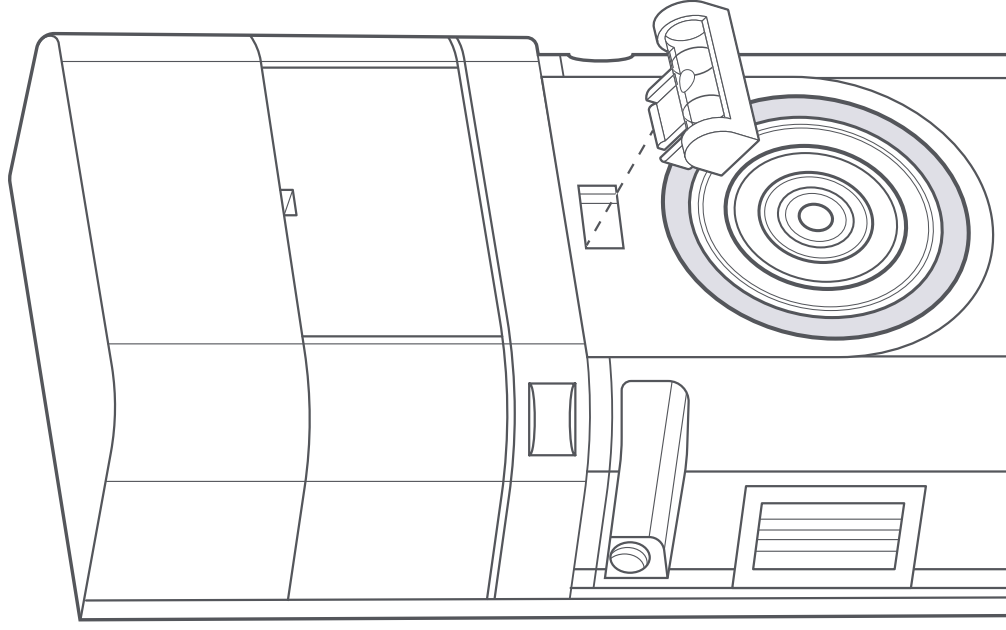
This enhances performance and extends battery life.

**i** If wiring directly to a doorbell transformer, connect a 25 ohm, 50W wirewound resistor in series with one of the doorbell wires to protect your Video Doorbell.

**i** Do not wire your Video Doorbell to a DC-powered intercom system or other DC power source.

## Insert the mini-level.

Insert the mini-level into your Video Doorbell to make sure it's even when you install it.

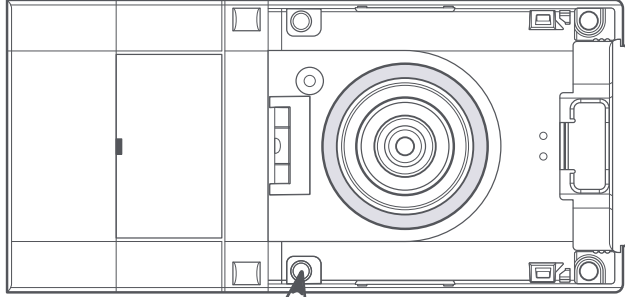


## Install the anchors. (optional)

If installing on **stucco, brick, or concrete**, mark 4 drill holes. Use the provided masonry drill bit to drill holes in your wall, then insert the included anchors.



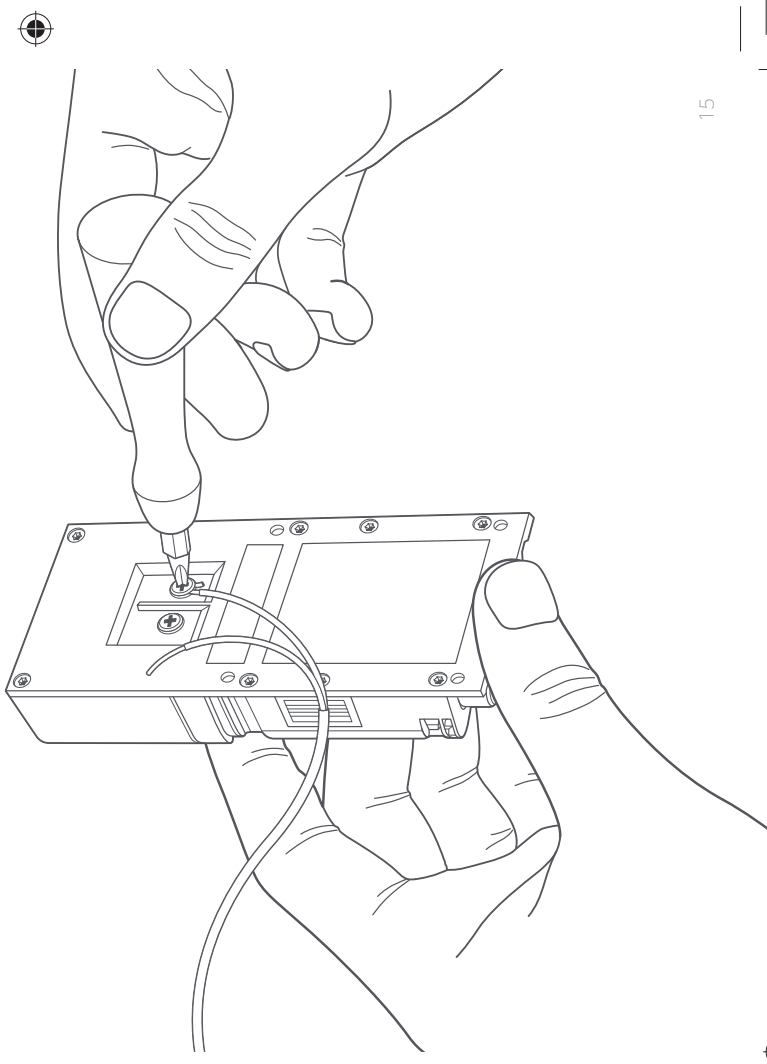
If you're installing on **wood**, skip this step and toss the anchors in that drawer of stuff you never use.



## Connect the wires. (optional)

Connect the wires coming out of your wall to the screws on the back of your Video Doorbell.

Either wire can connect to either screw. The order doesn't matter.

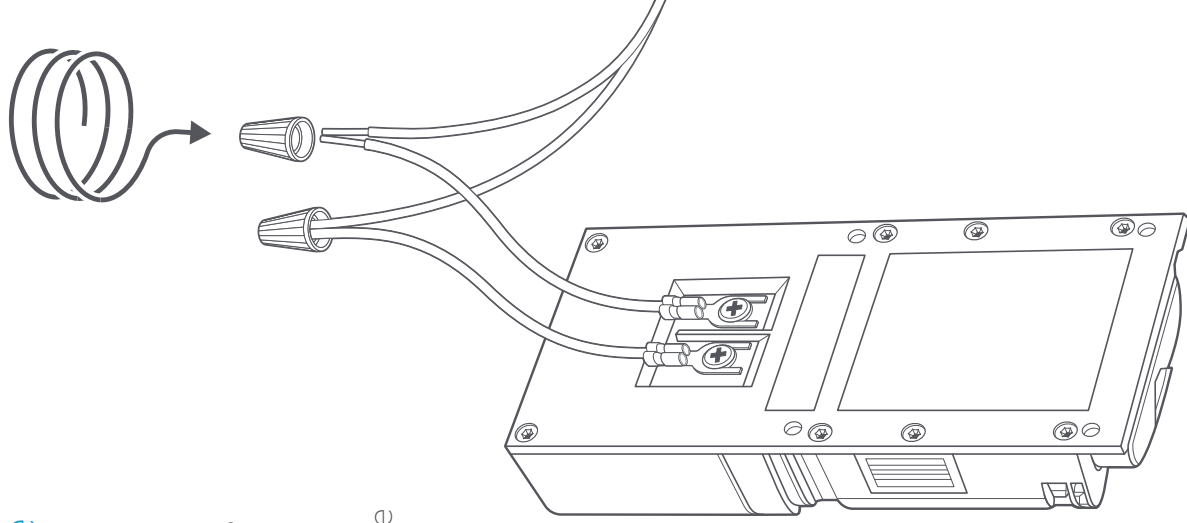






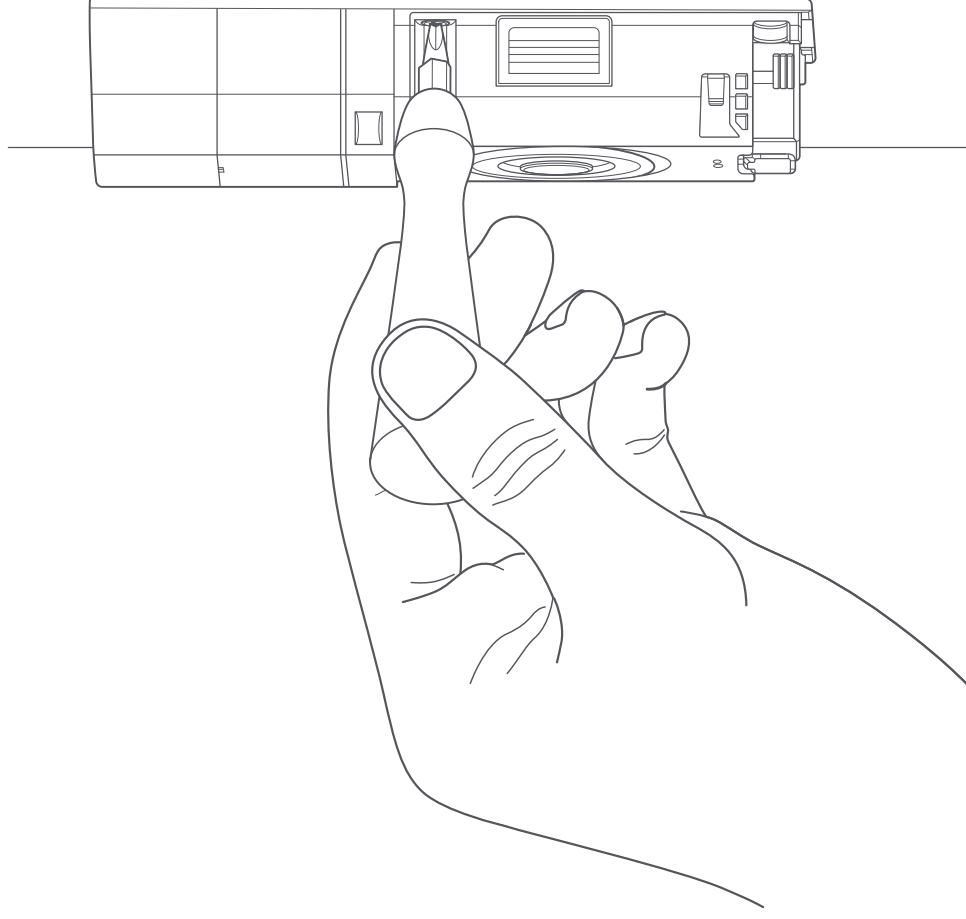
## Attach the wire extensions. (optional)

If you have trouble connecting the wires coming out of your wall to the back of your Video Doorbell, use the provided wire extensions and wire nuts.



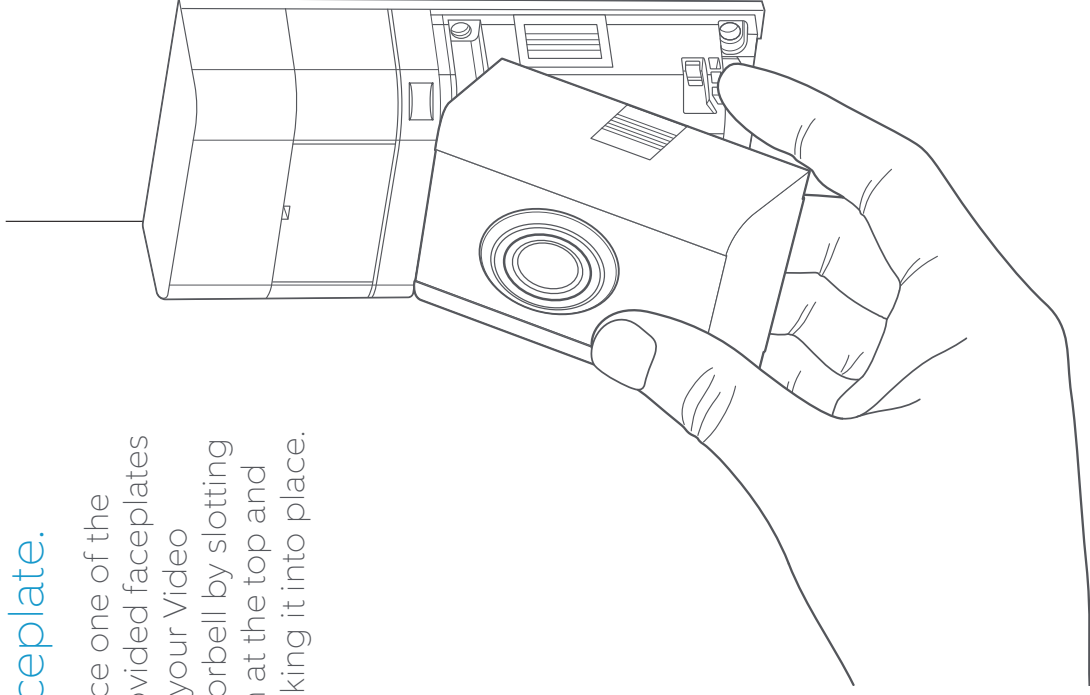
## Screw it in.

Feed all the wires (and the wire nuts, if you used them) into your wall and secure your Video Doorbell on the wall using four screws.



## Install the faceplate.

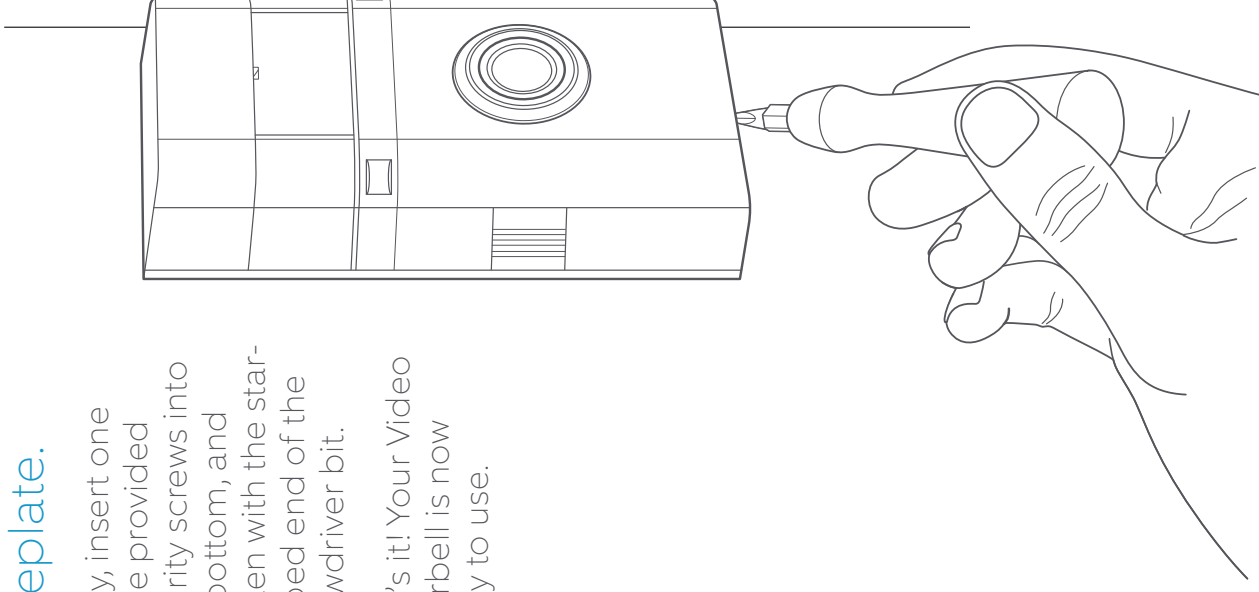
Place one of the provided faceplates on your Video Doorbell by slotting it in at the top and clicking it into place.



## Secure the faceplate.

Lastly, insert one of the provided security screws into the bottom, and tighten with the star-shaped end of the screwdriver bit.

That's it! Your Video Doorbell is now ready to use.





For additional help, visit: [ring.com/help](https://ring.com/help)

Or give us a call...

[US 1 800 656 1918](tel:18006561918)

---

[Canada 1 855 300 7289](tel:18553007289)

---

[Worldwide +1 310 929 7085](tel:+13109297085)

---

For a list of all our customer support numbers,  
visit: [ring.com/callus](https://ring.com/callus)



To review your warranty coverage, please visit [www.ring.com/warranty](https://www.ring.com/warranty).

© 2019 Ring LLC or its affiliates.

Ring and all related logos are trademarks of Ring LLC or its affiliates.





ring 1523 26th St.  
Santa Monica, CA 90404

**IMPORTANT PRODUCT INFORMATION**



**SAFETY INFORMATION**

**FAILURE TO FOLLOW THESE SAFETY INSTRUCTIONS COULD RESULT IN FIRE, ELECTRIC SHOCK, OR OTHER INJURY OR DAMAGE.**



**BATTERY SAFETY**

Keep the battery and its power adapter in a well-ventilated area and away from heat sources, especially when in use or charging. Do not charge your battery near water or in extremely humid conditions. Do not open, disassemble, bend, deform, puncture or shred the battery. Do not modify, attempt to insert foreign objects into the battery or immerse or expose to water or other liquids. Do not expose the battery to fire, explosion or other hazard. Promptly dispose of used batteries in accordance with applicable laws and regulations. If dropped and you suspect damage, take steps to prevent any ingestion or direct contact of fluids and any other materials from the battery with skin or clothes.

For best results, use type Li-Ion batteries. Install only new batteries of the same type in your product. Failure to insert batteries in the correct polarity, as indicated in the battery compartment, may shorten the life of the batteries or cause batteries to leak. Do not mix old and new batteries. Do not mix Alkaline, Standard (Carbon-Zinc) or Rechargeable (Nickel Cadmium) or (Nickel Metal Hydride) batteries. Always remove old, weak, or worn out batteries promptly and recycle or dispose of them in accordance with Local and national disposal regulations.

If a battery leaks, remove all batteries and recycle or dispose of them in accordance with battery manufacturer's recommendations. If fluid from the battery comes into contact with skin or clothes, flush with water immediately.

Protect the device from direct sunlight. Install the device at dry locations and protect it against rain and humidity. The device may not get contact to salt water or other conductive liquids. The device must be charged only within a building in a dry state.



**Safely Connecting Your Ring Video Doorbell 3 to your Home's Electrical Wiring**

If you install the Ring Video Doorbell 3 Plus where a doorbell is already in use and you connect the Ring Video Doorbell 3 Plus to your doorbell electrical wiring, you must turn off the existing doorbell's power source at your home's circuit breaker or fuse and test that the power is off BEFORE removing the existing doorbell, installing the Ring Video Doorbell 3 Plus, or touching to turn off electrical wires. Failure to turn off the power source could result in FIRE, ELECTRIC SHOCK, or OTHER INJURY or DAMAGE.

More than one disconnect switch may be required to turn off the equipment before servicing.

To test whether you have successfully de-energized your existing doorbell's power source, press your doorbell several times to confirm that the power is off.

If the electrical wiring in your home does not resemble any of the diagrams or instructions provided with Ring Video Doorbell 3 Plus, if you encounter damaged or unsafe wiring, or if you are unsure or uncomfortable in performing this installation or handling electrical wiring, please consult a qualified electrician in your area.

Only use accessories that are recommended by the manufacturer. Use of third-party accessories may lead to damage to your Ring Video Doorbell 3 Plus or the accessory and may cause fire, electric shock, or injury.

**Product Specifications**

Model Number: 5UM6E5

Electrical Rating: Can connect to a doorbell system supplying 8-24 VAC for continuous charging and internal doorbell control

Temperature Rating: -20°C to 50°C

This device complies with Part 15 of the FCC Rules. Operation is subject to the following two conditions: (1) this device may not cause harmful interference, and (2) this device must accept any interference received, including interference that may cause undesired operation.

NOTE: This equipment has been tested and found to comply with the limits for a Class B digital device, pursuant to Part 15 of the FCC Rules. These limits are designed to provide reasonable protection against harmful interference in a residential installation. This equipment generates, uses and can radiate radio frequency energy and, if not installed and used in accordance with the instructions, may cause harmful interference to radio communications.

However, there is no guarantee that interference will not occur in a particular installation. If this equipment does cause harmful interference to radio or television reception, which can be determined by turning the equipment off and on, the user is encouraged to try to correct the interference by one or more of the following measures:

Reorient or relocate the receiving antenna.

Increase the separation between the equipment and receiver.

Connect the equipment into an outlet on a circuit different from that to which the receiver is connected.

Consult the dealer or an experienced radio/TV technician for help.

Pursuant to Section 15.21 of the FCC rules, changes or modifications to a Product by the user that are not expressly approved by the party responsible for compliance could void the user's authority to operate the equipment.

The device meets the FCC Radio Frequency Emission Guidelines. Information on the product is on file with the FCC and can be found by inputting such Product's FCC ID (which can be found on the device) into the FCC ID Search form available at <https://www.fcc.gov/oet/ea/fccid>.

The party responsible for FCC compliance is:

Ring LLC  
1523 26th Ave  
Santa Monica, CA USA  
90404

Device Name: Video Doorbell 3 Plus

Model: 5UM6E5





#### FCC Radiation Exposure Statement

This device complies with FCC radiation exposure limits set forth for an uncontrolled environment and it also complies with Part 15 of the FCC RF Rules. This equipment must be installed and operated in accordance with provided instructions and the antenna(s) used for this transmitter must be installed to provide a separation distance of at least 20 cm from all persons and must not be co-located or operating in conjunction with any other antenna or transmitter. End-users and installers must be provided with antenna installation instructions and consider removing the no-collocation statement.



#### EU Conformity

Hereby, Ring LLC declares that the radio equipment type 2AEUPBHARG051 is in compliance with Directive 2014/53/EU. The full text of the EU declaration of conformity is available at the following internet address: [www.ring.com/DoC.pdf](http://www.ring.com/DoC.pdf).

#### Wireless Features:

##### Radio Frequency Compliance

In order to protect human health, this device meets the thresholds for exposure of the general public to electromagnetic fields according to Council Recommendation 1999/519/EC.

This device should be installed and operated with at least 20 cm between the radiator and your body.

#### Canada Statement

This device contains licence-exempt transmitter(s)/receiver(s) that comply with Innovation, Science and Economic Development Canada's licence-exempt RSS(s). Operation is subject to the following two conditions:

(1) This device may not cause interference.

(2) This device must accept any interference, including interference that may cause undesired operation of the device. L'émetteur/récepteur exempt de licence contenu dans le présent appareil est conforme aux CNR d'Innovation, Sciences et Développement économique Canada applicables aux appareils radio exempts de licence. L'exploitation est autorisée aux deux conditions suivantes :

(1) l'appareil ne doit pas produire de brouillage

(2) l'appareil doit accepter tout brouillage radioélectrique subi, même si le brouillage est susceptible d'en compromettre le fonctionnement.

Information regarding exposure to radio frequency energy: This equipment complies with IC RSS-102 RF exposure limits set forth for an uncontrolled environment.

Informations concernant l'exposition aux radiofréquences: Cet équipement est conforme aux limites d'exposition aux rayonnements IC établies pour un environnement non contrôlé.

This equipment should be installed and operated with a minimum distance of 20 cm between the radiator and your body.

#### 第十二條

※經型式認證合格之低功率射頻電機，非經許可，公司、商號或使用者均不得擅自變更頻率、加大功率或變更原設計之特性及功能。

#### 第十四條

※低功率射頻電機之使用不得影響飛航安全及干擾合法通信；經發現有干擾現象時，應立即停用，並改善至無干擾時方得繼續使用。

-前項合法通信，指依電信法規定作業之無線電通信。

-低功率射頻電機須忍受合法通信或工業、科學及醫療用電波輻射性電機設備之干擾。

「應避免影響，附近雷達系統之操作」

#### LIMITED WARRANTY AND PURCHASE PROTECTION FOR AUSTRALIA CONSUMERS

Our goods come with guarantees that cannot be excluded under the Australian Consumer Law. You are entitled to a replacement or refund for a major failure and compensation for any other reasonably foreseeable loss or damage. You are also entitled to have the goods repaired or replaced if the goods fail to be of acceptable quality and the failure does not amount to a major failure. Goods presented for repair may be replaced by refurbished goods of the same type rather than being repaired. Refurbished parts may be used to repair the goods.

#### WHAT THE WARRANTY COVERS

For a period of one year from the date of your purchase of the Ring Video Doorbell, any malfunction caused by defective parts or workmanship will be corrected at no charge to you. Please keep your dated sales receipt; it is required for all warranty requests.

#### WHAT THE WARRANTY DOES NOT COVER

Repair service, damage due to misuse, abuse, negligence, or casualty (e.g., fire), and batteries are not covered by this warranty. Unauthorized service or modification of the product or of any furnished component will void this warranty in its entirety. This warranty does not include reimbursement for inconvenience, installation, loss of use, or unauthorized service.

This warranty covers only the Ring Video Doorbell and is not extended to other equipment and components that a customer uses in conjunction with our products. Ring LLC's maximum liability under this warranty is, to the extent permitted by law, limited to the original purchase price of the Ring Video Doorbell. In addition, Ring LLC reserves the right to request any product claimed defective to be returned to Ring LLC for inspection.

TO THE EXTENT PERMITTED BY LAW, THIS WARRANTY IS EXPRESSLY IN LIEU OF ALL OTHER WARRANTIES, EXPRESS OR IMPLIED, INCLUDING ANY WARRANTY, REPRESENTATION OR CONDITION OF MERCHANTABILITY OR THAT THE PRODUCTS ARE FIT FOR ANY PARTICULAR PURPOSE OR USE, AND SPECIFICALLY IN LIEU OF ALL SPECIAL, INDIRECT, INCIDENTAL, OR CONSEQUENTIAL DAMAGES.

IN SO FAR AS SUCH WARRANTIES CANNOT BE DISCLAIMED, THE DURATION AND REMEDIES FOR SUCH WARRANTIES ARE LIMITED TO THE DURATION OF THIS EXPRESS WARRANTY AND REPAIR OR REPLACEMENT SHALL BE THE SOLE REMEDY OF THE CUSTOMER AND EXCEPT AS PROVIDED IN THIS WARRANTY AND TO THE MAXIMUM EXTENT PERMITTED BY LAW THERE SHALL BE NO LIABILITY ON THE PART OF BOT HOME AUTOMATION, INC. FOR ANY SPECIAL, INDIRECT, INCIDENTAL OR CONSEQUENTIAL DAMAGES, INCLUDING BUT NOT LIMITED TO ANY LOSS OF BUSINESS OR PROFITS, WHETHER OR NOT FORESEEABLE.

To obtain the benefit of the above limited warranty, please contact us at:

© 2019 Ring LLC or its affiliates.

Ring and all related logos are trademarks of Ring LLC or its affiliates.

