



Quick Install Guide

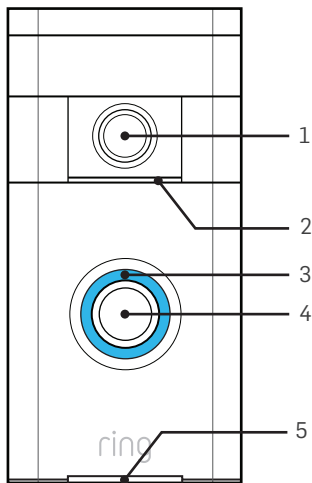
TABLE OF CONTENTS

COMPONENTS.....	3
BATTERY CHARGING.....	6
WI-FI SETUP	7
INSTALLATION.....	7
HARDWIRING	8
ANSWERING A CALL.....	9

With Ring, you're
always home.

2

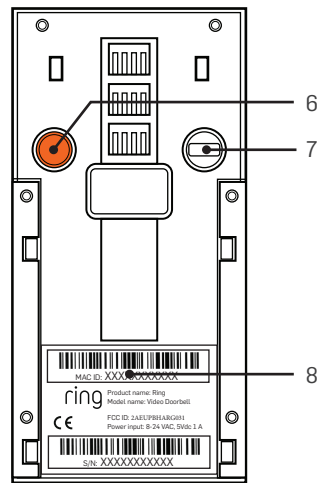
FRONT



1. Wide Angle HD Camera
2. Microphone
3. LED Ring
4. Push Button
5. Speakers

3

BACK

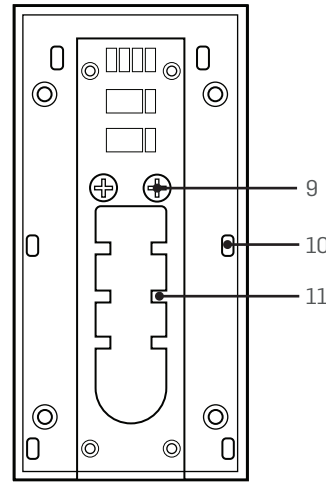


6. Setup Button
7. Micro USB Charging Port
8. MAC Address

4

MOUNTING BRACKET

5



9. Doorbell Wire Terminals
10. Mounting Hooks
11. Wire Management Hooks

BATTERY CHARGING

Charge your device using a USB-compatible wall charger or laptop. To ensure your device is fully charged, charge the device prior to Wi-Fi setup and installation.

LED RING LIGHTING SEQUENCES

Battery Charging		LED Ring spins blue, then white.
Battery Charging Complete		LED Ring stays fully lit blue.
Call Initiated		LED Ring spins blue.
Call Connected		LED Ring stays fully lit blue.
Hardwired		LED Ring stays dimly lit white.
Setup Mode		LED Ring spins white.
Software Update		LED Ring blinks white.
Factory Reset		LED Ring blinks blue.

6

WI-FI SETUP



Download the Ring app from the App Store, Google Play or Windows Store. Open the Ring app and select Setup Device. Follow the in-app instructions to set up your Ring.

You will need your network information (SSID and password) to complete your Ring setup.

INSTALLATION

1. Remove doorbell button and power off your transformer (for wired installation only).
2. Line up the mounting bracket using the provided mounting level.
3. **Brick - use provided screws and anchors**
Concrete - use provided screws and anchors
Stucco - use provided screws and anchors
Wood - use provided screws
Vinyl - use provided screws
4. Install the mounting bracket using the provided screwdriver bit, handle and drill bit.
5. Remove the mounting level.
6. Connect your doorbell wiring to the terminal screws located on the mounting bracket (for wired installation only).
7. Place the device on the mounting bracket.
8. Tighten the security screws at the bottom of the device using the proprietary screwdriver bit. **Please do not over-tighten the security screws.**
9. Provide power back to your transformer (for wired installation only).

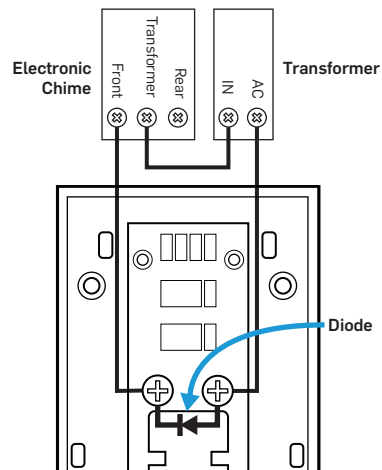
7

HARDWIRING REQUIREMENTS

If powering off doorbell wiring, the wiring must be connected to a transformer and a doorbell with a voltage of 8VAC - 24VAC to ring your doorbell chime.

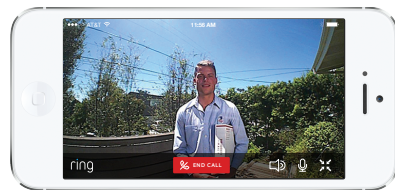
If your chime is electronic (e.g. plays a melody), you may need to install a diode, which is commonly found inside your current doorbell button, or check with your doorbell manufacturer.

Connect the diode to the terminals with the **arrow on the diode facing towards the doorbell chime** as shown below.



8

ANSWERING A CALL



Mute Volume



Disable Microphone



End Call



Call Zoom

To disable notifications for your Ring device, select it from "My Devices". Select "Device Settings" and toggle notifications off.

9

CUSTOMER SUPPORT

For additional product information and helpful tips, check out our support forum at:

<http://ring.com/help>

For immediate assistance, please call us at:

DOMESTIC: 1-800-656-1918

INTERNATIONAL: +1 310-929-7085

7 days a week



1523 26th St.
Santa Monica, CA 90404



Hereby, Bot Home Automation, declares that this consumer electronic is in compliance with the essential requirements and other relevant provisions of Directive 1999/5/EC. The declaration of conformity may be consulted at www.ring.com/DoC.pdf.

Protect the device from direct sunlight. Install the device at dry locations and protect it against rain and humidity. The device may not get contact to salt water or other conductive liquids. The device must be charged only within a building in a dry state.

10

FCC Statement

This equipment has been tested and found to comply with the limits for a Class B digital device, pursuant to part 15 of the FCC Rules. These limits are designed to provide reasonable protection against harmful interference in a residential installation. This equipment generates, uses and can radiate radio frequency energy and, if not installed and used in accordance with the instructions, may cause harmful interference to radio communications. However, there is no guarantee that interference will not occur in a particular installation. If this equipment does cause harmful interference to radio or television reception, which can be determined by turning the equipment off and on, the user is encouraged to try to correct the interference by one or more of the following measures:

- Reorient or relocate the receiving antenna.
- Increase the separation between the equipment and receiver.
- Connect the equipment into an outlet on a circuit different from that to which the receiver is connected.
- Consult the dealer or an experienced radio/TV technician for help.

FCC Radiation Exposure Statement

This device complies with FCC radiation exposure limits set forth for an uncontrolled environment and it also complies with Part 15 of the FCC RF Rules. This equipment must be installed and operated in accordance with provided instructions and the antenna(s) used for this transmitter must be installed to provide a separation distance of at least 20 cm from all persons and must not be co-located or operating in conjunction with any other antenna or transmitter. End-users and installers must be provided with antenna installation instructions and consider removing the no-collocation statement.

This device complies with Part 15 of the FCC Rules. Operation is subject to the following two conditions:

- (1) this device may not cause harmful interference, and
- (2) this device must accept any interference received, including interference that may cause undesired operation.

Caution!

Any changes or modifications not expressly approved by the party responsible for compliance could void the user's authority to operate the equipment.