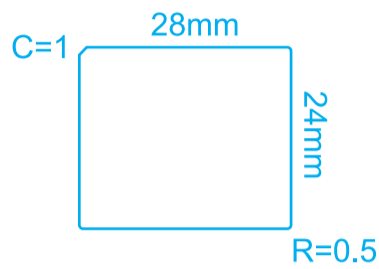


| REV. SYMBOL | DATE | DESCRIPTION | SIGN | APPROVED |
|-------------|------|-------------|------|----------|
| A | | | | |
| B | | | | |



Die-line



100%



200%

Notes:

1. Material: 50 ounce White PET Label(50 ounce 合成貼紙)
2. Color: Black & White
3. Size: 28(L) x 24(W) mm, R=0.5mm, C=1mm
4. MAC & SN Code: Code 128
5. Finish: Matte P(霧P)
6. Glue: Permanent glue
7. Tolerance: +0.1/-0.1mm
8. Unit:mm

| Product Name | SKU | UPC (UNIT) |
|---------------------|--------------|--------------|
| LPDV1 - Variation 1 | 88LP000CH000 | 852239005208 |
| LPDV1 - Variation 2 | 88LP001CH000 | 852239005215 |
| LPDV1 - Variation 3 | 88LP002CH000 | 852239005222 |

Serial Number Format

BHL1YYWWAAXXXXXX

BH= Company Name (Bot Home Automation)

L1 = Low Power Version 1 product

YY = Year of manufacture, 2015 =15

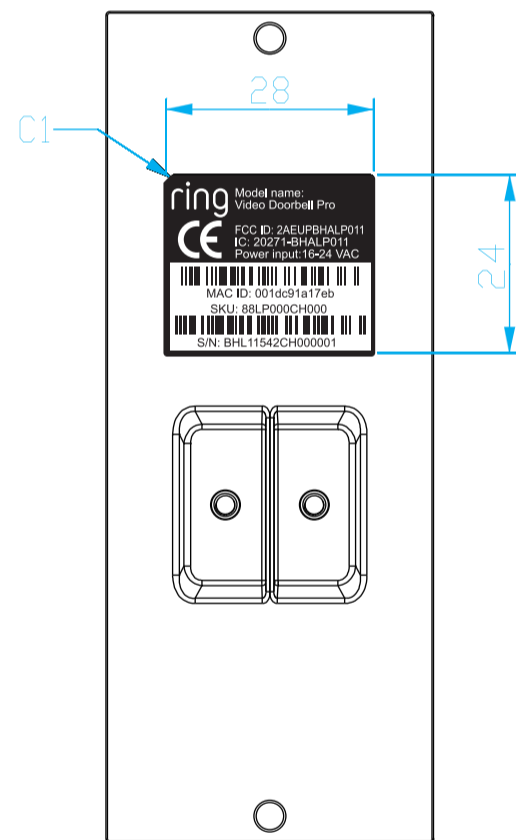
WW= Week of manufacture =42

AA = Factory location or code name, Chicony =CH

(example: HZ = Huizho, LH = Long Huan, etc.)

XXXXXX = Unique ID for product

Label Position



| | | | | | |
|------------------------------|---------|-------------------------|----------------------|----------|--|
| MODEL NO. DC-F680 | | PART NO. 2530AF680L-C01 | | REMARK: | |
| CHICONY ELECTRONICS Co., LTD | | | MATERIAL: see notes | | MODEL NAME: DC-F680(RING) |
| APPROVED | CHECKED | DESIGNED | TOLERANCE: see notes | | |
| | | Wei | Q'TY: | | PART NAME: RATING LABEL W/ CE LOGO (RING) |
| | | 03/17.2016 | SCALE: 1/1 | UNIT: mm | DWG NO.: |
| | | | | | REV. C |