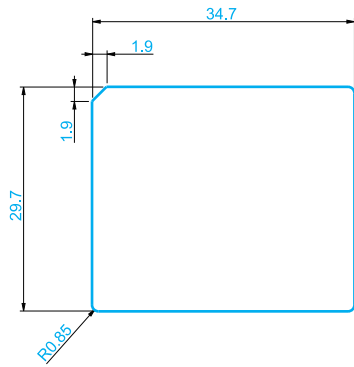
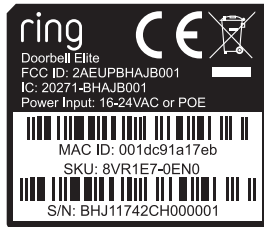


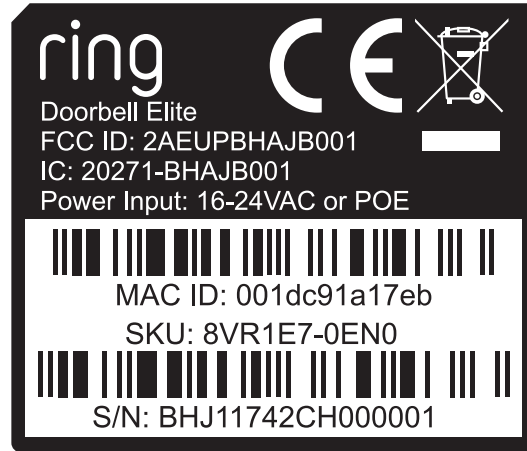
REV. SYMBOL	DATE	DESCRIPTION	SIGN	APPROVED
A				
B				



Die-line



100%

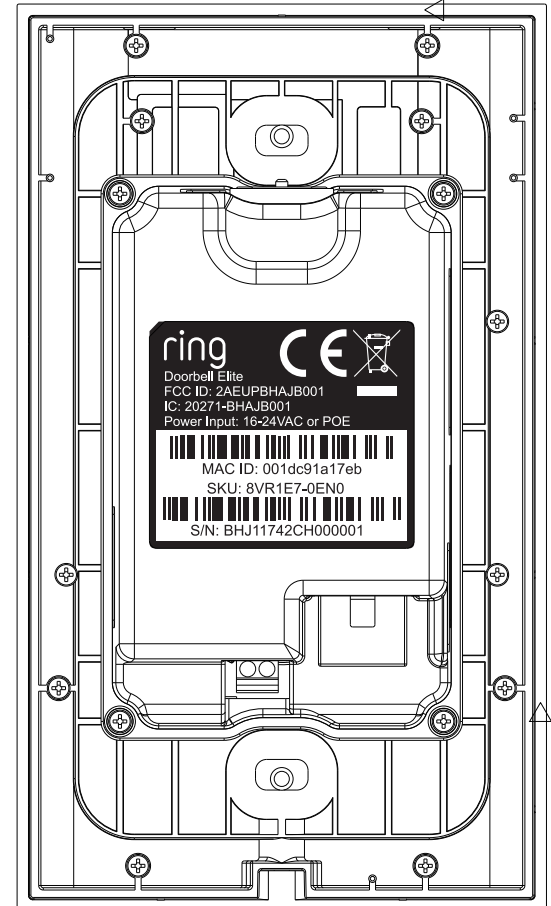
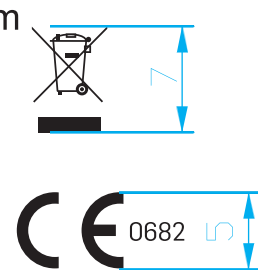


200%

**Notes:**

1. Material: 50 ounce White PET Label(50 ounce合成貼紙)
2. Color: Black & White
3. Size: 34.7(L) x 29.7(W) mm, R=0.5mm, C=1mm
4. MAC & SN Code: Code 128
5. Finish: Matte P(霧P)
6. Glue: 加強可移膠 (R glue)
7. Tolerance: +0.1/-0.1mm
8. Unit:mm

**Label Position**



Product Name	SKU	UPC (UNIT)
VideoDoorbell (Retail)	8VR1E7-0EN0	852239005475
VideoDoorbell (Retail)	8VR1E7-0FC0	842861100273

**Serial Number Format:**

Serial Number Format

BHJ1YYWWAAXXXXXX

- BH= Company Name (Bot Home Automation)
- J1 = JBox v1
- YY = Year of manufacture, 2017 =17
- WW= Week of manufacture =42
- AA = Factory location or code name, Chicony =CH  
(example: HZ = Huizho, LH = Long Huan, etc.)
- XXXXXX = Unique ID for product

MODEL NO. DC-G720		PART NO. 2530AG720L-A02FX		REMARK:	
CHICONY ELECTRONICS Co., LTD			MATERIAL: see notes		MODEL NAME:
APPROVED	CHECKED	DESIGNED	TOLERANCE: see notes		DC-G720 (J-BOX)
		Teresa	Q'TY:		PART NAME:
		2017/04/28	SCALE: 1/1	UNIT: mm	RATING LABEL
				DWG NO.:	REV. A