



ring



Indoor Cam



1. Set up your Indoor Cam.

Download the Ring app.

The Ring app walks you through setting up and managing your Indoor Cam.

Download it on your iOS or Android device.



Grab your Wi-Fi password.

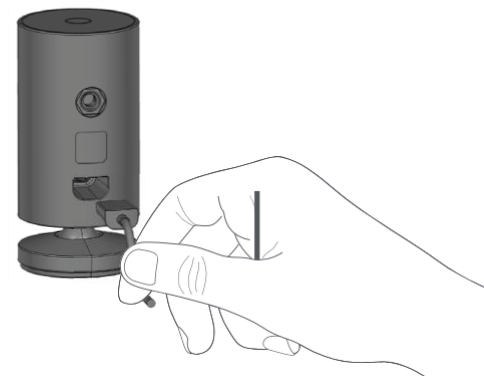
You'll need it to set up your Indoor Cam.
Write it down below so it's handy when you need it:

Your Wi-Fi password

Power it up!

First, plug the included power cable into the back of your Indoor Cam.

Then plug the power supply into an outlet.



Set up your Indoor Cam in the Ring app.

In the Ring app, select Set Up a Device.

When prompted, select Security Cams and follow the in-app instructions.

Try it out!

After setup, tap the Live View button in the Ring app to see live video from your Indoor Cam.

Blue light flashing?

If the light on the front of your Indoor Cam is flashing after setup, it's updating its software.

Do not unplug your Indoor Cam while the light is flashing!

2. Install your Indoor Cam.

How to use Indoor Cam on a table or shelf:



Choose a location.

Indoor Cam is happy just about anywhere inside. It comes ready to sit on a flat surface like a table or shelf, but can also be mounted to a wall.

Choose a spot where it can provide the view you want, within reach of a power outlet.



Table or shelf



Mounted on a wall

It's all ready, already!

Plug it in, then place it at your chosen location. Your Indoor Cam is now ready to protect you.

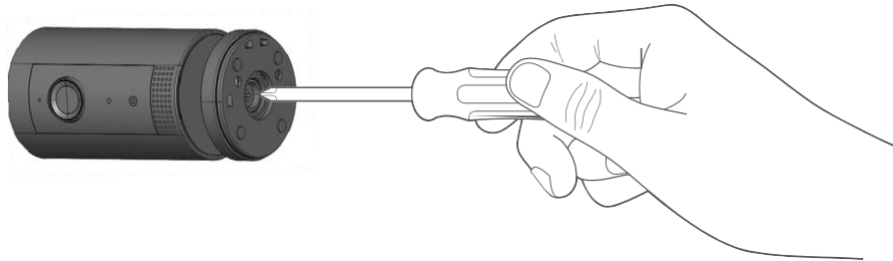
Once you're done, check out the live video in the Ring app to make sure you have the view you want.

How to install Indoor Cam on a wall:



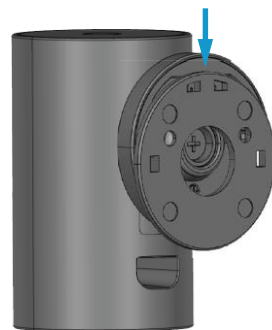
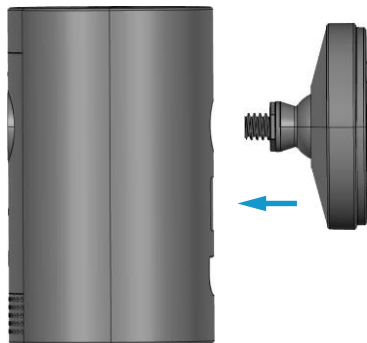
Remove the base.

Unscrew it using a Phillips-head screwdriver (not included).



Re-attach the base.

Screw it into the back of your Indoor Cam with the “UP” arrow on the bracket pointing upwards.

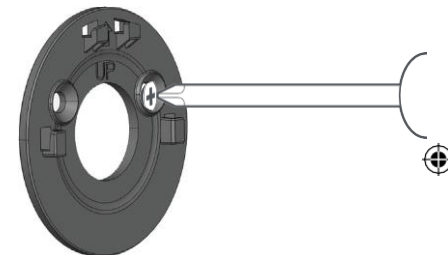


Remove the mounting bracket.

Slide it down. It'll come right off the base.

Drive the screws.

Hold the plate against your wall, making sure the “UP” arrow is pointing up, and mount it with the included screws.



Mount your Cam.

Guide the grooves in the base onto the hooks on the bracket. Slide Indoor Cam down to secure it to the wall.

Now check out the live video in the Ring app to make sure you have the view you want.



This device and its antenna(s) must not be co-located or operating in conjunction with any other antenna or transmitter.

**IMPORTANT NOTE:
FCC Radiation Exposure Statement:**

This equipment complies with FCC radiation exposure limits set forth for an uncontrolled environment. This equipment should be installed and operated with minimum distance **20cm** between the radiator & your body.

The transmitter module may not be co-located with any other transmitter or antenna.
Le module émetteur peut ne pas être coïmplanté avec un autre émetteur ou antenne.

The Country Code Selection feature is disabled for products marketed in the US/Canada

For product available in the USA/Canada market, only channel 1~11 can be operated. Selection of other channels is not possible.

Pour les produits disponibles aux États-Unis / Canada du marché, seul le canal 1 à 11 peuvent être exploités. Sélection d'autres canaux n'est pas possible.



ring

FCC Compliance Statement (USA)

This device (including related accessories like the adapter) complies with part 15 of the FCC Rules. Operation is subject to the following two conditions: (1) This device may not cause harmful interference, and (2) this device must accept any interference received, including interference that may cause undesired operation.

The party responsible for FCC compliance is Ring LLC
1523 26th Street Santa Monica, CA 90404

To contact Ring about the device's FCC equipment authorization, please write us at the address shown above or contact us using the following address: legal@ring.com

Device Name: Ring Indoor Cam
Model:

NOTE: This equipment has been tested and found to comply with the limits for a Class B digital device, pursuant to Part 15 of the FCC Rules. These limits are designed to provide reasonable protection against harmful interference in a residential installation. This equipment generates, uses and can radiate radio frequency energy and, if not installed and used in accordance with the instructions, may cause harmful interference to radio communications.

However, there is no guarantee that interference will not occur in a particular installation. If this equipment does cause harmful interference to radio or television reception, which can be determined by turning the equipment off and on, the user is encouraged to try to correct the interference by one or more of the following measures:

- Reorient or relocate the receiving antenna.
- Increase the separation between the equipment and receiver.
- Connect the equipment into an outlet on a circuit different from that to which the receiver is connected.
- Consult the dealer or an experienced radio/TV technician for help.

WARNING: Pursuant to Section 15.21 of the FCC rules, changes or modifications to this device by the user that are not expressly approved by the party responsible for compliance could void the user's authority to operate the equipment.

Additional information regarding the Ring Indoor Cam FCC equipment authorization(s) can be found at: ring.com/regulatory

RADIO FREQUENCY EXPOSURE CAUTION:

The output power of the radio technology used in the device is below the radio frequency exposure limits set by the FCC. Nevertheless, it is advised to use the device in such a manner that minimizes the potential for human contact during normal operation.

This device should be installed and operated with minimum distance 20 cm between the radiator & your body.

The device meets the FCC Radio Frequency Emission Guidelines. Information on the product is on file with the FCC and can be found by inputting such Product's FCC ID (which can be found on the device) into the FCC ID Search form available at <https://www.fcc.gov/oet/ea/fccid>.

For Canadian Customers

Innovation, Science and Economic Development Canada (ISED) Compliance

This device contains license-exempt transmitter(s)/receiver(s) that comply with Innovation, Science and Economic Development Canada's license-exempt RSS(s). Operation is subject to the following two conditions: (1) This device may not cause interference; and (2) This device must accept any interference, including interference that may cause undesired operation of the device.

Conformité Innovation Sciences et Développement Économique Canada (ISDE)

L'émetteur/récepteur exempt de licence contenu dans le présent appareil est conforme aux CNR d'Innovation, Sciences et Développement économique Canada applicables aux appareils radio exempts de licence. L'exploitation est autorisée aux deux conditions suivantes : (1) l'appareil ne doit pas produire de brouillage ; et (2) l'appareil doit accepter tout brouillage radioélectrique subi, même si le brouillage est susceptible d'en compromettre le fonctionnement.

Information Regarding Exposure to Radio Frequency Energy

This equipment complies with IC RSS-102 RF exposure limits set forth for an uncontrolled environment.

This equipment should be installed and operated with a minimum distance of 20 cm between the radiator and your body.

CAN ICES-3 (B)/NMB-3(B)

Informations concernant l'exposition aux radiofréquences

Renseignements relatifs l'exposition l'énergie des radiofréquences

Cet équipement est conforme aux limites d'exposition IC CNR-102 prévues pour environnements non contrôlés. Cet équipement doit être installé et utilisé avec un minimum de 20 cm de distance entre la source de rayonnement et votre corps.

CAN ICES-3 (B)/NMB-3(B)

Important Product Information

Safety and Compliance Information

Use Responsibly. Read all instructions and safety information before use.



SAFETY INFORMATION FAILURE TO FOLLOW THESE SAFETY INSTRUCTIONS COULD RESULT IN FIRE, ELECTRIC SHOCK, OR OTHER INJURY OR DAMAGE.

Ring Indoor Cam and its accessories are for indoor use only.

Do not expose your device or adapter to liquids. If your device or adapter gets wet, carefully unplug all cables without getting your hands wet and wait for the device and adapter to dry completely before plugging them in again. Do not attempt to dry your device or adapter with an external heat source, such as a microwave oven or a hair dryer. If the device or adapter appear damaged, discontinue use immediately. Use only accessories supplied with the device to power your device. To avoid risk of electric shock, do not touch your device or any wires connected to your device during a lightning storm.

Product Specifications

Model Number:

Electrical Rating:

Operating Temperature:

PRODUCT DISPOSAL INFORMATION

In some areas, the disposal of certain electronic devices is regulated. Make sure you dispose of, or recycle, your device in accordance with your local laws and regulations.

Ring Terms & Policies

BEFORE USING THE Ring DEVICE, PLEASE READ THE TERMS FOUND AT <https://shop.ring.com/pages/terms> AND ALL RULES AND POLICIES FOR THE DEVICE AND SERVICES RELATED TO THE DEVICE (INCLUDING, BUT NOT LIMITED TO, THE APPLICABLE RING PRIVACY NOTICE AND ANY APPLICABLE RULES OR USAGE PROVISIONS ACCESSIBLE THROUGH THE <https://shop.ring.com/pages/privacy> WEBSITE OR THE RING APP (COLLECTIVELY, THE "AGREEMENTS"). BY USING THE RING DEVICE, YOU AGREE TO BE BOUND BY THE TERMS OF THE AGREEMENTS.

Your new or Certified Refurbished Ring Indoor Cam device is covered by a one-year Limited Warranty. Details are available at <https://shop.ring.com/pages/warranty>

© 2019 Ring LLC

RING, ALWAYS HOME, and CHIME are trademarks of Ring LLC

Santa Monica, CA 90404