

ring

Beams Wired
Floodlight

1. Install your Floodlight.

WARNING: Risk of electrical shock. **Disconnect power at the fuse or circuit breaker before installing.**



Verify that the supply voltage is correct. Connect fixture to a 100 VAC~240 VAC 50/60 Hz power source.

Properly ground fixture.

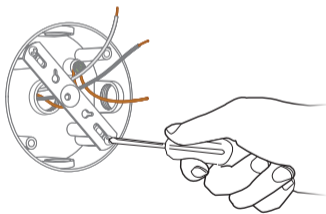
Always follow code standards.

If you are outside of North America, installation and wiring must be performed by a licensed electrician.

CAUTION: Risk of fire. Do not install near combustible or flammable surfaces.

NOTICE: Floodlight must be installed on a UL listed weatherproof electrical box.

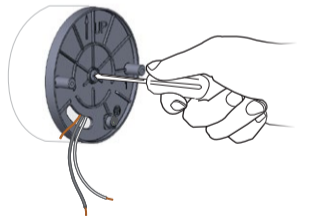
With power turned off at the breaker, screw the mounting bracket into your electrical box.



Center the mounting plate over the bracket and secure it with a screw.



Be sure to pull the wires through the hole in the mounting plate before screwing it in.



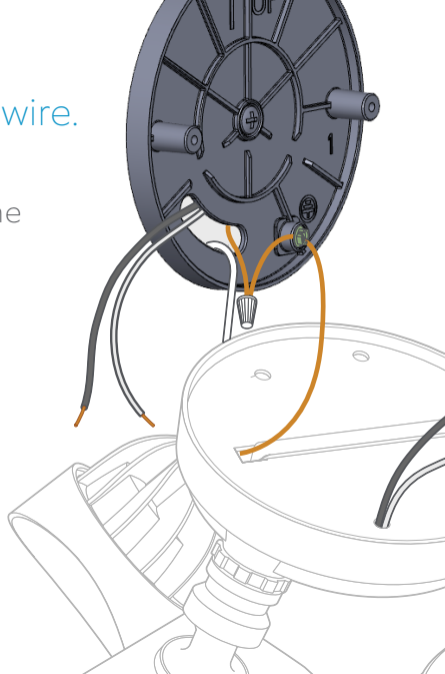
Connect the ground wire.

Connect the copper wire from your Floodlight to the green ground screw on the plate **and** the existing ground wire from your junction box.

Use one of the supplied wire nuts if necessary.



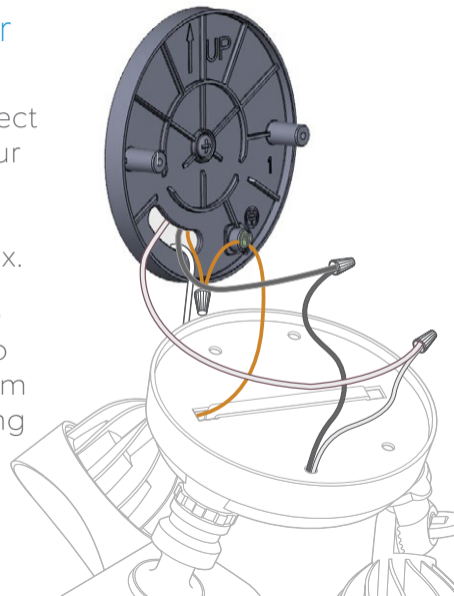
For easier wiring, you can hang your Floodlight from the plate with the included hook.



Connect the power wires.

Use a wire nut to connect the white wire from your Floodlight to the white (neutral) wire coming from your electrical box.

Connect the black wire from your Floodlight to the black (hot) wire from your electrical box using another wire nut.

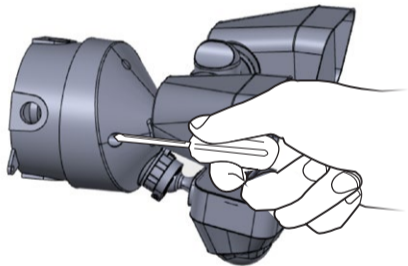


Slide your Floodlight over the posts on the mounting plate.

Then, secure it with two of the long screws.

Once your Floodlight is mounted, feel free to switch power back on at the breaker.

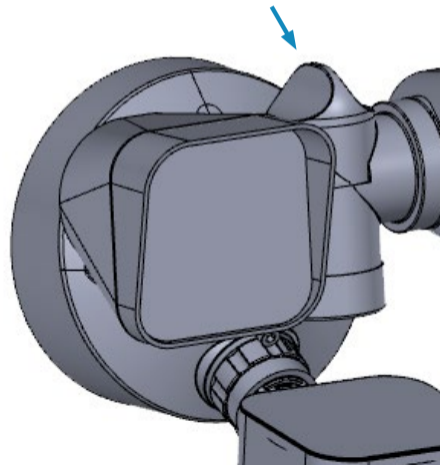
 The motion sensor is adjustable.
Try various angles to find the best setting for your home.



Your Floodlight is versatile.

Loosen the large knob at the top to adjust the angle of the lights.

Tighten it again when you find just the right position.



2. Connect your Wired Floodlight.

Download the Ring app.

The app walks you through setting up and managing your Floodlight.

Search for “Ring” in one of these app stores, or visit: ring.com/app



Set up your Ring Beams Bridge.

The Bridge connects your Ring Beams lights to the rest of your Ring system. Your Bridge must be up and running before you set up your Floodlight.

To set up your Bridge, follow the instructions in the Ring app or Bridge user manual.



Set up your Floodlight in the Ring app.

In the app, tap **Set Up a Device**.

When prompted, select **Beams** and follow the in-app instructions.



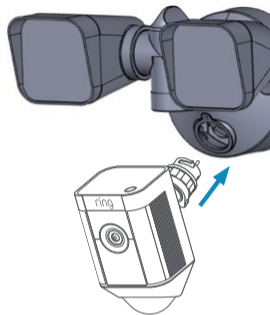
Got a Spotlight Cam Wired? Upgrade it!

First, turn power off at the breaker.

Twist the sensor on your Floodlight to the left, then remove it. Do the same to separate Spotlight Cam from its base.

Next, insert the camera into your Floodlight and twist it right to lock it in. Add the security screw, if desired. Finally, turn power on.

Now your Spotlight Cam Wired has Floodlight powers, and vice versa.



For additional help, visit: ring.com/help

Or give us a call...

US 1 800 656 1918

Canada 1 855 300 7289

Worldwide +1 310 929 7085

For a list of all our customer support numbers,
visit:

ring.com/callus

To review your warranty coverage, please visit www.ring.com/warranty.

Patents: www.ring.com/patents

© 2018 Ring LLC or its affiliates.

RING, ALWAYS HOME, and all related logos are trademarks of Ring LLC or its affiliates.

Last updated: 09/13/18

Warnings

This device complies with part 15 of the FCC Rules and Industry Canada licence-exempt RSS standard(s). Operation is subject to the following two conditions: (1) this device may not cause interference, and (2) this device must accept any interference, including interference that may cause undesired operation of the device.

Le présent appareil est conforme aux CNR d'Industrie Canada applicables aux appareils radio exempts de licence. L'exploitation est autorisée aux deux conditions suivantes : (1) l'appareil ne doit pas produire de brouillage, et (2) l'utilisateur de l'appareil doit accepter tout brouillage radioélectrique subi, même si le brouillage est susceptible d'en compromettre le fonctionnement.

This equipment has been tested and found to comply with the limits for a Class B digital device, pursuant to part 15 of the FCC Rules. These limits are designed to provide reasonable protection against harmful interference in a residential installation. This equipment generates, uses and can radiate radio frequency energy and, if not installed and used in accordance with the instructions, may cause harmful interference to radio communications. However, there is no guarantee that interference will not occur in a particular installation. If this equipment does cause harmful interference to radio or television reception, which can be determined by turning the equipment off and on, the user is encouraged to try to correct the interference by one or more of the following measures:

- Reorient or relocate the receiving antenna.
- Increase the separation between the equipment and receiver.
- Connect the equipment into an outlet on a circuit different

from that to which the receiver is connected.

- Consult the dealer or an experienced radio/TV technician for help.

Caution: Any changes or modifications to this device not explicitly approved by manufacturer could void your authority to operate this equipment.

MPE Reminding

To satisfy FCC / IC RF exposure requirements, a separation distance of 20 cm or more should be maintained between the antenna of this device and persons during device operation.

To ensure compliance, operations at closer than this distance is not recommended.

Les antennes installées doivent être situées de façon à ce que la population ne puisse y être exposée à une distance

de moins de 20 cm. Installer les antennes de façon à ce que le personnel ne puisse approcher à 20 cm ou moins de la position centrale de l'antenne.

La FCC des États-Unis stipule que cet appareil doit être en tout temps éloigné d'au moins 20 cm des personnes pendant son fonctionnement.