

Appendix C. EUT Internal Photographs



Fig. 1



Fig. 2



Fig. 3



Fig. 4

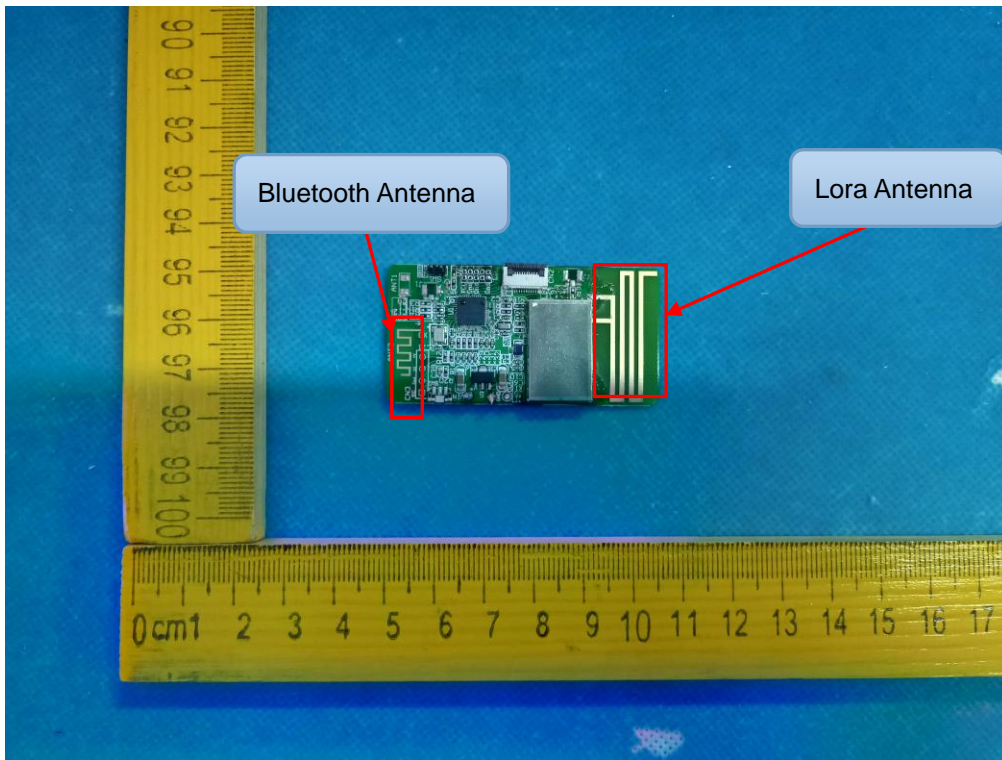


Fig. 5

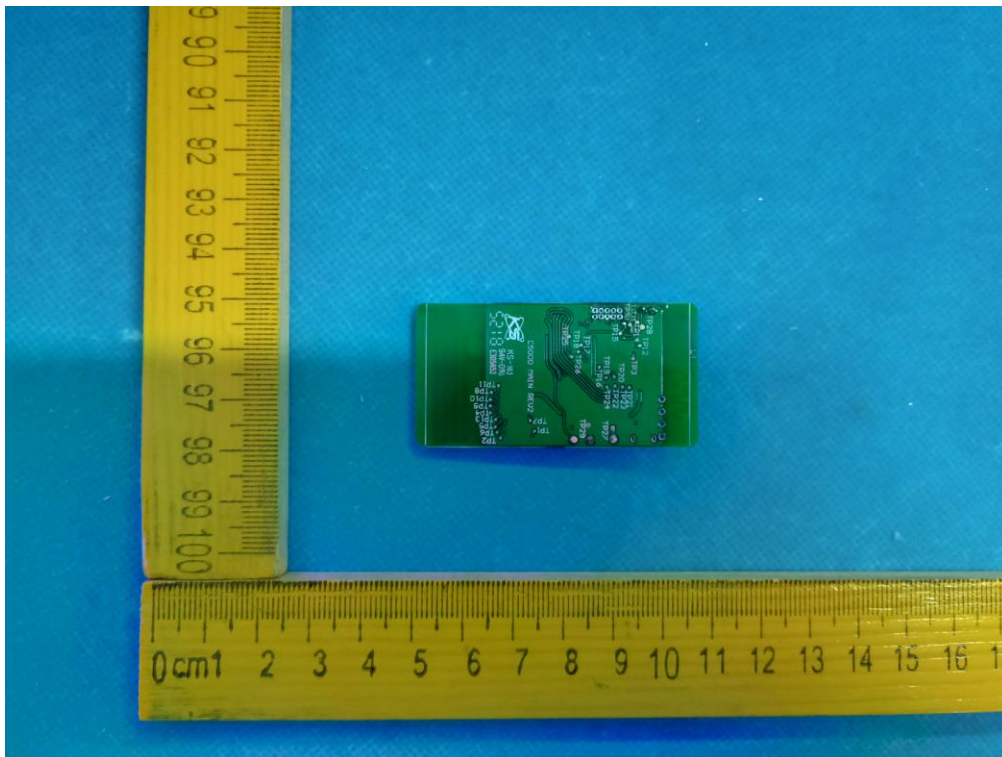


Fig. 6



Fig. 7

-----End of the report-----