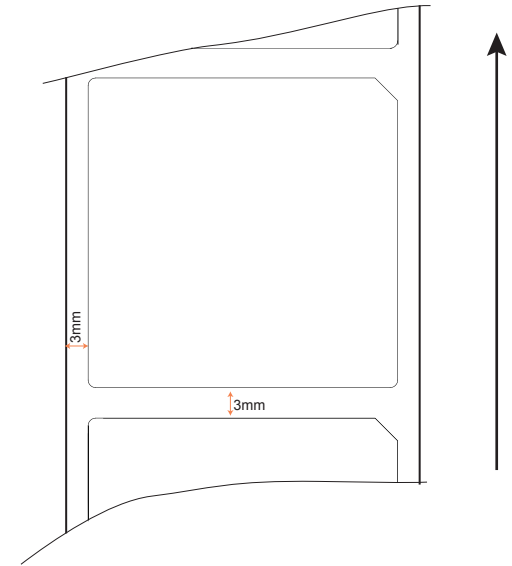
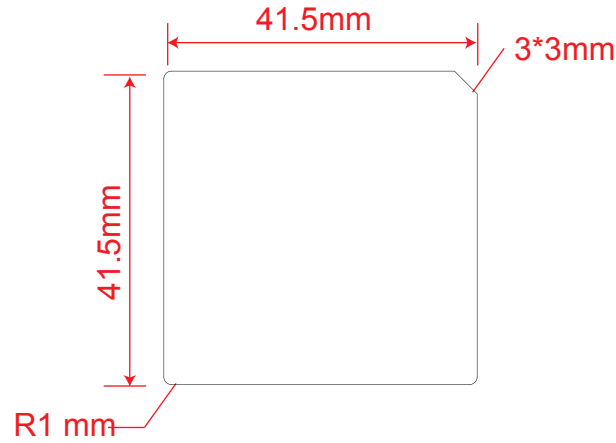


REV.	MARK	ECR/ECN NO.	DATE	UPDATE DESCRIPTION	SIGNATURE
00	N/A	N/A	2019.01.16	First Release	Snow
01	N/A	N/A	2019.04.24	change content	Snow

label 尺寸: 41.5*41.5mm



- Notes :
- 1.Surface Material:light 50# PET 膠面咬花
 - 2.Surface Material tolerance:0.05±0.003mm
 - 3.Surface Material color:white
 - 4.Adhesive:embossing(咬花膠)
 - 5.Adhesive thickness: 0.029+/-0.003mm
 - 6.Adhesion to steel(180o磨鋼粘着力)>0.7 kg/inch
 - 7.Initial Tack (初期力) >2 # /Boll
 - 8.Holding power(保持力)>24 Hr/kg*inch^2
 - 9.Package Style: Reel

MATERIAL (SPEC.)						SCALE	FOXCONN		
50# PET						1:1	HON HAI PRECISION IND. CO., LTD		
FINISH						SHEET	CNSBG		
						1/1	Product Label		
Select		CARTON (water-based printing)			V	UNIT	PART NAME		
Tol.	PARTITION	Dircut	Pr. content	Pr. orientation	Label	MM	MODEL		
0~6	±2(Dim.≥3)	±2	±1.5(Dim.≥2)	±3(Dim.≥5)	0.20	SIZE	U73J016.00		DESIGNED
6~50	±2	±2	±1.5	±5	0.20	A4	PART NO.		Snow.Li
50~200	±2	±3	±2	±5	0.25		500.02370.005		
200~500	±2	±3	±3	±5	0.30		CUSTOMER MODEL		APPROVED
500~790	±3	±3	±3	±10	0.50		CUSTOMER PART NO.		Meredith
DRAFT TOLERANCE		±0.2°		CRITICAL DIM. MARK		*			

— . Device LABEL Definition (500.XXXXX.XXX);

1. Label Material: 50#PET.
2. Label Size: 41.5*41.5 mm.
3. Quantity: 1PCS.



4. Label Content:

4.1 Label Font Style & Size All text Font: **Equip-Regular** Size: 4pt

4.2 S/N definition:

Serial NO. barcode: 16 digits; Code 128/B, Height: 4mm

S/N = **BHRVXXYYCNAAAAAA**

1, SN code: **BHRV**: "V" stands for door viewer

2, XX: manufacture year

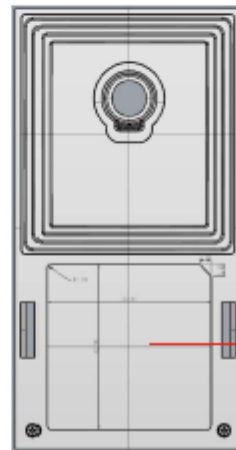
3, YY: manufacture week

4, CN: CNT: Foxconn (CNT)

5, AAAAAA: 000001-999999

4.3 MAC ID barcode: 12 digits; Code 128/B, Height: 4mm

5. Lable position



here