

1.3 Description

The certified WiLink 8 module from TI offers high throughput and extended range along with Wi-Fi and *Bluetooth* coexistence (WL1835MOD only) in a power-optimized design. The WL18x5MOD device is a 2.4-GHz module, two antenna solution. The device is FCC, IC, ETSI/CE, and TELEC certified for AP and client. TI offers drivers for high-level operating systems such as Linux®, Android™, WinCE, and RTOS.

Device Information

ORDER NUMBER	PACKAGE	BODY SIZE
WL1801MOD	MOC (100)	13.3 mm × 13.4 mm × 2 mm
WL1805MOD	MOC (100)	13.3 mm × 13.4 mm × 2 mm
WL1831MOD	MOC (100)	13.3 mm × 13.4 mm × 2 mm
WL1835MOD	MOC (100)	13.3 mm × 13.4 mm × 2 mm

1.4 Functional Block Diagram

Figure 1-1 shows a functional block diagram of the WL1835 variant.

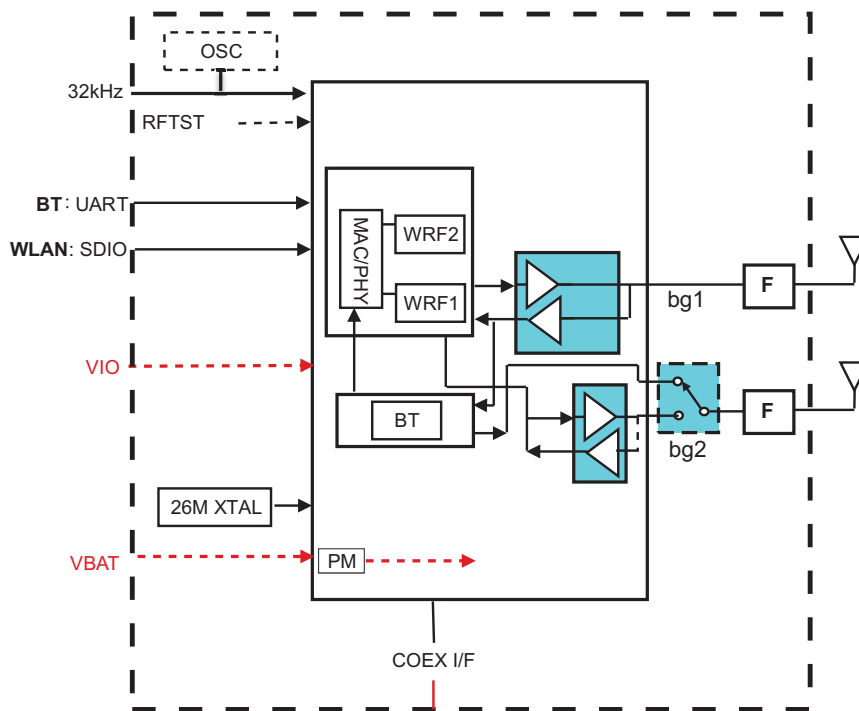


Figure 1-1. WL1835 Functional Block Diagram