

## How to mount your Ring Base Station on a wall (optional)

You can mount your Base Station on a wall using two wall anchors, two screws, and the mounting slots located on the unit. The Base Station can be horizontally mounted.

### Before you begin

**Please Note:** Ring Alarm is for indoor use **only**.

Before you begin, choose an appropriate mounting place. The wall can be made of cement, wood, or drywall. The mounting location should be free of obstructions on all sides, and the cables should be able to easily reach the Base Station without strain. Leave sufficient clearance between the bottom of the Base Station and any flooring or shelving underneath to allow access to cabling. In addition, leave enough slack in all cables so that the Base Station can be removed for any required maintenance without disconnecting the cables. Also, you will need the following items:

- Two wall anchors for #8 x 1-inch screws
- Two #8 x 1-inch pan head screws
- Drill with a 3/16-in. wood or masonry bit, as appropriate for the wall composition
- A copy of the wall-mounting illustrations shown in figure 2 (at right).
- Mount the Base Station as shown in figure 1 (at right)

### Location and dimensions of the wall-mounting slots

The following illustration shows the location and dimensions of the wall-mounting slots on the bottom of the Base Station. Use the information in figure 2 (at right) as a guide for mounting your Base Station to the wall.

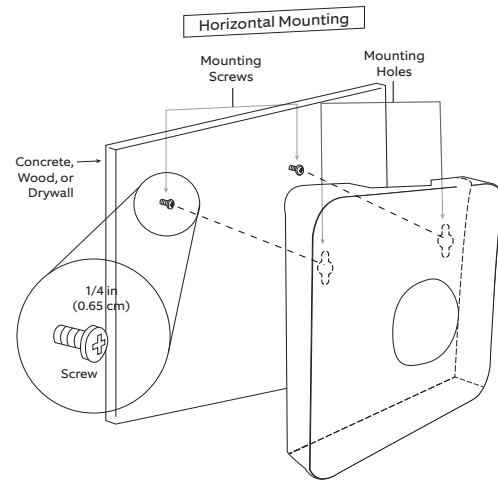


Fig. 1: Horizontal Mounting

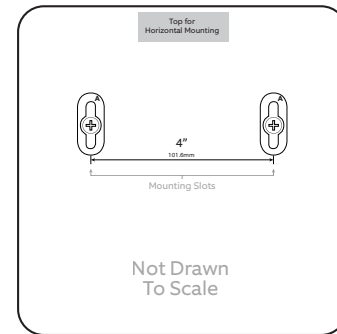


Fig. 2: Wall Mount



**ring** 1523 26th St.  
Santa Monica, CA 90404

Supplier's Declaration of Conformity:  
Compliance Information Statement

Unique Identifier: Ring Alarm Kit including the following devices:

Ring Base Station  
Ring Motion Detector  
Ring Keypad  
Ring Range Extender  
Ring Contact Sensor

Responsible Party and Party issuing Supplier's Declaration of Conformity:

Ring LLC dba Ring  
1523 26th Street  
Santa Monica, CA 90404 U.S.A.  
[www.ring.com](http://www.ring.com) [legal@ring.com](mailto:legal@ring.com)

FCC Compliance Statement (for products subject to Part 15)

This device complies with Part 15 of the FCC Rules. Operation is subject to the following two conditions: (1) This device may not cause harmful interference, and (2) this device must accept any interference received, including interference that may cause undesired operation.

This device complies with Industry Canada's license-exempt RSSs. Operation is subject to the following two conditions: (1) This device may not cause interference; and (2) This device must accept any interference, including interference that may cause undesired operation of the device.

Le présent appareil est conforme aux CNR d'Industrie Canada applicables aux appareils radio exempts de licence. L'exploitation est autorisée aux deux conditions suivantes: (1) l'appareil ne doit pas produire de brouillage, et (2) l'utilisateur de l'appareil doit accepter tout brouillage radioélectrique subi, même si le brouillage est susceptible d'en compromettre le fonctionnement.

CAN ICES-3 (B)/NMB-3(B) – This Class B digital apparatus complies with Canadian ICES-003. Cet appareil numérique de la classe B est conforme à la norme NMB-003 du Canada.

NOTE: This equipment has been tested and found to comply with the limits for a Class B digital device, pursuant to Part 15 of the FCC Rules. These limits are designed to provide reasonable protection against harmful interference in a residential installation. This equipment generates, uses, and can radiate radio frequency energy and, if not installed and used in accordance with the instructions, may cause harmful interference to radio communications.

However, there is no guarantee that interference will not occur in a particular installation. If this equipment does cause harmful interference to radio or television reception, which can be determined by turning the equipment off and on, the user is encouraged to try to correct the interference by one or more of the following measures:

- Reorient or relocate the receiving antenna.
- Increase the separation between the equipment and receiver.
- Connect the equipment into an outlet on a circuit different from that to which the receiver is connected.
- Consult the dealer or an experienced radio/TV technician for help.

**CAUTION:** To reduce the risk of electrical shock, DO NOT open the unit. There are no user serviceable parts inside the unit. Refer to customer support for any repairs.

**CAUTION:** Danger of explosion if battery is incorrectly replaced. Replace only with the same of equivalent type recommended by the manufacturer. Dispose of the used batteries according to the manufacturer's instructions.

**WARNING:** Changes or modifications to this unit not expressly approved by the party responsible for compliance could void the user's authority to operate the equipment.

**WARNING:** RF Exposure Compliance

The antenna(s) used for this transmitter must be installed to provide a separation distance of at least 20 cm from all persons and must not be co-located or operating in conjunction with any other product antenna or transmitter.

L'antenne utilisée pour le produit doit être installée de manière à assurer une distance de séparation d'au moins 20 cm de toutes les personnes et ne doit pas être installée en même temps ou fonctionner en conjonction avec une autre antenne ou émetteur de produit.

Protect the device from direct sunlight. Install the device at dry locations, and protect it against rain and humidity. The device may not get in contact with salt water or other conductive liquids. The device must be charged only within a building in a dry state.

This device may not be disassembled and used for any other purpose. This unit, and all the components are configured for the sole purpose of providing a security system. They are not approved for individual cellular use, battery use or other mishandling.

This device is not portable and must be used as a fixed device at a dedicated location in the house and operated with a power cord plugged into the wall. A mobile app must be used to set up the device. This device is not an Access point or Hotspot and should not be used as one.

The battery in the device is only for backup purposes. When the device is running on battery backup, it operates with a limited set of features.

To review your warranty coverage, please visit [www.ring.com/warranty](http://www.ring.com/warranty).

Version 1.2

