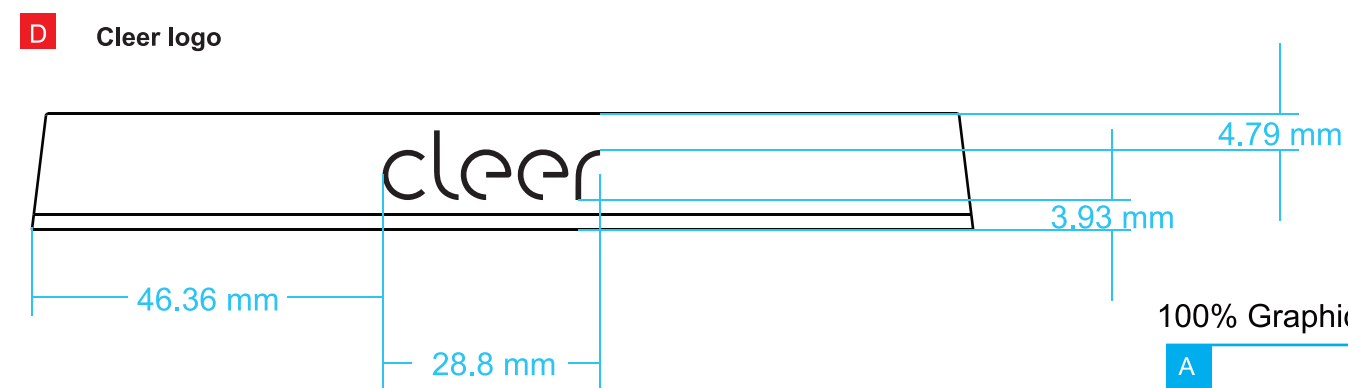
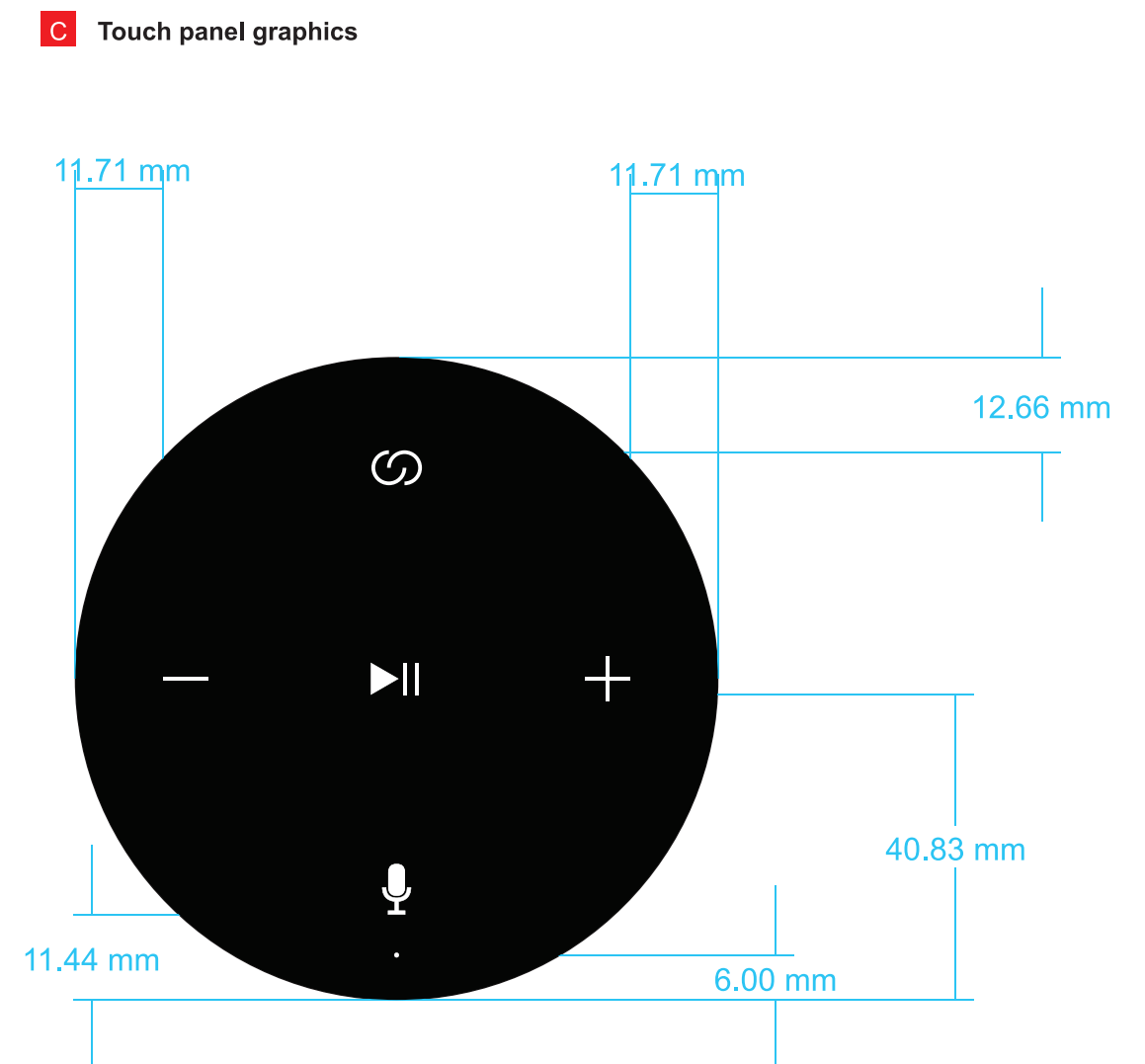
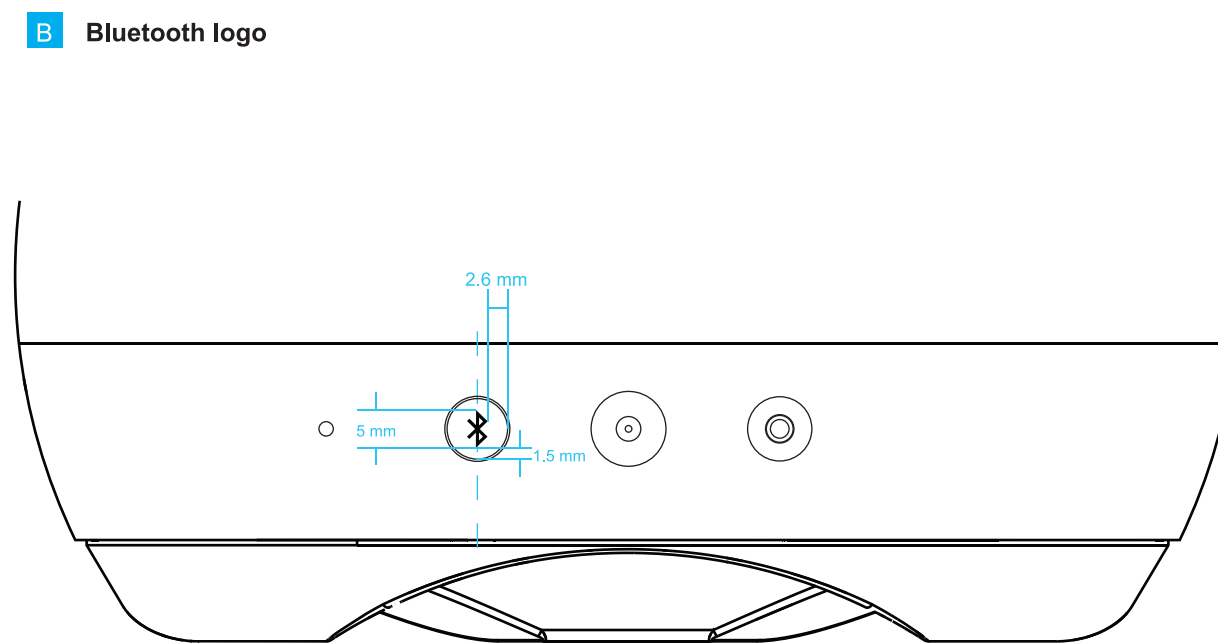
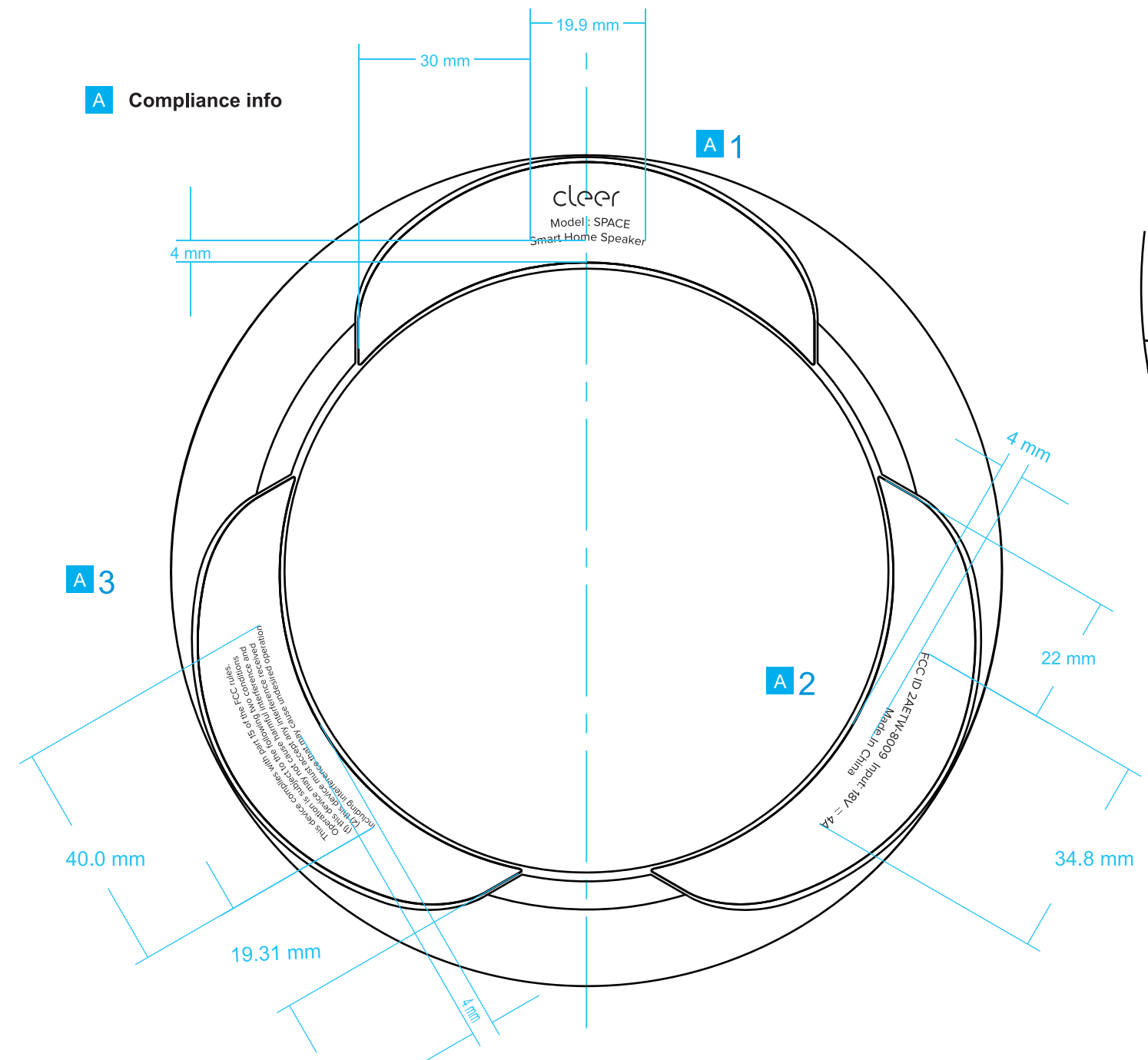
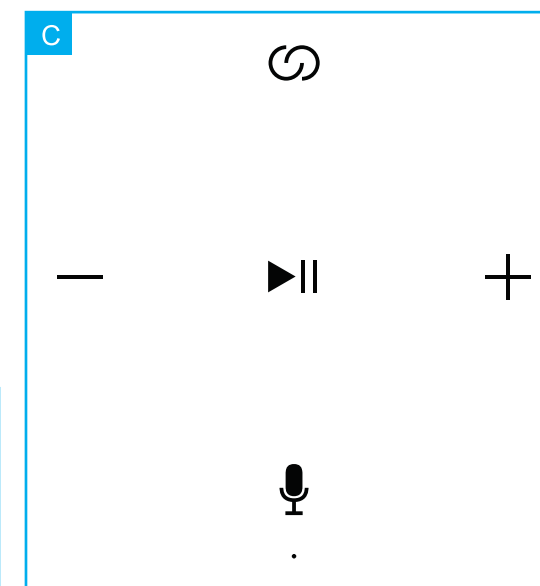
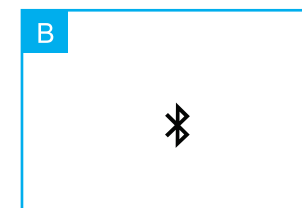
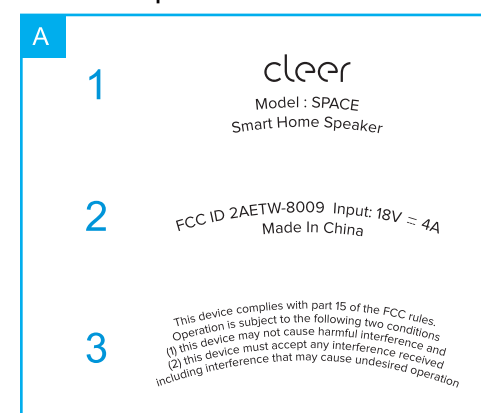


PART	COLOUR	TECHNIQUE	CHANGES / REMARKS	VER	
A	Compliance info	Pantone Cool gray 10C	Pad Printing	--	0.1
B	Bluetooth logo	Material color	In-Mold Engraving/ Depth - 0.25 mm, Finish : matte	--	0.1
C	Touch panel graphics	Pantone 432 C	Screen printing	The color is printed on the underside of the touch panel; colour changed to PMS 432 C	0.2
D	Cleer logo	Pantone Cool Grey 5 C	Screen printing	Changed from engraving to screen printing	0.2



100% Graphics art



Version history PRODUCT GRAPHICS DOCUMENT Scale: 100% Unit: mm

Version	Summary of updates	Approved for use by	Date	Version	Summary of updates	Approved for use by	Date
0.1	First draft	Adil	30 OCT 2018				
0.2	Logo and glass panel colour update	Kenneth Lam	14 DEC 2018				

Appendix: ISO - A series paper (mm)	Appendix: Types of drawing lines	Appendix: Tolerance (mm)
A4 - 210 x 297	Center line (center of an area)	Small parts, delta +/-0,15
A3 - 297 x 420	Thick line (boundary of product)	Medium parts, delta +/-0,25
A2 - 420 x 594	Thin line (inner size & descriptive detail)	Large parts, delta variant