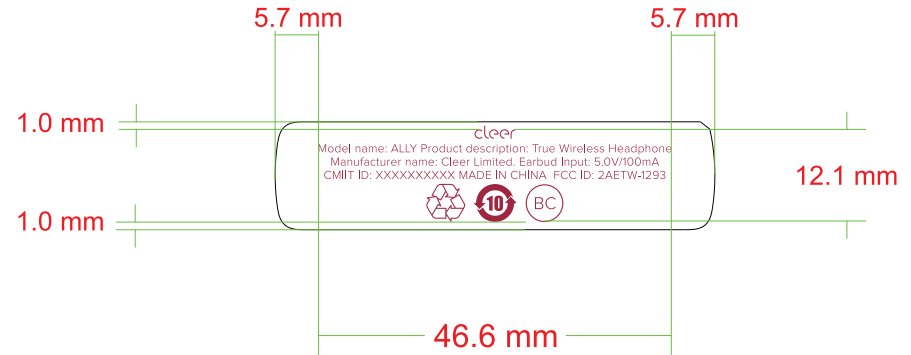
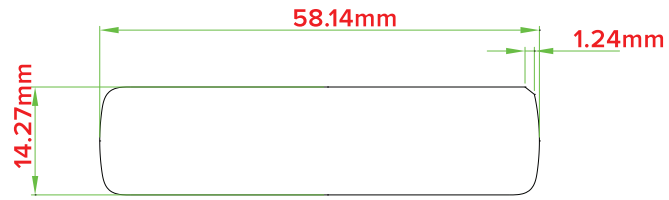


Rev.	Change Description	Date
A01	First Release	20181106

— Cut Line

DIE-CUT

Artwork



字体：Pantone 202C
 底色：参考塑胶件样板



NOTES:

1. DIMENSIONS: 58.14 X 14.27mm
2. MATERIAL: 25#黑色哑面PET (不可移胶)
3. MATERIAL THICKNESS: 0.05mm+/-10%
4. COATING: N/A
5. PRINTING COLOR: Pantone 202C
6. TOLERANCE: +/-0.5mm
7. MATERIAL MUST MEET ROHS COMPLIANT.

深圳市冠旭电子股份有限公司 SHEN ZHEN GRANDSUN ELECTRONIC CO., LTD.		Part NO.:	xxxxxxxxxx
X±0.5	X*±	Model: GS-1293	Part Name: Product label_RED
.X±0.2	.X*±		
.XX±0.1	.XX*±	Customer: CLEER	Drwng No.: N/A
	Approved: Ron To	Scale: 1:1	Size: A4
	Designed: EvA Ho	Unit: mm	Rev.: A01