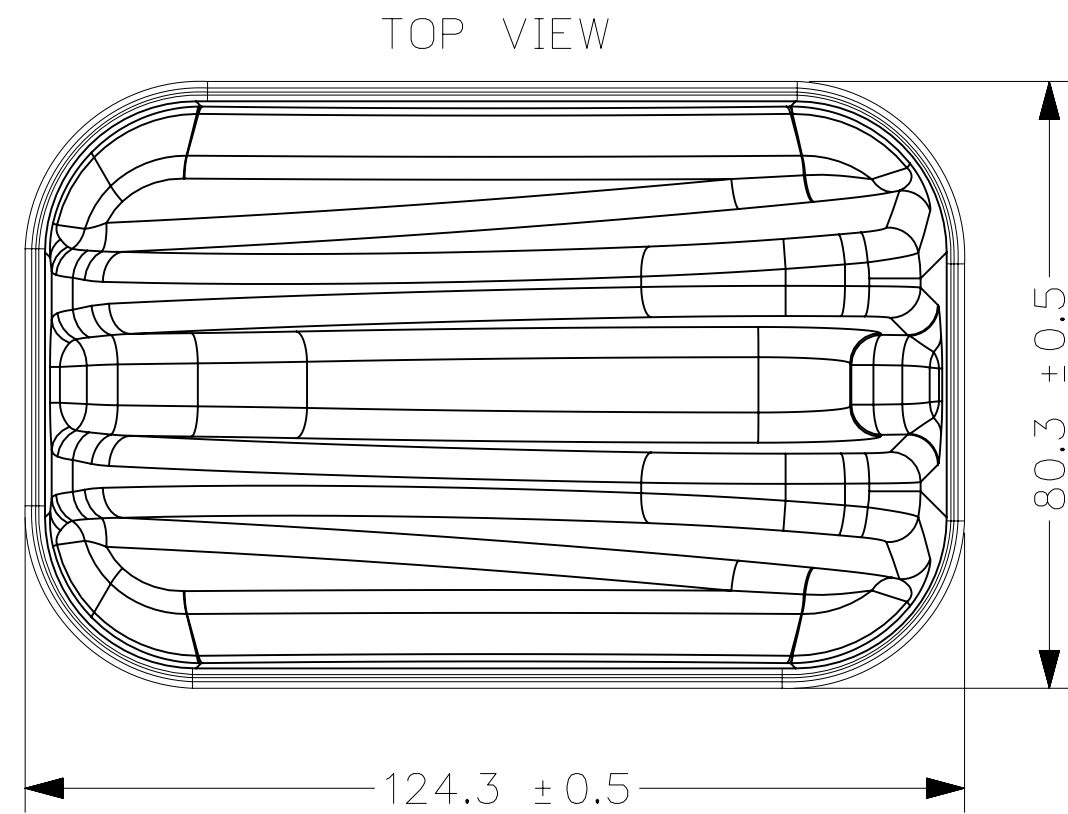
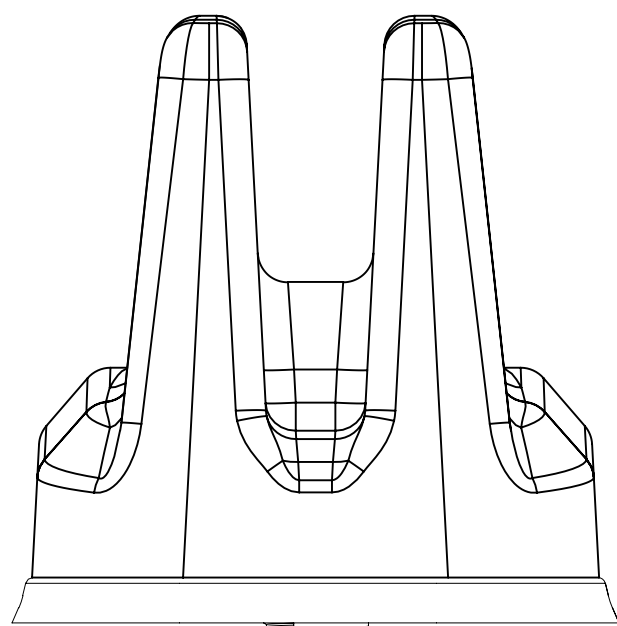
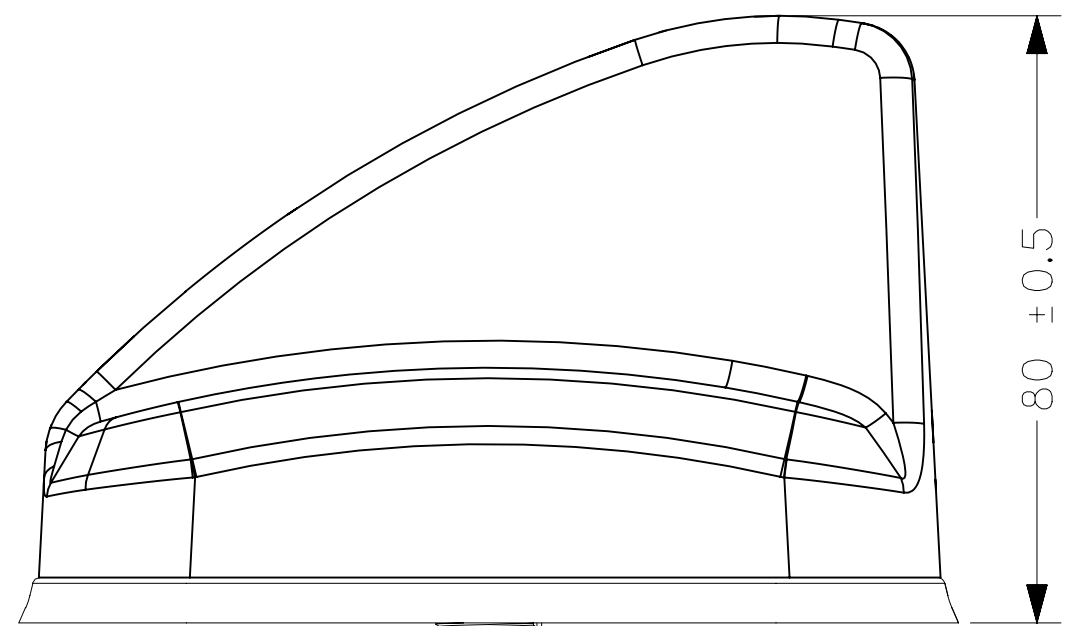
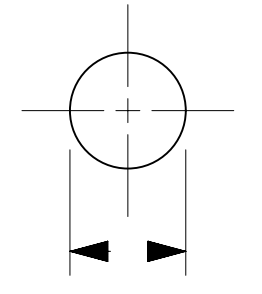


This document is our property. Any duplication, exploitation, transmission to a third party without our prior agreement is not allowed. In case of contravention we claim damages. All rights for patent application, use or design samples reserved. Delivery by approved suppliers only in accordance to the technical drawing, data sheets, tested and released samples. No changes without prior written permission of Hirschmann Electronics GmbH & Co. KG. In case of doubt, please ask I.

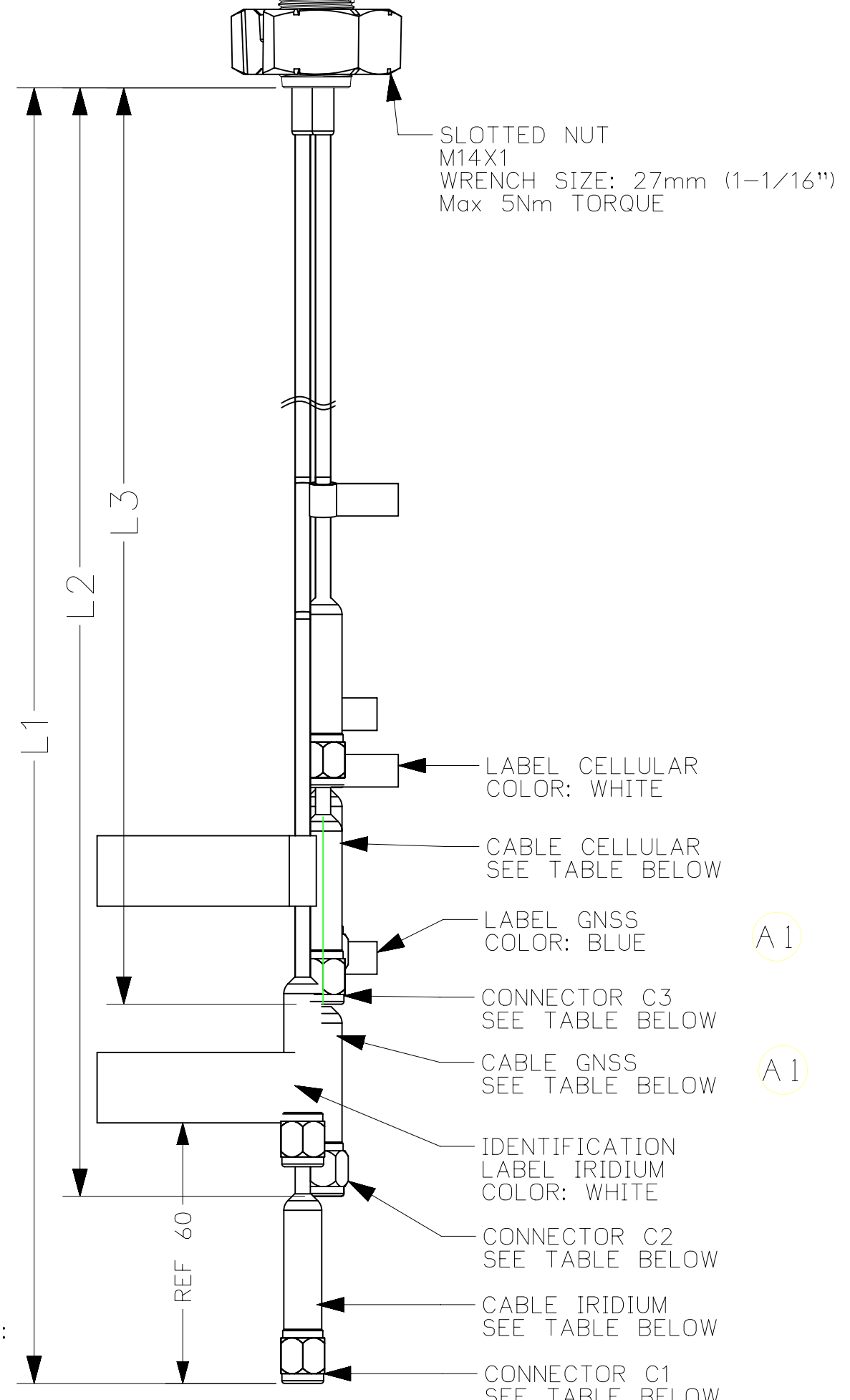
Change	No	Description of change	Date	ECO	DWN	CK
		INITIAL RELEASE	150311	1503-03	IS	AM
A	1	WAS GPS	150311	1503-03	IS	AM
A	2	WAS IRIDIUM-GPS-GLONASS-4G CELL ANTENNA	150311	1503-03	IS	AM



MOUNTING HOLE



Ø 15 ± 0.2 mm
0.59 ± 0.008 in



INDIVIDUAL PACKAGING INCLUDES:

- 1 PC. ANTENNA ASSEMBLY
- 1 PC. MOUNTING INSTRUCTIONS

CONFIDENTIAL

RoHS COMPLIANT

Material		Final state		Gross weight	Final weight
ECO		Tolerances DIN ISO 2768-m		Kg	Kg
Date		Name		UNITS	
150311		IOAN STAN		mm	
Scale		Finish quality		CAD System	
1:1		edges DIN ISO 13715		UG	
Released		Title		DIN A2 E D M	
		IRIDIUM-GNSS-4G CELL ANTENNA		Sheet 1 of 1	
Hirschmann Car Communication, Inc. 1183 Centre Rd Auburn Hills, Mi 48326, USA		REVISION REV_A		Drawing - No HIRD-S2-0146A-00	

HIRD-S2-0146A-01	3000 ± 50	RG-174 LL	SMA-m	3000 ± 50	RG-174 LL	SMA-m	3000 ± 50	RG-174 LL	SMA-m	DIRD-S2-0146A-01	955-054-001	590003D1
PART NUMBER	L1 (mm)	TYPE	C1	L2 (mm)	TYPE	C2	L3 (mm)	TYPE	C3	MANUFACTURING PART NUMBER	9DIGIT PART NUMBER	CUSTOMER PART NUMBER
	CABLE IRIDIUM			CABLE GNSS A1			CABLE CELLULAR					