

5GHz Antenna Datasheet

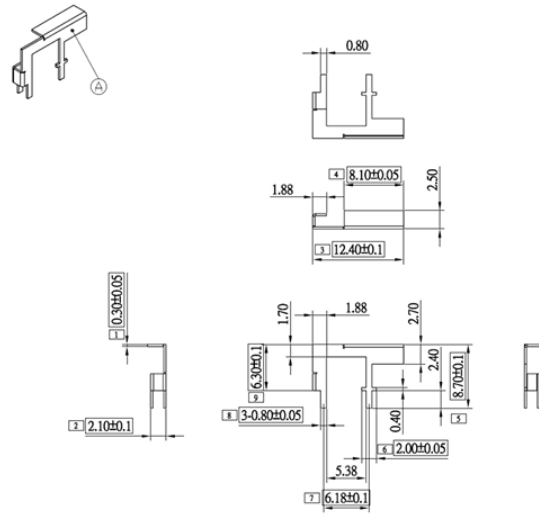
16th of January, 2024

Kaunas

Manufacturer: **TELTONIKA NETWORKS, UAB**
 Manufacturer Address: **K. Barsausko st. 66, LT-51436, Kaunas, Lithuania**

Product Name: **TAP200 5GHz Antenna**

ELECTRICAL
 Frequency:
 5.15~5.85 GHz



ELECTRICAL CHARACTERISTICS

Item	Specification
Working Frequency Range	5.15~5.85 GHz
Return Loss	-10dB(Max)
VSWR	2 max.
Peak Gain	5.02 dBi
Polarization	Linear Vertical
Radiation Pattern	Directional
Impedance	50Ω
Operation Temperature	-20℃ ~ +65℃

TELTONIKA NETWORKS UAB
 K. Barsausko st. 66, LT-51436
 Kaunas, Lithuania

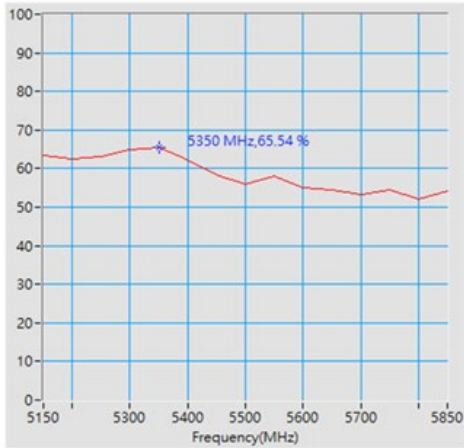
Registration code 305579419
 VAT number LT100013223510

Swedbank AB
 LT78 7300 0101 6274 0111
 S.W.I.F.T. HABALT22

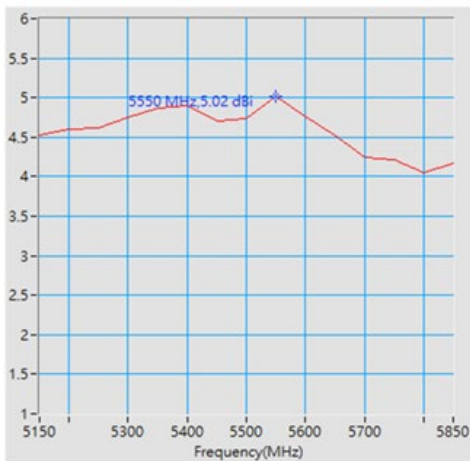
Data on the company is collected and stored in the Register of Legal Entities of the Republic of Lithuania.



Antenna Efficiency and Peak Gain
5150-5850 MHz



Maximum Efficiency at 5350 MHz : 65.54 %



Maximum Peak Gain at 5550 MHz : 5.02 dBi

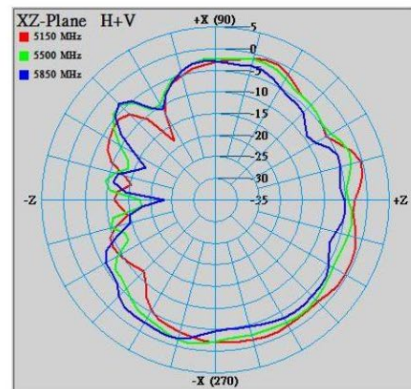
RADIATION PATTERN

5150-5850 MHz

X-Z Plane

Phi=0.00deg

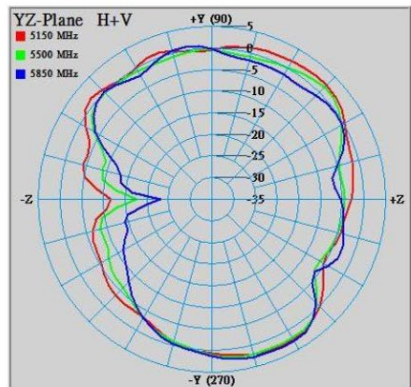
Gain . dB



Y-Z Plane

Phi=90.00deg

Gain . dB



TELTONIKA NETWORKS UAB
K. Barsausko st. 66, LT-51436
Kaunas, Lithuania

Registration code 305579419
VAT number LT100013223510

Swedbank AB
LT78 7300 0101 6274 0111
S.W.I.F.T. HABALT22

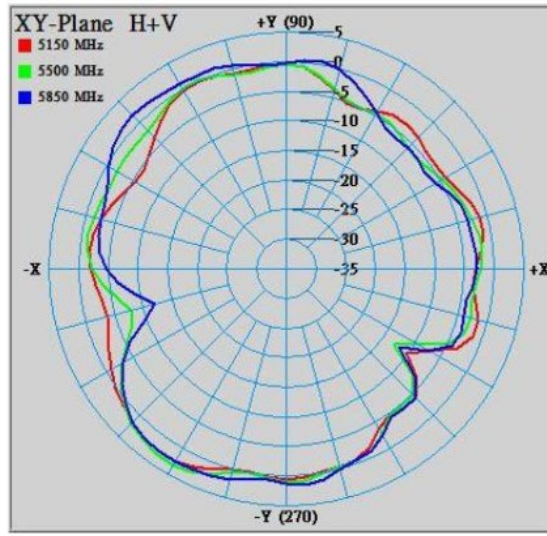
Data on the company is collected and stored in the Register of Legal Entities of the Republic of Lithuania.



X-Y Plane

Theta=90.00deg

Gain . dB



Frequency [MHz]	ZX plane		ZY plane		XY plane	
	Max Value [dB]	Average [dB]	Max Value [dB]	Average [dB]	Max Value [dB]	Average [dB]
5150	-0.36	-3.70	2.51	-0.67	2.64	-1.59
5500	-1.27	-4.06	2.12	-1.60	3.26	-1.54
5850	-1.68	-5.14	2.78	-1.77	2.54	-1.15

TELTONIKA NETWORKS UAB
K. Barsausko st. 66, LT-51436
Kaunas, Lithuania

Registration code 305579419
VAT number LT100013223510

Swedbank AB
LT78 7300 0101 6274 0111
S.W.I.F.T. HABALT22

Data on the company is collected and stored in the Register of Legal Entities of the Republic of Lithuania.

