



# EMC TEST REPORT

**Applicant** UAB Teltonika  
**FCC ID** 2AET4RUT240V  
**Product** LTE Router  
**Brand** Teltonika  
**Model** RUT240  
**Report No.** RXA1708-0301EMC01R1  
**Issue Date** December 20, 2017

TA Technology (Shanghai) Co., Ltd. tested the above equipment in accordance with the requirements in **FCC Code CFR47 Part15B (2017)/ ANSI C63.4 (2014)**. The test results show that the equipment tested is capable of demonstrating compliance with the requirements as documented in this report.

*Wei Liu*

*Guangchang Fan*

*Performed by: Wei Liu/ Manager*

*Approved by: Guangchang Fan/ Director*

**TA Technology (Shanghai) Co., Ltd.**

*No.145, Jintang Rd, Tangzhen Industry Park, Pudong Shanghai, China*

*TEL: +86-021-50791141/2/3*

*FAX: +86-021-50791141/2/3-8000*



## Table of Contents

|     |   |    |
|-----|---|----|
| 1   | Test Laboratory.....                                    | 4  |
| 1.1 | Notes of the Test Report.....                           | 4  |
| 1.2 | Test facility.....                                      | 4  |
| 1.3 | Testing Location.....                                   | 5  |
| 2   | General Description of Equipment under Test.....        | 6  |
| 2.1 | Client Information.....                                 | 6  |
| 2.2 | General information.....                                | 6  |
| 2.3 | Applied Standards.....                                  | 7  |
| 2.4 | Test Configuration.....                                 | 8  |
| 3   | Test Case Results.....                                  | 9  |
| 3.1 | Radiated Emission.....                                  | 9  |
| 3.2 | Conducted Emission.....                                 | 15 |
| 4   | Main Test Instrument.....                               | 18 |
|     | ANNEX A: The EUT Appearance and Test Configuration..... | 19 |
|     | A.1 EUT Appearance.....                                 | 19 |
|     | A.2 Test Setup.....                                     | 20 |
|     | A.3 Auxiliary test equipment.....                       | 22 |



### Summary of measurement results

| Number  | Test Case          | Clause in FCC Rules     | Conclusion |
|---|--------------------|-------------------------|------------|
| 1   | Radiated Emission  | 15.109, ANSI C63.4-2014 | PASS       |
| 2   | Conducted Emission | 15.107, ANSI C63.4-2014 | PASS       |
| Date of Testing: November 5, 2017 ~ December 19, 2017 |                    |                         |            |

# 1 Test Laboratory

## 1.1 Notes of the Test Report

This report shall not be reproduced in full or partial, without the written approval of **TA technology (shanghai) co., Ltd.** The results documented in this report apply only to the tested sample, under the conditions and modes of operation as described herein .Measurement Uncertainties were not taken into account and are published for informational purposes only. This report is written to support regulatory compliance of the applicable standards stated above.

## 1.2 Test facility

### **CNAS (accreditation number: L2264)**

TA Technology (Shanghai) Co., Ltd. has obtained the accreditation of China National Accreditation Service for Conformity Assessment (CNAS).

### **FCC (Designation number: CN1179, Test Firm Registration Number: 446626)**

TA Technology (Shanghai) Co., Ltd. has been listed on the US Federal Communications Commission list of test facilities recognized to perform electromagnetic emissions measurements.

### **IC (recognition number is 8510A)**

TA Technology (Shanghai) Co., Ltd. has been listed by industry Canada to perform electromagnetic emission measurement.

### **VCCI (recognition number is C-4595, T-2154, R-4113, G-10766)**

TA Technology (Shanghai) Co., Ltd. has been listed by industry Japan to perform electromagnetic emission measurement.

### **A2LA (Certificate Number: 3857.01)**

TA Technology (Shanghai) Co., Ltd. has been listed by American Association for Laboratory Accreditation to perform electromagnetic emission measurement.



### 1.3 Testing Location

Company: TA Technology (Shanghai) Co., Ltd.  
Address: No.145, Jintang Rd, Tangzhen Industry Park, Pudong Shanghai, China  
City: Shanghai  
Post code: 201201  
Country: P. R. China  
Contact: Xu Kai  
Telephone: +86-021-50791141/2/3  
Fax: +86-021-50791141/2/3-8000  
Website: <http://www.ta-shanghai.com>  
E-mail: [xukai@ta-shanghai.com](mailto:xukai@ta-shanghai.com)

## 2 General Description of Equipment under Test

### 2.1 Client Information

|                             |   |
|-----------------------------|---|
| <b>Applicant</b>            | UAB TELTONIKA                           |
| <b>Applicant address</b>    | Saltoniskiu st. 10c, Vilnius, Lithuania |
| <b>Manufacturer</b>         | UAB TELTONIKA                           |
| <b>Manufacturer address</b> | Saltoniskiu st. 10c, Vilnius, Lithuania |

### 2.2 General information

| EUT Description   |  |               |               |
|---|--|---------------|---------------|
| Device Type:  | Portable Device  |               |               |
| Product Name:   | LTE Router   |               |               |
| Model Number:   | RUT240   |               |               |
| IMEI:   | 861107031948582  |               |               |
| HW Version:   | 5  |               |               |
| SW Version:   | RUT2XX_R_00.00.284   |               |               |
| Antenna Type:   | Sub or Retractable Antenna   |               |               |
| Test Mode:  | Transfer Data Mode   |               |               |
| Frequency:  |  | TX:           | RX:           |
|   | LTE Band 4   | 1710 ~ 1755   | 2110 ~ 2155   |
|   | LTE Band 13  | 777 ~ 787     | 746 ~ 756     |
|   | WIFI 2.4G:   | 2400 ~ 2483.5 | 2400 ~ 2483.5 |
| Modulation:   | LTE: QPSK; 16QAM; 64QAM;<br>WLAN 802.11b: DSSS<br>WLAN 802.11g/n: OFDM |               |               |
| EUT Accessory   |  |               |               |
| Adapter   | Manufacturer: Shenzhen Shengji Mains CO., LTD<br>Model: SJ-09010033    |               |               |
| LTE antenna   | Manufacturer: Beyondoor<br>Model: BY-LTE-03-03-Silkscreen-LTE          |               |               |
| WiFi antenna  | Manufacturer: Beyondoor<br>Model: BY-2400-05-05-01-Silkscreen-WiFi     |               |               |
| Auxiliary test equipment  |  |               |               |
| PC  | PC Manufacturer: Dell<br>Model: E5430 (SN : R98M9 A02)                 |               |               |
| Remark: The information of the EUT is declared by the manufacturer. |  |               |               |



## 2.3 Applied Standards

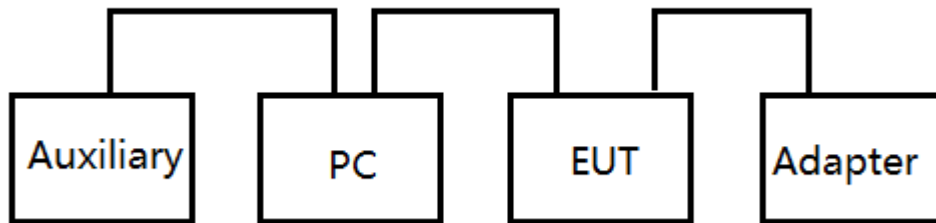
According to the specifications of the manufacturer, it must comply with the requirements of the following standards:

### Test standards

**FCC Code CFR47 Part15B (2017)**

**ANSI C63.4 (2014)**

## 2.4 Test Configuration





### 3 Test Case Results

#### 3.1 Radiated Emission

##### Ambient condition

| Temperature | Relative humidity | Pressure |
|-------------|-------------------|----------|
| 24°C~26°C   | 45%~50%           | 102.5kPa |

##### Methods of Measurement

The EUT is placed on a non-metallic table 0.8m above the horizontal metal reference ground plane. The distance between EUT and receive antenna should be 3 meters. During the test, the EUT was operating in its typical mode. The test method is according to ANSI C63.4-2014. Sweep the whole frequency band through the range from 30MHz to the 5th harmonic of the carrier. During the test, the height of receive antenna shall be moved from 1 to 4 meters, and the antenna shall be performed under horizontal and vertical polarization. The turn table shall be rotated from 0 to 360 degrees for detecting the maximum of radiated signal level.

The data of cable loss and antenna factor has been calibrated in full testing frequency range before the testing. During the test, the EUT is worked at maximum output power.

Set the spectrum analyzer in the following:

Below 1GHz:

RBW=100 kHz / VBW=300 kHz / Sweep=AUTO

Above 1GHz:

(a) PEAK: RBW=1MHz / VBW=3MHz / Sweep=AUTO

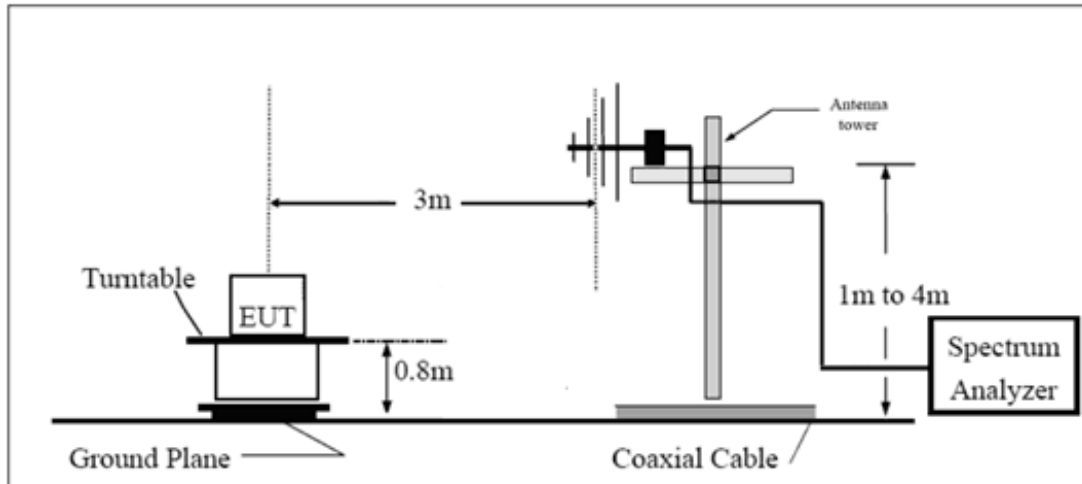
(b) AVERAGE: RBW=1MHz / VBW=3MHz / Sweep=AUTO

The radiated emission was measured in the following position: EUT stand-up position (Z axis), lie-down position (X, Y axis). The worst emission was found in stand-up position (Z axis) and the worst case was recorded.

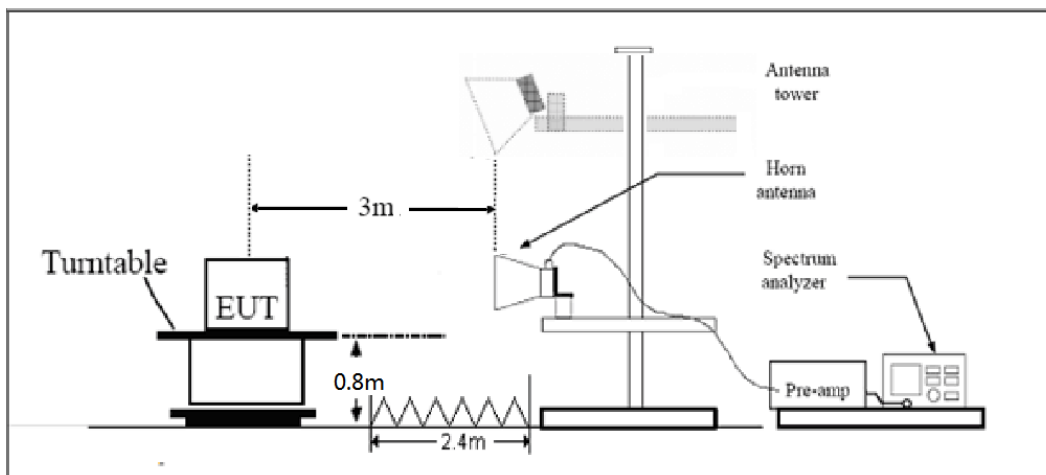
During the test, EUT connected power supply, and EUT is connected to a laptop via a network cable in the case of communication.

## Test Setup

### Below 1GHz



### Above 1GHz



Note: Area side:2.4mX3.6m

Antenna Tower meets ANSI C63.4 requirements for measurements above 1 GHz by keeping the antenna aimed at the EUT during the antenna's ascent/ descent along the antenna mast.

**Limits**

| Frequency (MHz)   | Field Strength (dB $\mu$ V/m) | Detector        |
|---|-------------------------------|-----------------|
| 30 -88  | 40.0                          | Quasi-peak      |
| 88-216  | 43.5                          | Quasi-peak      |
| 216 – 960   | 46.0                          | Quasi-peak      |
| 960-1000  | 54.0                          | Quasi-peak      |
| 1000-5 <sup>th</sup> harmonic of the highest frequency or 40GHz, which is lower | 54<br>74                      | Average<br>Peak |

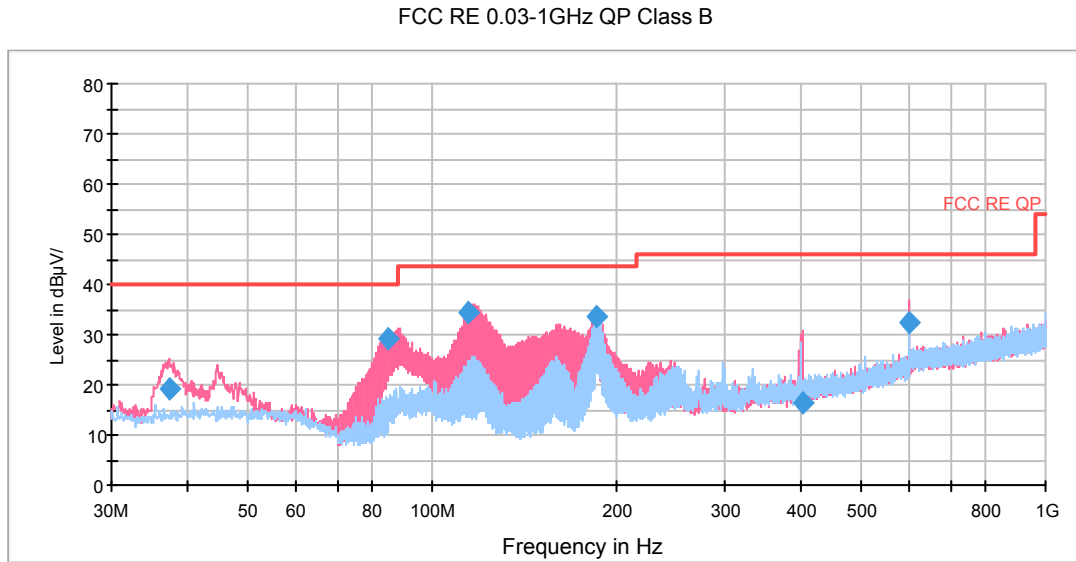
**Measurement Uncertainty**

The assessed measurement uncertainty to ensure 95% confidence level for the normal distribution is with the coverage factor  $k = 1.96$ .  $U = 3.704$  dB.

**Test Results**

During the test, the preliminary test was performed in all frequency bands, WIFI 2.4G 802.11b CH1 are selected as the worst condition. The test data of the worst-case condition was recorded in this report.

The following graphs display the maximum values of horizontal and vertical by software. For above 1GHz, Blue trace uses the peak detection, Green trace uses the average detection.

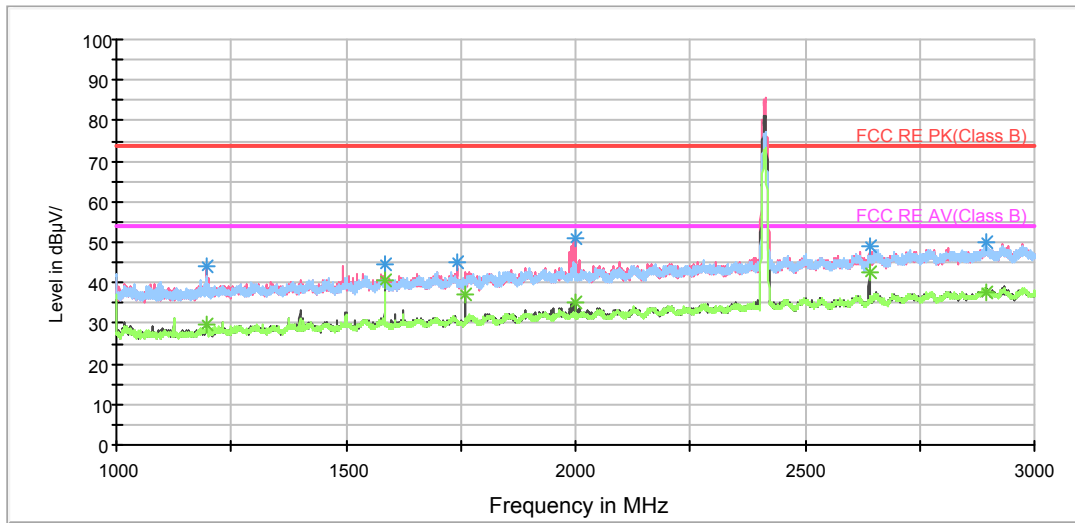


Radiated Emission from 30MHz to 1GHz

| Frequency (MHz) | Quasi-Peak (dBuV/m) | Reading value (dBuV/m) | Height (cm) | Polarization | Azimuth (deg) | Correct Factor (dB) | Margin (dB) | Limit (dBuV/m) |
|-----------------|---------------------|------------------------|-------------|--------------|---------------|---------------------|-------------|----------------|
| 37.178000       | 19.1                | 6.5                    | 100.0       | V            | 314.0         | 12.6                | 20.9        | 40.0           |
| 84.982000       | 29.1                | 18.9                   | 114.0       | V            | 0.0           | 10.2                | 10.9        | 40.0           |
| 114.857000      | 34.5                | 23.0                   | 100.0       | V            | 337.0         | 11.5                | 9.0         | 43.5           |
| 185.901000      | 33.6                | 22.3                   | 114.0       | V            | 159.0         | 11.3                | 9.9         | 43.5           |
| 401.779000      | 16.3                | -1.7                   | 125.0       | V            | 0.0           | 18.0                | 29.7        | 46.0           |
| 599.972000      | 32.5                | 9.6                    | 100.0       | V            | 277.0         | 22.9                | 13.5        | 46.0           |

- Remark:**
1. Quasi-Peak = Reading value + Correction factor
  2. Correction Factor = Antenna factor+ Insertion loss(cable loss+amplifier gain)
  3. Margin = Limit – Quasi-Peak

RE 1G-3GHz PK+AV

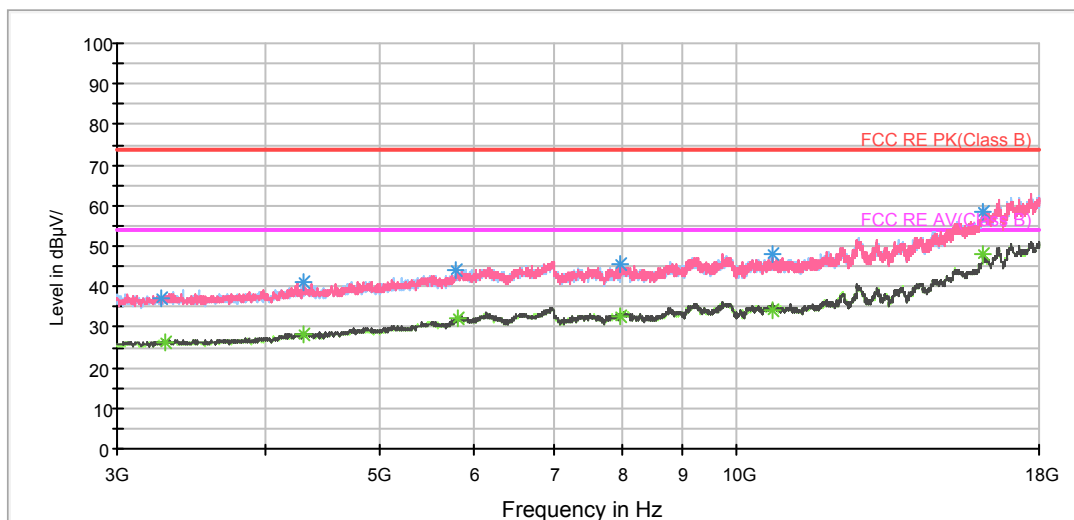


Radiated Emission from 1GHz to 3GHz

| Frequency (MHz) | Peak (dBuV/m) | Reading value (dBuV/m) | Height (cm) | Polarization | Azimuth (deg) | Correct Factor (dB) | Margin (dB) | Limit (dBuV/m) |
|-----------------|---------------|------------------------|-------------|--------------|---------------|---------------------|-------------|----------------|
| 1195.750000     | 43.9          | 52.1                   | 200.0       | V            | 137.0         | -8.2                | 30.1        | 74             |
| 1584.000000     | 44.6          | 50.9                   | 200.0       | V            | 190.0         | -6.3                | 29.4        | 74             |
| 1743.500000     | 45.1          | 50.0                   | 100.0       | V            | 98.0          | -4.9                | 28.9        | 74             |
| 1999.250000     | 50.9          | 54.3                   | 300.0       | V            | 174.0         | -3.4                | 23.1        | 74             |
| 2640.250000     | 48.9          | 48.7                   | 100.0       | V            | 107.0         | 0.2                 | 25.1        | 74             |
| 2895.750000     | 50.1          | 48.0                   | 199.0       | H            | 241.0         | 2.1                 | 23.9        | 74             |

| Frequency (MHz) | Average (dBuV/m) | Reading value (dBuV/m) | Height (cm) | Polarization | Azimuth (deg) | Correct Factor (dB) | Margin (dB) | Limit (dBuV/m) |
|-----------------|------------------|------------------------|-------------|--------------|---------------|---------------------|-------------|----------------|
| 1195.750000     | 29.6             | 37.8                   | 200.0       | V            | 137.0         | -8.2                | 24.4        | 54             |
| 1584.000000     | 40.7             | 47.0                   | 200.0       | V            | 190.0         | -6.3                | 13.3        | 54             |
| 1760.000000     | 36.9             | 41.7                   | 200.0       | V            | 111.0         | -4.8                | 17.1        | 54             |
| 1999.500000     | 35.3             | 38.7                   | 300.0       | V            | 174.0         | -3.4                | 18.7        | 54             |
| 2640.000000     | 42.7             | 42.5                   | 100.0       | V            | 107.0         | 0.2                 | 11.3        | 54             |
| 2895.750000     | 37.6             | 35.5                   | 199.0       | H            | 241.0         | 2.1                 | 16.4        | 54             |

RE 3-18GHz PK+AV



Radiated Emission from 3GHz to 18GHz

| Frequency (MHz) | Peak (dBuV/m) | Reading value (dBuV/m) | Height (cm) | Polarization | Azimuth (deg) | Correct Factor (dB) | Margin (dB) | Limit (dBuV/m) |
|-----------------|---------------|------------------------|-------------|--------------|---------------|---------------------|-------------|----------------|
| 3270.000000     | 37.3          | 39.6                   | 100.0       | H            | 0.0           | -2.3                | 36.7        | 74             |
| 4306.875000     | 41.0          | 40.3                   | 100.0       | V            | 3.0           | 0.7                 | 33.0        | 74             |
| 5793.750000     | 44.1          | 40.0                   | 100.0       | H            | 236.0         | 4.1                 | 29.9        | 74             |
| 7981.875000     | 45.4          | 38.0                   | 100.0       | H            | 89.0          | 7.4                 | 28.6        | 74             |
| 10702.500000    | 48.0          | 37.5                   | 100.0       | H            | 77.0          | 10.5                | 26.0        | 74             |
| 16160.625000    | 58.2          | 36.7                   | 100.0       | H            | 164.0         | 21.5                | 15.8        | 74             |

| Frequency (MHz) | Average (dBuV/m) | Reading value (dBuV/m) | Height (cm) | Polarization | Azimuth (deg) | Correct Factor (dB) | Margin (dB) | Limit (dBuV/m) |
|-----------------|------------------|------------------------|-------------|--------------|---------------|---------------------|-------------|----------------|
| 3298.125000     | 26.1             | 28.3                   | 100.0       | H            | 236.0         | -2.2                | 27.9        | 54             |
| 4306.875000     | 28.3             | 27.6                   | 100.0       | V            | 3.0           | 0.7                 | 25.7        | 54             |
| 5820.000000     | 31.9             | 27.4                   | 100.0       | V            | 39.0          | 4.5                 | 22.1        | 54             |
| 7981.875000     | 32.7             | 25.3                   | 100.0       | H            | 89.0          | 7.4                 | 21.3        | 54             |
| 10702.500000    | 34.3             | 23.8                   | 100.0       | H            | 77.0          | 10.5                | 19.7        | 54             |
| 16160.625000    | 48.0             | 26.5                   | 100.0       | H            | 164.0         | 21.5                | 6.0         | 54             |

### 3.2 Conducted Emission

#### Ambient condition

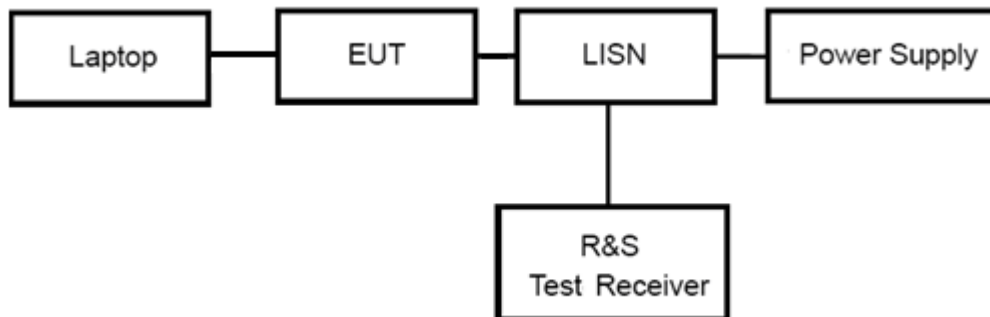
|             |                   |          |
|-------------|-------------------|----------|
| Temperature | Relative humidity | Pressure |
| 24°C ~26°C  | 50%~55%           | 102.5kPa |

#### Methods of Measurement

The EUT is placed on a non-metallic table of 80cm height above the horizontal metal reference ground plane. During the test, the EUT was operating in its typical mode. The test method is according to ANSI C63.4-2014. Connect the AC power line of the EUT to the L.I.S.N. Use EMI receiver to detect the average and Quasi-peak value. RBW is set to 9 kHz, VBW is set to 30kHz. The measurement result should include both L line and N line.

During the test, EUT connected power supply, and EUT is connected to a laptop via a network cable in the case of communication.

#### Test Setup



Note: Power Supply is AC Power source and it is used to change the voltage 120V/60Hz.

#### Limits

| Frequency (MHz) | Conducted Limits(dBμV) |            |
|-----------------|------------------------|------------|
|                 | Quasi-peak             | Average    |
| 0.15 - 0.5      | 66 to 56 *             | 56 to 46 * |
| 0.5 - 5         | 56                     | 46         |
| 5 - 30          | 60                     | 50         |

\*: Decreases with the logarithm of the frequency.

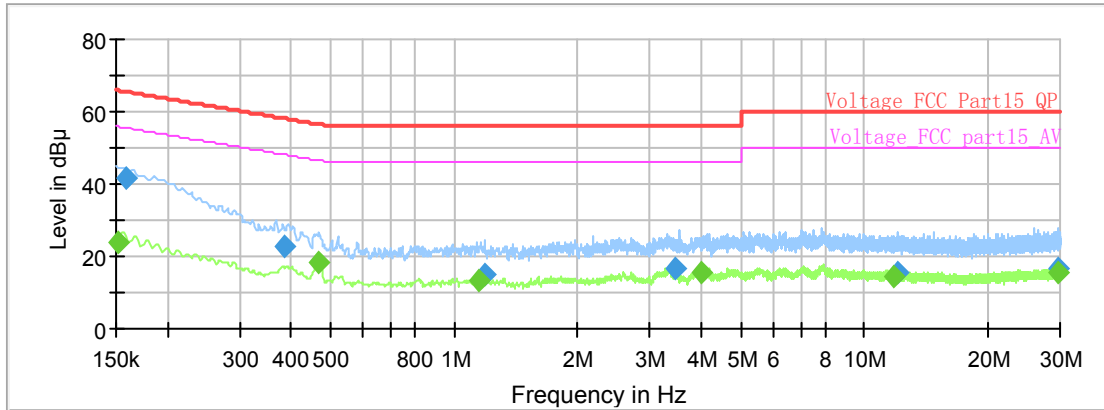
#### Measurement Uncertainty

The assessed measurement uncertainty to ensure 95% confidence level for the normal distribution is with the coverage factor  $k = 1.96$ .  $U = 2.57\text{dB}$ .

**Test Results**

During the test, the preliminary test was performed in all frequency bands, WIFI 2.4G 802.11b CH1 are selected as the worst condition. The test data of the worst-case condition was recorded in this report.

Following plots, Blue trace uses the peak detection; Green trace uses the average detection.

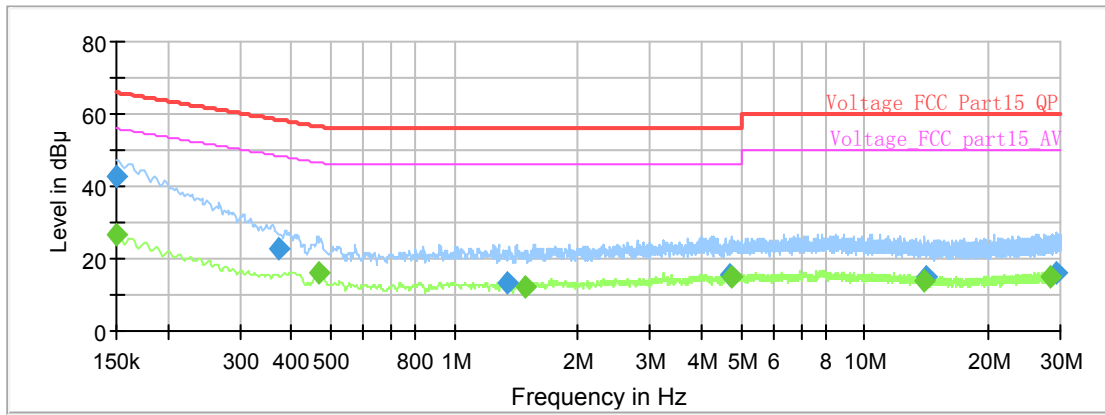


| Frequency (MHz) | QuasiPeak (dB µ V) | Average (dB µ V) | Limit (dB µ V) | Margin (dB) | Meas. Time (ms) | Bandwidth (kHz) | Line | Filter | Corr. (dB) |
|-----------------|--------------------|------------------|----------------|-------------|-----------------|-----------------|------|--------|------------|
| 0.152250        | ---                | 23.68            | 55.88          | 32.20       | 1000.0          | 9.000           | L1   | ON     | 19.6       |
| 0.159000        | 41.72              | ---              | 65.52          | 23.80       | 1000.0          | 9.000           | L1   | ON     | 19.6       |
| 0.386250        | 22.64              | ---              | 58.14          | 35.51       | 1000.0          | 9.000           | L1   | ON     | 19.6       |
| 0.467250        | ---                | 18.26            | 46.56          | 28.31       | 1000.0          | 9.000           | L1   | ON     | 19.6       |
| 1.146750        | ---                | 13.09            | 46.00          | 32.91       | 1000.0          | 9.000           | L1   | ON     | 19.6       |
| 1.191750        | 14.90              | ---              | 56.00          | 41.10       | 1000.0          | 9.000           | L1   | ON     | 19.6       |
| 3.459750        | 16.60              | ---              | 56.00          | 39.40       | 1000.0          | 9.000           | L1   | ON     | 19.6       |
| 4.013250        | ---                | 15.47            | 46.00          | 30.53       | 1000.0          | 9.000           | L1   | ON     | 19.6       |
| 11.823000       | ---                | 14.45            | 50.00          | 35.55       | 1000.0          | 9.000           | L1   | ON     | 19.9       |
| 12.070500       | 15.56              | ---              | 60.00          | 44.44       | 1000.0          | 9.000           | L1   | ON     | 19.9       |
| 29.584500       | ---                | 15.42            | 50.00          | 34.58       | 1000.0          | 9.000           | L1   | ON     | 20.1       |
| 29.661000       | 16.68              | ---              | 60.00          | 43.32       | 1000.0          | 9.000           | L1   | ON     | 20.1       |

L line

Conducted Emission from 150 KHz to 30 MHz





| Frequency (MHz) | QuasiPeak (dB µ V) | Average (dB µ V) | Limit (dB µ V) | Margin (dB) | Meas. Time (ms) | Bandwidth (kHz) | Line | Filter | Corr. (dB) |
|-----------------|--------------------|------------------|----------------|-------------|-----------------|-----------------|------|--------|------------|
| 0.150000        | ---                | 26.54            | 56.00          | 29.46       | 1000.0          | 9.000           | N    | ON     | 19.7       |
| 0.150000        | 42.93              | ---              | 66.00          | 23.07       | 1000.0          | 9.000           | N    | ON     | 19.7       |
| 0.372750        | 22.95              | ---              | 58.44          | 35.49       | 1000.0          | 9.000           | N    | ON     | 19.6       |
| 0.469500        | ---                | 16.39            | 46.52          | 30.14       | 1000.0          | 9.000           | N    | ON     | 19.6       |
| 1.340250        | 13.49              | ---              | 56.00          | 42.51       | 1000.0          | 9.000           | N    | ON     | 19.6       |
| 1.482000        | ---                | 12.48            | 46.00          | 33.52       | 1000.0          | 9.000           | N    | ON     | 19.6       |
| 4.670250        | 15.81              | ---              | 56.00          | 40.19       | 1000.0          | 9.000           | N    | ON     | 19.7       |
| 4.728750        | ---                | 14.75            | 46.00          | 31.25       | 1000.0          | 9.000           | N    | ON     | 19.7       |
| 14.003250       | ---                | 14.03            | 50.00          | 35.97       | 1000.0          | 9.000           | N    | ON     | 19.9       |
| 14.068500       | 15.16              | ---              | 60.00          | 44.84       | 1000.0          | 9.000           | N    | ON     | 19.9       |
| 28.475250       | ---                | 14.97            | 50.00          | 35.03       | 1000.0          | 9.000           | N    | ON     | 19.9       |
| 29.258250       | 16.29              | ---              | 60.00          | 43.71       | 1000.0          | 9.000           | N    | ON     | 19.9       |

N line  
Conducted Emission from 150 KHz to 30 MHz

## 4 Main Test Instrument

| Name                     | Manufacturer | Type      | Serial Number | Last Cal.  | Cal. Due Date |
|--------------------------|--------------|-----------|---------------|------------|---------------|
| Signal Analyzer          | R&S          | FSV30     | 100815        | 2016-12-16 | 2017-12-15    |
| Signal Analyzer          | R&S          | FSV30     | 100815        | 2017-12-15 | 2018-12-14    |
| EMI Test Receiver        | R&S          | ESCI      | 100948        | 2017-05-20 | 2018-05-19    |
| Loop Antenna             | SCHWARZBECK  | FMZB1519  | 1519-047      | 2017-02-18 | 2019-02-17    |
| TRILOG Broadband Antenna | Schwarzbeck  | VULB 9163 | 9163-201      | 2014-12-06 | 2017-12-05    |
| TRILOG Broadband Antenna | SCHWARZBECK  | VUBL 9163 | 9163-201      | 2017-11-18 | 2020-11-17    |
| Horn Antenna             | R&S          | HF907     | 100126        | 2014-12-06 | 2019-12-05    |
| Horn Antenna             | ETS-Lindgren | 3160-09   | 00102643      | 2015-01-30 | 2018-01-29    |
| EMI Test Receiver        | R&S          | ESCS30    | 100138        | 2016-12-16 | 2017-12-15    |
| EMI Test Receiver        | R&S          | ESCS30    | 100138        | 2017-12-15 | 2018-12-14    |
| LISN                     | R&S          | ENV216    | 101171        | 2016-12-16 | 2019-12-15    |
| Bore Sight Antenna mast  | ETS          | 2171B     | 00058752      | NA         | NA            |
| Test software            | EMC32        | R&S       | V9.26.0       | NA         | NA            |