



RF TEST REPORT

Applicant UAB TELTONIKA
FCC ID 2AET4RUT240A
Product LTE Router
Brand Teltonika
Model RUT240
Report No. R1804A0192-R2
Issue Date June 8, 2018

TA Technology (Shanghai) Co., Ltd. tested the above equipment in accordance with the requirements in **FCC CFR47 Part 2 (2017)/ FCC CFR 47 Part 24E (2017)**. The test results show that the equipment tested is capable of demonstrating compliance with the requirements as documented in this report.

Jiang peng Lan

Performed by: Jiangpeng Lan

Kai Xu

Approved by: Kai Xu

TA Technology (Shanghai) Co., Ltd.

No.145, Jintang Rd, Tangzhen Industry Park, Pudong Shanghai, China

TEL: +86-021-50791141/2/3

FAX: +86-021-50791141/2/3-8000



TABLE OF CONTENT

1. Test Laboratory	4
1.1. Notes of the test report.....	4
1.2. Test facility	4
1.3. Testing Location.....	5
2. General Description of Equipment under Test.....	6
3. Applied Standards	8
4. Test Configuration	9
5. Test Case Results	10
5.1. Effective Isotropic Radiated Power	10
5.2. Radiates Spurious Emission	14
6. Main Test Instruments.....	25
ANNEX A: EUT Appearance and Test Setup	26
A.1 EUT Appearance.....	26
A.2 Test Setup.....	28



Summary of measurement results

No.	Test Case	Clause in FCC rules	Verdict
1	Effective Radiated Power	24.232(c)	PASS
2	Radiates Spurious Emission	2.1053 / 24.238(a)	PASS
Date of Testing: May 15, 2018 ~ May 30, 2018			
Note: PASS: The EUT complies with the essential requirements in the standard. FAIL: The EUT does not comply with the essential requirements in the standard.			



1. Test Laboratory

1.1. Notes of the test report

This report shall not be reproduced in full or partial, without the written approval of **TA technology (shanghai) co., Ltd.** The results documented in this report apply only to the tested sample, under the conditions and modes of operation as described herein. Measurement Uncertainties were not taken into account and are published for informational purposes only. This report is written to support regulatory compliance of the applicable standards stated above.

1.2. Test facility

CNAS (accreditation number: L2264)

TA Technology (Shanghai) Co., Ltd. has obtained the accreditation of China National Accreditation Service for Conformity Assessment (CNAS).

FCC (Designation number: CN1179, Test Firm Registration Number: 446626)

TA Technology (Shanghai) Co., Ltd. has been listed on the US Federal Communications Commission list of test facilities recognized to perform electromagnetic emissions measurements.

IC (recognition number is 8510A)

TA Technology (Shanghai) Co., Ltd. has been listed by industry Canada to perform electromagnetic emission measurement.

VCCI (recognition number is C-4595, T-2154, R-4113, G-10766)

TA Technology (Shanghai) Co., Ltd. has been listed by industry Japan to perform electromagnetic emission measurement.

A2LA (Certificate Number: 3857.01)

TA Technology (Shanghai) Co., Ltd. has been listed by American Association for Laboratory Accreditation to perform electromagnetic emission measurement.



1.3. Testing Location

Company: TA Technology (Shanghai) Co., Ltd.
Address: No.145, Jintang Rd, Tangzhen Industry Park, Pudong
City: Shanghai
Post code: 201201
Country: P. R. China
Contact: Xu Kai
Telephone: +86-021-50791141/2/3
Fax: +86-021-50791141/2/3-8000
Website: <http://www.ta-shanghai.com>
E-mail: xukai@ta-shanghai.com

2. General Description of Equipment under Test

Client Information

Applicant	UAB TELTONIKA
Applicant address	Saltoniskiu st. 9B LT-08105, Vilnius, Lithuania
Manufacturer	UAB TELTONIKA
Manufacturer address	Saltoniskiu st. 9B LT-08105, Vilnius, Lithuania

General information

EUT Description			
Model	RUT240		
IMEI	861107031506695		
Hardware Version	5		
Software Version	RUT240_R_AA.BB.CCC		
Power Supply	AC adapter		
Antenna Type	External Antenna		
Test Mode(s)	WCDMA Band II; LTE Band 2;		
Test Modulation	(WCDMA)QPSK; (LTE)QPSK,16QAM		
HSDPA UE Category	24		
HSUPA UE Category	6		
LTE Category	4		
Maximum E.I.R.P	WCDMA Band II:	26.81dBm	
	LTE Band 2:	26.57dBm	
Rated Power Supply Voltage	9V		
Extreme Voltage	Minimum: 7V Maximum: 30V		
Extreme Temperature	Lowest: -40°C Highest: +75°C		
Operating Frequency Range(s)	Band	Tx (MHz)	Rx (MHz)
	WCDMA Band II	1850 ~ 1910	1930 ~ 1990
	LTE Band 2	1850 ~ 1910	1930 ~ 1990
EUT Accessory			
Adapter	Manufacturer: Shenzhen Shengi Mains Model: SJ-38809010044		
LTE Antenna	Manufacturer: JIAXING JINCHANG ELECTRONIC TECHNOLOGY CO.,LTD Model: JCG410L-TEL		
WiFi Antenna	Manufacturer: JIAXING JINCHANG ELECTRONIC TECHNOLOGY CO.,LTD Model: JCW410-TEL		
Note: The information of the EUT is declared by the manufacturer.			



Only Effective Radiated power and Radiates Spurious Emission are tested for LTE Router in this report. Other test items refer to the LTE Module report (Report No.: RTWK160705001-00).



3. Applied Standards

According to the specifications of the manufacturer, it must comply with the requirements of the following standards:

FCC CFR47 Part 2 (2017)

FCC CFR 47 Part 24E (2017)

ANSI/TIA-603-E (2016)

KDB 971168 D01 Power Meas License Digital Systems v03r01

4. Test Configuration

Radiated measurements are performed by rotating the EUT in three different orthogonal test planes. EUT stand-up position (Z axis), lie-down position (X, Y axis). Receiver antenna polarization (horizontal and vertical), the worst emission was found in position (Z axis, horizontal polarization) and the worst case was recorded.

All mode and data rates and positions and RB size and modulations were investigated. Subsequently, only the worst case emissions are reported.

Test modes are chosen to be reported as the worst case configuration below:

Test items	Modes/Modulation
	WCDMA Band II
Effective Radiated Power	RMC
Radiates Spurious Emission	RMC

Test modes are chosen to be reported as the worst case configuration below for LTE Band 2:

Test items	Bandwidth (MHz)						Modulation		RB			Test Channel		
	1.4	3	5	10	15	20	QPSK	16QAM	1	50%	100%	L	M	H
Effective Isotropic Radiated power	O	O	O	O	O	O	O	O	-	-	O	O	O	O
Radiates Spurious Emission	O	O	O	O	O	O	O	-	O	-	-	O	O	O
Note	1. The mark "O" means that this configuration is chosen for testing. 2. The mark "-" means that this configuration is not testing.													

5. Test Case Results

5.1. Effective Isotropic Radiated Power

Ambient condition

Temperature	Relative humidity	Pressure
23°C ~25°C	45%~50%	101.5kPa

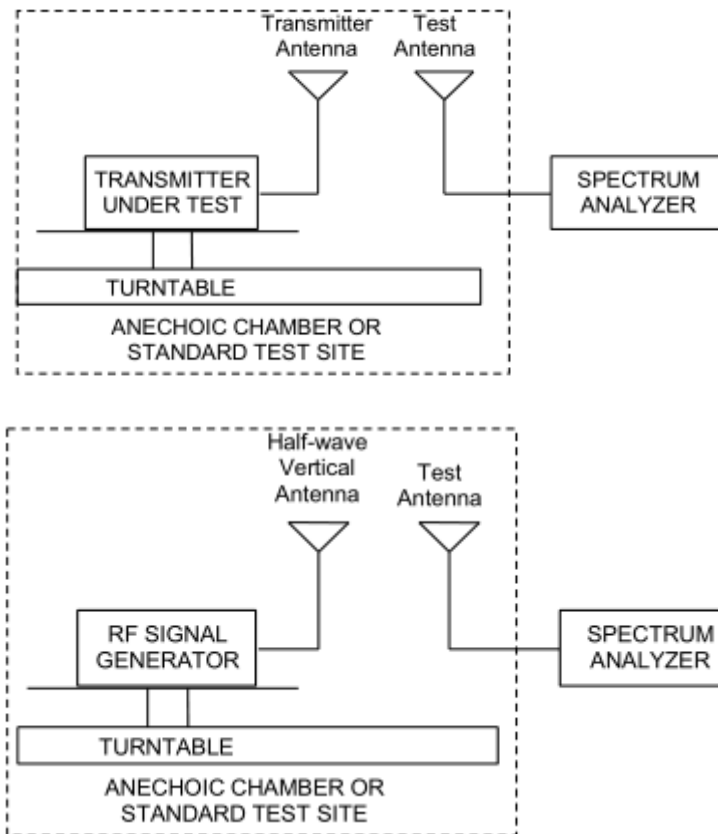
Methods of Measurement

The testing follows FCC KDB 971168 v03r01 Section 5.8 and ANSI/TIA-603-E (2016).

- a) Connect the equipment as illustrated. Mount the equipment with the manufacturer specified antenna in a vertical orientation on a manufacturer specified mounting surface located on a non-conducting rotating platform of a RF anechoic chamber (preferred) or a standard radiation site.
- b) Key the transmitter, then rotate the EUT 360° azimuthally and record spectrum analyzer power level (LVL) measurements at angular increments that are sufficiently small to permit resolution of all peaks. If a standard radiation test site is used, raise and lower the test antenna to obtain a maximum reading at each angular increment. (Note: several batteries may be needed to offset the effect of battery voltage droop, which should not exceed 5% of the manufactured specified battery voltage during transmission).
- c) Replace the transmitter under test with a vertically polarized half-wave dipole (or an antenna whose gain is known relative to an ideal half-wave dipole). The center of the antenna should be at the same location as the center of the antenna under test.
- d) Connect the antenna to a signal generator with a known output power and record the path loss (in dB) as LOSS. If a standard radiation test site is used, raise and lower the test antenna to obtain a maximum reading. $LOSS = \text{Generator Output Power (dBm)} - \text{Analyzer reading (dBm)}$
- e) Determine the effective radiated output power at each angular position from the readings in steps b) and d) using the following equation: $ERP \text{ (dBm)} = \text{LVL (dBm)} + \text{LOSS (dB)}$
- f) The maximum ERP is the maximum value determined in the preceding step.
- g) When calculating ERP, in addition to knowing the antenna radiation and matching characteristics, it is necessary to know the loss values of all elements (e.g. transmission line attenuation, mismatches, filters, combiners) interposed between the point where transmitter output power is measured, and the point where power is applied to the antenna. ERP can then be calculated as follows:
 $ERP \text{ (dBm)} = \text{Output Power (dBm)} - \text{Losses (dB)} + \text{Antenna Gain (dBd)}$
where: dBd refers to gain relative to an ideal dipole.
 $EIRP \text{ (dBm)} = ERP \text{ (dBm)} + 2.15 \text{ (dB)}$

The RB allocation refers to section 5.1, using the maximum output power configuration.

Test setup



Limits

Rule Part 24.232(c) Mobile and portable stations are limited to 2 watts EIRP.

Rule Part 24.232(e) Peak transmit power must be measured over any interval of continuous transmission using instrumentation calibrated in terms of an rms-equivalent voltage.

Limit	$\leq 2\text{ W}$ (33 dBm)
-------	----------------------------

Measurement Uncertainty

The assessed measurement uncertainty to ensure 95% confidence level for the normal distribution is with the coverage factor $k = 2$, $U = 1.19\text{ dB}$

**Test Results:**

The measurement is performed for both of horizontal and vertical antenna Polarization, and only the data of worst mode is recorded in this report.

Mode	Channel	Frequency (MHz)	Polarization	EIRP (dBm)	Limit (dBm)	Conclusion
WCDMA Band II	Low	1852.4	Horizontal	26.22	33	Pass
	Mid	1880	Horizontal	26.81	33	Pass
	High	1907.6	Horizontal	26.73	33	Pass

LTE Band 2						
bandwidth	Channel	Frequency (MHz)	Polarization	EIRP (dBm)	Limit (dBm)	Conclusion
1.4 MHz (QPSK)	Low	1850.7	Horizontal	26.32	33	Pass
	Mid	1880	Horizontal	26.13	33	Pass
	High	1909.3	Horizontal	26.51	33	Pass
3 MHz (QPSK)	Low	1851.5	Horizontal	26.01	33	Pass
	Mid	1880	Horizontal	26.31	33	Pass
	High	1908.5	Horizontal	26.09	33	Pass
5 MHz (QPSK)	Low	1852.5	Horizontal	26.41	33	Pass
	Mid	1880	Horizontal	26.20	33	Pass
	High	1907.5	Horizontal	26.31	33	Pass
10 MHz (QPSK)	Low	1855	Horizontal	26.19	33	Pass
	Mid	1880	Horizontal	26.21	33	Pass
	High	1905	Horizontal	26.57	33	Pass
15 MHz (QPSK)	Low	1857.5	Horizontal	26.14	33	Pass
	Mid	1880	Horizontal	26.08	33	Pass
	High	1902.5	Horizontal	25.91	33	Pass
20 MHz (QPSK)	Low	1860	Horizontal	26.12	33	Pass
	Mid	1880	Horizontal	26.37	33	Pass
	High	1900	Horizontal	25.88	33	Pass
1.4 MHz (16QAM)	Low	1850.7	Horizontal	26.20	33	Pass
	Mid	1880	Horizontal	26.00	33	Pass
	High	1909.3	Horizontal	26.39	33	Pass
3 MHz (16QAM)	Low	1851.5	Horizontal	25.89	33	Pass
	Mid	1880	Horizontal	26.19	33	Pass
	High	1908.5	Horizontal	25.96	33	Pass
5 MHz (16QAM)	Low	1852.5	Horizontal	26.29	33	Pass
	Mid	1880	Horizontal	26.08	33	Pass
	High	1907.5	Horizontal	26.19	33	Pass
10 MHz (16QAM)	Low	1855	Horizontal	26.07	33	Pass
	Mid	1880	Horizontal	26.09	33	Pass
	High	1905	Horizontal	26.45	33	Pass
15 MHz (16QAM)	Low	1857.5	Horizontal	26.02	33	Pass
	Mid	1880	Horizontal	25.95	33	Pass
	High	1902.5	Horizontal	25.79	33	Pass
20 MHz (16QAM)	Low	1860	Horizontal	26.00	33	Pass
	Mid	1880	Horizontal	26.25	33	Pass
	High	1900	Horizontal	25.76	33	Pass

5.2. Radiates Spurious Emission

Ambient condition

Temperature	Relative humidity	Pressure
23°C ~25°C	45%~50%	101.5kPa

Method of Measurement

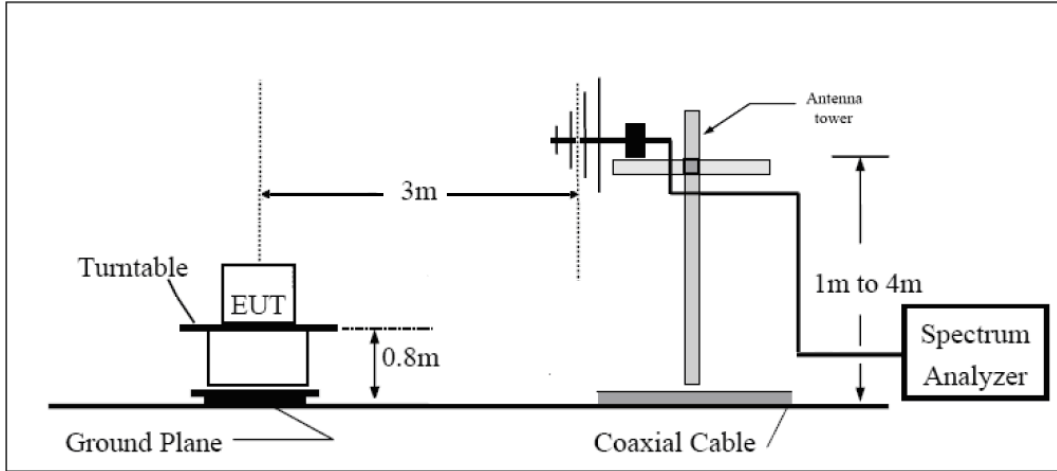
1. The testing follows FCC KDB 971168 v03r01 Section 5.8 and ANSI/TIA-603-E (2016).
2. The EUT is placed on a turntable 0.8 meters above the ground in the chamber, 3 meter away from the antenna. The maximal emission value is acquired by adjusting the antenna height, polarisation and turntable azimuth. Normally, the height range of antenna is 1 m to 4 m, the azimuth range of turntable is 0° to 360°, and the receive antenna has two polarizations Vertical (V) and Horizontal (H).
3. A log-periodic antenna or double-ridged waveguide horn antenna shall be substituted in place of the EUT. The log-periodic antenna will be driven by a signal generator and the level will be adjusted till the same power value on the spectrum analyzer or receiver. The level of the spurious emissions can be calculated through the level of the signal generator, cable loss, the gain of the substitution antenna and the reading of the spectrum analyzer or receiver.
4. The EUT is then put into continuously transmitting mode at its maximum power level during the test. Set Test Receiver or Spectrum RBW=1MHz, VBW=3MHz, And the maximum value of the receiver should be recorded as (Pr).
5. The EUT shall be replaced by a substitution antenna. In the chamber, an substitution antenna for the frequency band of interest is placed at the reference point of the chamber. An RF Signal source for the frequency band of interest is connected to the substitution antenna with a cable that has been constructed to not interfere with the radiation pattern of the antenna. A power (PMea) is applied to the input of the substitution antenna, and adjust the level of the signal generator output until the value of the receiver reach the previously recorded (Pr). The power of signal source (PMea) is recorded. The test should be performed by rotating the test item and adjusting the receiving antenna polarization.
6. A amplifier should be connected to the Signal Source output port. And the cable should be connect between the Amplifier and the Substitution Antenna. The cable loss (Pcl) ,the Substitution Antenna Gain (Ga) and the Amplifier Gain (PAg) should be recorded after test.
7. The measurement results are obtained as described below:

$$\text{Power(EIRP)} = \text{PMea} - \text{PAg} - \text{Pcl} + \text{Ga}$$
 The measurement results are amend as described below:

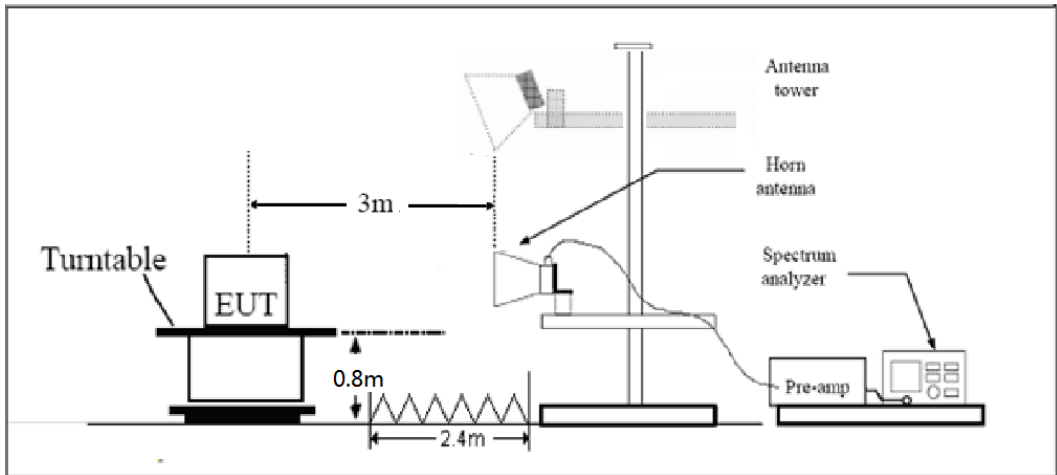
$$\text{Power(EIRP)} = \text{PMea} - \text{Pcl} + \text{Ga}$$
8. This value is EIRP since the measurement is calibrated using an antenna of known gain (2.15 dBi) and known input power. ERP can be calculated from EIRP by subtracting the gain of the dipole, $\text{ERP} = \text{EIRP} - 2.15\text{dBi}$.

Test setup

30MHz~~~ 1GHz



Above 1GHz



Note: Area side: 2.4mX3.6m

The radiated emission was measured in the following position: EUT stand-up position (Z axis), lie-down position (X, Y axis). The worst emission was found in stand-up position (Z axis) and the worst case was recorded.

Limits

Rule Part 24.238(a) specifies that “on any frequency outside a licensee's frequency block, the power of any emission shall be attenuated below the transmitter power (P) by at least 43 + 10 log10 (P) dB.”

Limit	-13 dBm
-------	---------

Measurement Uncertainty

The assessed measurement uncertainty to ensure 95% confidence level for the normal distribution is with the coverage factor $k = 1.96$, $U = 3.55$ dB.

Test Result

Receiver antenna polarization (horizontal and vertical), the worst emission was found in horizontal polarization, and the worst case in horizontal polarization was recorded.

Sweep above 18 GHz don't have value significantly higher than the bottom noise.

WCDMA Band II CH-Low

Harmonic	Frequency (MHz)	SG (dBm)	Cable Loss (dB)	Gain (dBi)	Antenna Polarization	EIRP Level (dBm)	Limit (dBm)	Margin (dB)	Azimuth (deg)
2	3704.8	-67.65	5.1	11.05	Horizontal	-61.70	-13.00	48.70	180
3	5557.2	-66.51	5.42	12.65	Horizontal	-59.28	-13.00	46.28	270
4	7409.6	-65.30	6.7	13.85	Horizontal	-58.15	-13.00	45.15	135
5	9262.0	-62.00	7.01	14.75	Horizontal	-54.26	-13.00	41.26	45
6	11114.4	-62.47	7.48	15.95	Horizontal	-54.00	-13.00	41.00	270
7	12966.8	-63.34	7.51	16.55	Horizontal	-54.30	-13.00	41.30	180
8	14819.2	-59.78	8.24	15.35	Horizontal	-52.67	-13.00	39.67	270
9	16671.6	-55.34	8.41	14.95	Horizontal	-48.80	-13.00	35.80	135
10	18524.0	/	/	/	/	/	/	/	/

Note: 1.The other Spurious RF Radiated emissions level is no more than noise floor.
 2. The worst emission was found in the antenna is Horizontal position.

WCDMA Band II CH-Middle

Harmonic	Frequency (MHz)	SG (dBm)	Cable Loss (dB)	Gain (dBi)	Antenna Polarization	EIRP Level (dBm)	Limit (dBm)	Margin (dB)	Azimuth (deg)
2	3760.0	-68.12	5.1	11.05	Horizontal	-62.17	-13.00	49.17	270
3	5640.0	-66.83	5.42	12.65	Horizontal	-59.60	-13.00	46.60	135
4	7520.0	-66.45	6.7	13.85	Horizontal	-59.30	-13.00	46.30	45
5	9400.0	-63.64	7.01	14.75	Horizontal	-55.90	-13.00	42.90	270
6	11280.0	-65.46	7.48	15.95	Horizontal	-56.99	-13.00	43.99	180
7	13160.0	-63.39	7.51	16.55	Horizontal	-54.35	-13.00	41.35	270
8	15040.0	-61.71	8.24	15.35	Horizontal	-54.60	-13.00	41.60	135
9	16920.0	-59.03	8.41	14.95	Horizontal	-52.49	-13.00	39.49	180
10	18800.0	/	/	/	/	/	/	/	/

Note: 1.The other Spurious RF Radiated emissions level is no more than noise floor.
 2. The worst emission was found in the antenna is Horizontal position.



WCDMA Band II CH-High

Harmonic	Frequency (MHz)	SG (dBm)	Cable Loss (dB)	Gain (dBi)	Antenna Polarization	EIRP Level (dBm)	Limit (dBm)	Margin (dB)	Azimuth (deg)
2	3813.8	-68.71	5.1	11.05	Horizontal	-62.76	-13.00	49.76	135
3	5722.8	-66.33	5.42	12.65	Horizontal	-59.10	-13.00	46.10	45
4	7630.4	-63.85	6.7	13.85	Horizontal	-56.70	-13.00	43.70	270
5	9538.0	-64.64	7.01	14.75	Horizontal	-56.90	-13.00	43.90	180
6	11445.6	-62.95	7.48	15.95	Horizontal	-54.48	-13.00	41.48	270
7	13353.2	-63.30	7.51	16.55	Horizontal	-54.26	-13.00	41.26	135
8	15260.8	-60.21	8.24	15.35	Horizontal	-53.10	-13.00	40.10	225
9	17168.4	-55.60	8.41	14.95	Horizontal	-49.06	-13.00	36.06	90
10	19076.0	/	/	/	/	/	/	/	/

Note: 1. The other Spurious RF Radiated emissions level is no more than noise floor.

2. The worst emission was found in the antenna is Horizontal position.

LTE Band 2 1.4MHz CH-Low

Harmonic	Frequency (MHz)	SG (dBm)	Cable Loss (dB)	Gain (dBi)	Antenna Polarization	EIRP Level (dBm)	Limit (dBm)	Margin (dB)	Azimuth (deg)
2	3700.5	-55.96	5.1	11.05	Horizontal	-50.01	-13.00	37.01	45
3	5550.8	-51.72	5.42	12.65	Horizontal	-44.49	-13.00	31.49	225
4	7401.0	-53.89	6.7	13.85	Horizontal	-46.74	-13.00	33.74	135
5	9255.4	-52.64	7.01	14.75	Horizontal	-44.90	-13.00	31.90	180
6	11100.4	-51.93	7.48	15.95	Horizontal	-43.46	-13.00	30.46	180
7	12964.5	-51.85	7.51	16.55	Horizontal	-42.81	-13.00	29.81	270
8	14811.8	-49.15	8.24	15.35	Horizontal	-42.04	-13.00	29.04	270
9	16681.5	-49.96	8.41	14.95	Horizontal	-43.42	-13.00	30.42	180
10	18507.0	/	/	/	/	/	/	/	/

Note: 1. The other Spurious RF Radiated emissions level is no more than noise floor.

2. The worst emission was found in the antenna is Horizontal position.



LTE Band 2 1.4MHz CH-Middle

Harmonic	Frequency (MHz)	SG (dBm)	Cable Loss (dB)	Gain (dBi)	Antenna Polarization	EIRP Level (dBm)	Limit (dBm)	Margin (dB)	Azimuth (deg)
2	3759.4	-55.93	5.10	11.05	Horizontal	-49.98	-13.00	36.98	135
3	5638.9	-52.02	5.42	12.65	Horizontal	-44.79	-13.00	31.79	90
4	7527.0	-55.77	6.70	13.85	Horizontal	-48.62	-13.00	35.62	0
5	9401.6	-53.79	7.01	14.75	Horizontal	-46.05	-13.00	33.05	45
6	11292.8	-52.52	7.48	15.95	Horizontal	-44.05	-13.00	31.05	225
7	13151.1	-52.12	7.51	16.55	Horizontal	-43.08	-13.00	30.08	315
8	15026.6	-47.75	8.24	15.35	Horizontal	-40.64	-13.00	27.64	135
9	16912.1	-48.53	8.41	14.95	Horizontal	-41.99	-13.00	28.99	135
10	18800.0	/	/	/	/	/	/	/	/

Note: 1.The other Spurious RF Radiated emissions level is no more than noise floor.

2. The worst emission was found in the antenna is Horizontal position.

LTE Band 2 1.4MHz CH-High

Harmonic	Frequency (MHz)	SG (dBm)	Cable Loss (dB)	Gain (dBi)	Antenna Polarization	EIRP Level (dBm)	Limit (dBm)	Margin (dB)	Azimuth (deg)
2	3817.9	-54.77	5.10	11.05	Horizontal	-48.82	-13.00	35.82	270
3	5726.6	-48.58	5.42	12.65	Horizontal	-41.35	-13.00	28.35	270
4	7635.4	-54.18	6.70	13.85	Horizontal	-47.03	-13.00	34.03	315
5	9540.0	-56.85	7.01	14.75	Horizontal	-49.11	-13.00	36.11	225
6	11453.6	-51.83	7.48	15.95	Horizontal	-43.36	-13.00	30.36	0
7	13366.1	-51.28	7.51	16.55	Horizontal	-42.24	-13.00	29.24	180
8	15270.8	-49.19	8.24	15.35	Horizontal	-42.08	-13.00	29.08	180
9	17188.9	-47.97	8.41	14.95	Horizontal	-41.43	-13.00	28.43	90
10	19093.0	/	/	/	/	/	/	/	/

Note: 1.The other Spurious RF Radiated emissions level is no more than noise floor.

2. The worst emission was found in the antenna is Horizontal position.



LTE Band 2 5MHz CH-Low

Harmonic	Frequency (MHz)	SG (dBm)	Cable Loss (dB)	Gain (dBi)	Antenna Polarization	EIRP Level (dBm)	Limit (dBm)	Margin (dB)	Azimuth (deg)
2	3700.5	-57.53	5.10	11.05	Horizontal	-51.58	-13.00	38.58	90
3	5551.1	-50.49	5.42	12.65	Horizontal	-43.26	-13.00	30.26	225
4	7406.6	-54.09	6.70	13.85	Horizontal	-46.94	-13.00	33.94	135
5	9265.5	-52.44	7.01	14.75	Horizontal	-44.70	-13.00	31.70	270
6	11119.5	-52.54	7.48	15.95	Horizontal	-44.07	-13.00	31.07	135
7	12964.5	-51.90	7.51	16.55	Horizontal	-42.86	-13.00	29.86	45
8	14828.6	-49.22	8.24	15.35	Horizontal	-42.11	-13.00	29.11	45
9	16668.0	-49.48	8.41	14.95	Horizontal	-42.94	-13.00	29.94	0
10	18525.0	/	/	/	/	/	/	/	/

Note: 1.The other Spurious RF Radiated emissions level is no more than noise floor.
2. The worst emission was found in the antenna is Horizontal position.

LTE Band 2 5MHz CH-Middle

Harmonic	Frequency (MHz)	SG (dBm)	Cable Loss (dB)	Gain (dBi)	Antenna Polarization	EIRP Level (dBm)	Limit (dBm)	Margin (dB)	Azimuth (deg)
2	3755.6	-56.86	5.10	11.05	Horizontal	-50.91	-13.00	37.91	270
3	5633.6	-51.41	5.42	12.65	Horizontal	-44.18	-13.00	31.18	135
4	7531.9	-54.45	6.70	13.85	Horizontal	-47.30	-13.00	34.30	0
5	9405.0	-52.60	7.01	14.75	Horizontal	-44.86	-13.00	31.86	90
6	11271.4	-54.14	7.48	15.95	Horizontal	-45.67	-13.00	32.67	0
7	13162.5	-52.08	7.51	16.55	Horizontal	-43.04	-13.00	30.04	270
8	15027.8	-48.87	8.24	15.35	Horizontal	-41.76	-13.00	28.76	90
9	16933.5	-49.61	8.41	14.95	Horizontal	-43.07	-13.00	30.07	180
10	18800.0	/	/	/	/	/	/	/	/

Note: 1.The other Spurious RF Radiated emissions level is no more than noise floor.
2. The worst emission was found in the antenna is Horizontal position.

LTE Band 2 5MHz CH-High

Harmonic	Frequency (MHz)	SG (dBm)	Cable Loss (dB)	Gain (dBi)	Antenna Polarization	EIRP Level (dBm)	Limit (dBm)	Margin (dB)	Azimuth (deg)
2	3810.4	-55.26	5.10	11.05	Horizontal	-49.31	-13.00	36.31	45
3	5716.1	-48.90	5.42	12.65	Horizontal	-41.67	-13.00	28.67	315
4	7621.5	-55.16	6.70	13.85	Horizontal	-48.01	-13.00	35.01	315
5	9550.1	-54.03	7.01	14.75	Horizontal	-46.29	-13.00	33.29	135
6	11449.1	-52.74	7.48	15.95	Horizontal	-44.27	-13.00	31.27	315
7	13344.8	-51.13	7.51	16.55	Horizontal	-42.09	-13.00	29.09	315
8	15267.4	-49.07	8.24	15.35	Horizontal	-41.96	-13.00	28.96	180
9	17181.0	-48.34	8.41	14.95	Horizontal	-41.80	-13.00	28.80	90
10	19075.0	/	/	/	/	/	/	/	/

Note: 1.The other Spurious RF Radiated emissions level is no more than noise floor.
2. The worst emission was found in the antenna is Horizontal position.

LTE Band 2 10MHz CH-Low

Harmonic	Frequency (MHz)	SG (dBm)	Cable Loss (dB)	Gain (dBi)	Antenna Polarization	EIRP Level (dBm)	Limit (dBm)	Margin (dB)	Azimuth (deg)
2	3700.9	-56.43	5.10	11.05	Horizontal	-50.48	-13.00	37.48	135
3	5551.9	-51.30	5.42	12.65	Horizontal	-44.07	-13.00	31.07	180
4	7431.4	-53.95	6.70	13.85	Horizontal	-46.80	-13.00	33.80	0
5	9273.4	-52.37	7.01	14.75	Horizontal	-44.63	-13.00	31.63	225
6	11140.9	-53.39	7.48	15.95	Horizontal	-44.92	-13.00	31.92	90
7	12988.1	-52.09	7.51	16.55	Horizontal	-43.05	-13.00	30.05	45
8	14848.9	-46.93	8.24	15.35	Horizontal	-39.82	-13.00	26.82	315
9	16692.8	-47.46	8.41	14.95	Horizontal	-40.92	-13.00	27.92	0
10	18550.0	/	/	/	/	/	/	/	/

Note: 1.The other Spurious RF Radiated emissions level is no more than noise floor.
2. The worst emission was found in the antenna is Horizontal position.

LTE Band 2 10MHz CH-Middle

Harmonic	Frequency (MHz)	SG (dBm)	Cable Loss (dB)	Gain (dBi)	Antenna Polarization	EIRP Level (dBm)	Limit (dBm)	Margin (dB)	Azimuth (deg)
2	3751.5	-55.24	5.10	11.05	Horizontal	-49.29	-13.00	36.29	315
3	5626.9	-50.68	5.42	12.65	Horizontal	-43.45	-13.00	30.45	90
4	7522.9	-54.62	6.70	13.85	Horizontal	-47.47	-13.00	34.47	0
5	9403.9	-52.84	7.01	14.75	Horizontal	-45.10	-13.00	32.10	90
6	11290.5	-53.61	7.48	15.95	Horizontal	-45.14	-13.00	32.14	90
7	13174.9	-54.60	7.51	16.55	Horizontal	-45.56	-13.00	32.56	270
8	15055.9	-49.69	8.24	15.35	Horizontal	-42.58	-13.00	29.58	135
9	16921.1	-46.76	8.41	14.95	Horizontal	-40.22	-13.00	27.22	90
10	18800.0	/	/	/	/	/	/	/	/

Note: 1.The other Spurious RF Radiated emissions level is no more than noise floor.
2. The worst emission was found in the antenna is Horizontal position.

LTE Band 2 10MHz CH-High

Harmonic	Frequency (MHz)	SG (dBm)	Cable Loss (dB)	Gain (dBi)	Antenna Polarization	EIRP Level (dBm)	Limit (dBm)	Margin (dB)	Azimuth (deg)
2	3801.4	-54.54	5.10	11.05	Horizontal	-48.59	-13.00	35.59	45
3	5702.3	-49.30	5.42	12.65	Horizontal	-42.07	-13.00	29.07	135
4	7610.3	-54.87	6.70	13.85	Horizontal	-47.72	-13.00	34.72	90
5	9527.6	-54.79	7.01	14.75	Horizontal	-47.05	-13.00	34.05	315
6	11430.0	-51.47	7.48	15.95	Horizontal	-43.00	-13.00	30.00	0
7	13334.6	-51.78	7.51	16.55	Horizontal	-42.74	-13.00	29.74	270
8	15242.6	-50.31	8.24	15.35	Horizontal	-43.20	-13.00	30.20	45
9	17146.1	-47.53	8.41	14.95	Horizontal	-40.99	-13.00	27.99	135
10	19050.0	/	/	/	/	/	/	/	/

Note: 1.The other Spurious RF Radiated emissions level is no more than noise floor.
2. The worst emission was found in the antenna is Horizontal position.



LTE Band 2 15MHz CH-Low

Harmonic	Frequency (MHz)	SG (dBm)	Cable Loss (dB)	Gain (dBi)	Antenna Polarization	EIRP Level (dBm)	Limit (dBm)	Margin (dB)	Azimuth (deg)
2	3701.3	-56.00	5.10	11.05	Horizontal	-50.05	-13.00	37.05	45
3	5552.6	-51.46	5.42	12.65	Horizontal	-44.23	-13.00	31.23	90
4	7454.3	-52.81	6.70	13.85	Horizontal	-45.66	-13.00	32.66	270
5	9286.9	-53.28	7.01	14.75	Horizontal	-45.54	-13.00	32.54	225
6	11144.3	-52.19	7.48	15.95	Horizontal	-43.72	-13.00	30.72	90
7	13008.4	-51.54	7.51	16.55	Horizontal	-42.50	-13.00	29.50	45
8	14850.0	-47.73	8.24	15.35	Horizontal	-40.62	-13.00	27.62	135
9	16713.0	-48.47	8.41	14.95	Horizontal	-41.93	-13.00	28.93	225
10	18575.0	/	/	/	/	/	/	/	/

Note: 1. The other Spurious RF Radiated emissions level is no more than noise floor.

2. The worst emission was found in the antenna is Horizontal position.

LTE Band 2 15MHz CH-Middle

Harmonic	Frequency (MHz)	SG (dBm)	Cable Loss (dB)	Gain (dBi)	Antenna Polarization	EIRP Level (dBm)	Limit (dBm)	Margin (dB)	Azimuth (deg)
2	3746.6	-55.29	5.10	11.05	Horizontal	-49.34	-13.00	36.34	135
3	5620.1	-52.05	5.42	12.65	Horizontal	-44.82	-13.00	31.82	135
4	7523.3	-54.28	6.70	13.85	Horizontal	-47.13	-13.00	34.13	45
5	9427.5	-55.79	7.01	14.75	Horizontal	-48.05	-13.00	35.05	270
6	11279.3	-52.24	7.48	15.95	Horizontal	-43.77	-13.00	30.77	135
7	13171.5	-51.96	7.51	16.55	Horizontal	-42.92	-13.00	29.92	45
8	15024.4	-49.43	8.24	15.35	Horizontal	-42.32	-13.00	29.32	180
9	16913.3	-47.39	8.41	14.95	Horizontal	-40.85	-13.00	27.85	180
10	18800.0	/	/	/	/	/	/	/	/

Note: 1. The other Spurious RF Radiated emissions level is no more than noise floor.

2. The worst emission was found in the antenna is Horizontal position.

LTE Band 2 15MHz CH-High

Harmonic	Frequency (MHz)	SG (dBm)	Cable Loss (dB)	Gain (dBi)	Antenna Polarization	EIRP Level (dBm)	Limit (dBm)	Margin (dB)	Azimuth (deg)
2	3791.6	-53.60	5.10	11.05	Horizontal	-47.65	-13.00	34.65	45
3	5687.6	-48.80	5.42	12.65	Horizontal	-41.57	-13.00	28.57	180
4	7619.3	-55.22	6.70	13.85	Horizontal	-48.07	-13.00	35.07	180
5	9523.1	-54.78	7.01	14.75	Horizontal	-47.04	-13.00	34.04	225
6	11415.4	-51.83	7.48	15.95	Horizontal	-43.36	-13.00	30.36	0
7	13317.8	-52.10	7.51	16.55	Horizontal	-43.06	-13.00	30.06	180
8	15210.0	-49.82	8.24	15.35	Horizontal	-42.71	-13.00	29.71	270
9	17119.1	-46.91	8.41	14.95	Horizontal	-40.37	-13.00	27.37	90
10	19025.0	/	/	/	/	/	/	/	/

Note: 1.The other Spurious RF Radiated emissions level is no more than noise floor.
2. The worst emission was found in the antenna is Horizontal position.

LTE Band 2 20MHz CH-Low

Harmonic	Frequency (MHz)	SG (dBm)	Cable Loss (dB)	Gain (dBi)	Antenna Polarization	EIRP Level (dBm)	Limit (dBm)	Margin (dB)	Azimuth (deg)
2	3702.4	-54.72	5.10	11.05	Horizontal	-48.77	-13.00	35.77	180
3	5553.4	-50.66	5.42	12.65	Horizontal	-43.43	-13.00	30.43	45
4	7440.8	-54.67	6.70	13.85	Horizontal	-47.52	-13.00	34.52	135
5	9319.5	-51.07	7.01	14.75	Horizontal	-43.33	-13.00	30.33	180
6	11180.3	-53.75	7.48	15.95	Horizontal	-45.28	-13.00	32.28	225
7	13015.1	-51.29	7.51	16.55	Horizontal	-42.25	-13.00	29.25	270
8	14844.4	-46.64	8.24	15.35	Horizontal	-39.53	-13.00	26.53	0
9	16748.9	-47.71	8.41	14.95	Horizontal	-41.17	-13.00	28.17	180
10	18600.0	/	/	/	/	/	/	/	/

Note: 1.The other Spurious RF Radiated emissions level is no more than noise floor.
2. The worst emission was found in the antenna is Horizontal position.

LTE Band 2 20MHz CH-Middle

Harmonic	Frequency (MHz)	SG (dBm)	Cable Loss (dB)	Gain (dBi)	Antenna Polarization	EIRP Level (dBm)	Limit (dBm)	Margin (dB)	Azimuth (deg)
2	3742.1	-54.71	5.10	11.05	Horizontal	-48.76	-13.00	35.76	225
3	5613.4	-51.05	5.42	12.65	Horizontal	-43.82	-13.00	30.82	315
4	7484.6	-54.51	6.70	13.85	Horizontal	-47.36	-13.00	34.36	0
5	9401.6	-53.84	7.01	14.75	Horizontal	-46.10	-13.00	33.10	90
6	11295.0	-53.22	7.48	15.95	Horizontal	-44.75	-13.00	31.75	225
7	13173.8	-53.00	7.51	16.55	Horizontal	-43.96	-13.00	30.96	180
8	15030.0	-49.36	8.24	15.35	Horizontal	-42.25	-13.00	29.25	45
9	16926.8	-48.64	8.41	14.95	Horizontal	-42.10	-13.00	29.10	225
10	18800.0	/	/	/	/	/	/	/	/

Note: 1.The other Spurious RF Radiated emissions level is no more than noise floor.
2. The worst emission was found in the antenna is Horizontal position.

LTE Band 2 20MHz CH-High

Harmonic	Frequency (MHz)	SG (dBm)	Cable Loss (dB)	Gain (dBi)	Antenna Polarization	EIRP Level (dBm)	Limit (dBm)	Margin (dB)	Azimuth (deg)
2	3781.9	-55.03	5.10	11.05	Horizontal	-49.08	-13.00	36.08	0
3	5673.4	-50.76	5.42	12.65	Horizontal	-43.53	-13.00	30.53	180
4	7558.5	-55.25	6.70	13.85	Horizontal	-48.10	-13.00	35.10	135
5	9502.9	-54.31	7.01	14.75	Horizontal	-46.57	-13.00	33.57	225
6	11404.1	-51.44	7.48	15.95	Horizontal	-42.97	-13.00	29.97	315
7	13302.0	-52.19	7.51	16.55	Horizontal	-43.15	-13.00	30.15	0
8	15205.5	-48.29	8.24	15.35	Horizontal	-41.18	-13.00	28.18	90
9	17106.8	-47.82	8.41	14.95	Horizontal	-41.28	-13.00	28.28	225
10	19000.0	/	/	/	/	/	/	/	/

Note: 1.The other Spurious RF Radiated emissions level is no more than noise floor.
2. The worst emission was found in the antenna is Horizontal position.



6. Main Test Instruments

Name	Manufacturer	Type	Serial Number	Calibration Date	Expiration Date
Base Station Simulator	R&S	CMU200	118133	2018-05-13	2019-05-12
Base Station Simulator	R&S	CMW500	113645	2018-05-13	2019-05-12
Power Splitter	Hua Xiang	SHX-GF2-2-13	10120101	NA	NA
Spectrum Analyzer	Agilent	N9010A	MY47191109	2018-05-20	2019-05-19
Universal Radio Communication Tester	Agilent	E5515C	MY48367192	2018-05-20	2019-05-19
Signal Analyzer	R&S	FSV30	100815	2018-05-20	2019-05-19
EMI Test Receiver	R&S	ESCI	100948	2018-05-20	2019-05-19
Signal generator	R&S	SMB 100A	102594	2018-05-13	2019-05-12
Loop Antenna	SCHWARZBECK	FMZB1519	1519-047	2014-12-06	2019-12-05
Trilog Antenna	SCHWARZBECK	VUBL 9163	9163-201	2017-11-18	2020-11-17
Horn Antenna	R&S	HF907	100126	2014-12-06	2019-12-05
Climatic Chamber	Re Ce	PT-30B	20101891	2015-07-18	2018-07-17
Horn Antenna	ETS-Lindgren	3160-09	00102644	2015-01-30	2020-01-29
RF Cable	Agilent	SMA 15cm	0001	2018-02-03	2018-08-02
Preamplifier	R&S	SCU18	102327	2017-06-18	2018-06-17
Software	R&S	EMC32	V 8.52.0	NA	NA
MOB COMMS DC SUPPLY	Keysight	66319D	MY43004105	2018-05-07	2019-05-06

*****END OF REPORT *****