

Car wireless charging product manual

Model 1: VA40-66CHX

CONTENT

Part 1 Function Block Diagram

Part 2 Statement & Notice

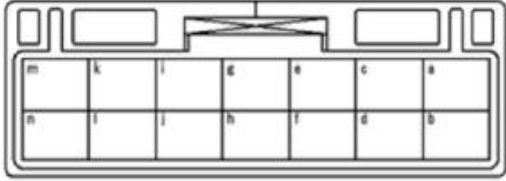
Part 3 User's Interface Overview

Part 4: Product Appearance and Differences

Part 5: Declaration of Conformity

Part 1: Function Block Diagram

Definition of Radio Block
Connector Pin-out Detail

Kinds of Connector	Pin #	Signal Name	Wiring Detail (SW/TWP/STWP ¹)	Rated Current ²
 <p>MRH-AL-14PV(DGY)</p>	a	+B	SW	15A
	b	ACC	SW	7.5A
	c	N.C	---	---
	d	PBLC MS-CAN-	TWP	10mA
	e	LG or TR	SW	1mA
	f	PBLC MS-CAN+	TWP	10mA
	g	LF State	SW	1.5mA
	h	DOOR_F_RH	SW	1mA
	i	DOOR_F_LH	SW	1mA
	j	DOOR_R_RH	SW	1mA
	k	DOOR_R_LH	SW	1mA
	l	GND_CFGSR	SW	0.33mA
	m	GND	SW	---
	n	GND_CFG	SW	0.33mA

Part 2: Statement & Notice

2.1 Voltage and Current Requirement

Type	Voltage/Current Value
Rated voltage/ Current	12V,3A
Maximum product power	25W
Operating voltage range	9~16V
Operation Frequency	127.7KHz、125.95KHz
NFC Frequency	13.56MHz

2.2 Temperature Requirement

Type	Temperature Value
Performance guaranteed temperature range	0°C~+40°C

Operation guaranteed temperature range	-30°C~+85°C Over-temperature protect of wireless charging can be accept while surface temperature higher than 50°C.
--	--

Storage temperature range	-40°C~+85°C
---------------------------	-------------

Test temperature	Nominal temperature	20°C
------------------	---------------------	------

2.3 Parameter Tolerances

If not otherwise specified, the following tolerances shall apply:

- frequency and time: $\pm 5\%$
- voltages: $\pm 0.5V$
- current: $\pm 10\%$
- resistance: $\pm 5\%$
- temperature: $\pm 5^{\circ}C$
- Operation Frequency: $\pm 500HZ$

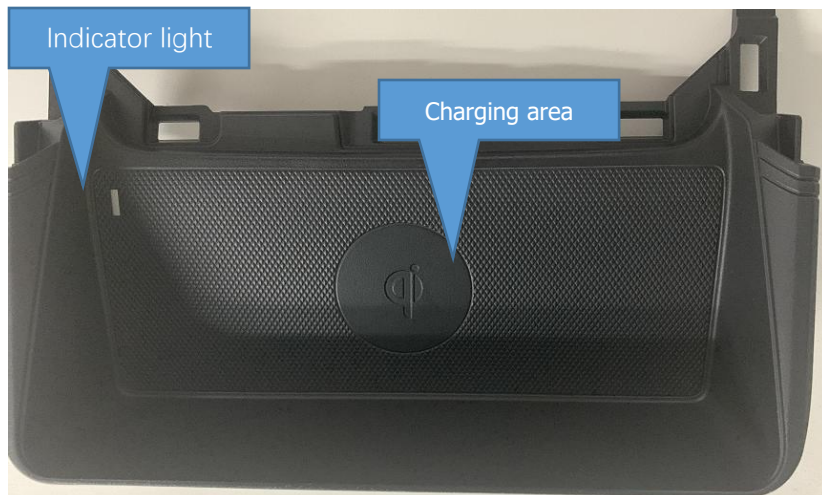
2.4 Product information

- **Manufactured Name:** Huizhou Desay SV Automotive Co., Ltd
- **Manufactured address:** 103, He chang 5th Road West, Zhongkai National Hi-tech Industrial Development Zone, Huizhou, Guangdong, P.R. China
- **Factory Name :** Huizhou Desay SV Automotive Co., Ltd
- **Factory address:** 103, He chang 5th Road West, Zhongkai National Hi-tech Industrial Development Zone, Huizhou, Guangdong, P.R. China

- **Hardware/ Sofeware version**
- HW:006
- SW: 31.02_210601_D

Part 3: User's Interface Overview

Confidential



MODEL 1: VA40-66CHX

1Indicator light_Charge indicator

The Pattern	Qi State	Color	Lighting / Blinking	Frequency
A	Power OFF	--	--	-
B	Power on (Non-charging)	White	Flashing	0.5Hz
C	Power on (Charging)	White	Light up	-
D	Charging (rapid)	Green	Light up	-
E	Charging (Rapid & misalignment)	Green	Flashing	0.5Hz
F	Charging (Normal)	Orange	Light up	-
G	Charging (Normal & misalignment)	Orange	Flashing	0.5Hz
H	high temperature / Foreign object detection	Red	Flashing	1Hz
I	Malfunction	Red	Light up	-

2area_Charging area

Functional Requirements:

Wireless Charging	
Max power transmitter	15W
Foreign object detection	Yes
Temperature detection	Yes
Charging working frequency switching	Yes (AM frequency hopping, PEPS frequency hopping)

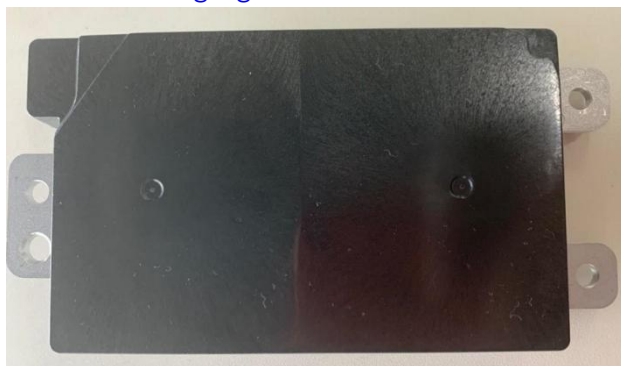
Confidential

NFC	
Contactless card identification	Yes

Part 4: Product Appearance

型號 1: VA40-66CHX

Wireless Charging Module:



Wireless Charging Module+ panel:



Part 5: Declaration of Conformity

5.1 Simplified EU Declaration of Conformity

The simplified EU declaration of conformity referred to in Article 10(9) shall be provided as follows: Hereby, [Huizhou Desay SV Automotive Co., Ltd.] declares that the radio equipment type [designation of type of radio equipment] is in compliance with Directive 2014/53/EU. The full text of the EU declaration of conformity is available at the following internet address: <http://www.desaysv.com/index.php?id=oumeng>

Confidential

5.2 FCC Statement

This device complies with part 15 of the FCC rules. Operation is subject to the following two conditions: (1) this device may not cause harmful interference, and (2) this device must accept any interference received, including interference that may cause undesired operation.

Changes or modifications not expressly approved by the party responsible for compliance could void the user's authority to operate the equipment.

NOTE: This equipment has been tested and found to comply with the limits for a Class B digital device, pursuant to part 15 of the FCC Rules. These limits are designed to provide reasonable protection against harmful interference in a residential installation. This equipment generates uses and can radiate radio frequency energy and, if not installed and used in accordance with the instructions, may cause harmful interference to radio communications. However, there is no guarantee that interference will not occur in a particular installation. If this equipment does cause harmful interference to radio or television reception, which can be determined by turning the equipment off and on, the user is encouraged to try to correct the interference by one or more of the following measures:

- Reorient or relocate the receiving antenna.
- Increase the separation between the equipment and receiver.
- Connect the equipment into an outlet on a circuit different from that to which the receiver is connected.
- Consult the dealer or an experienced radio/TV technician for help important announcement

Important Note:

Radiation Exposure Statement

This equipment complies with FCC radiation exposure limits set forth for an uncontrolled environment. This equipment should be installed and operated with minimum distance 20cm between the radiator and your body.

This transmitter must not be co-located or operating in conjunction with any other antenna or transmitter.

5.3 IC Statement

This device contains licence-exempt transmitter(s)/receiver(s) that comply with Innovation, Science and Economic Development Canada's licence-exempt RSS(s). Operation is subject to the following two conditions: (1) This device may not cause interference. (2) This device must accept any interference, including interference that may cause undesired operation of the device.

L'émetteur/récepteur exempt de licence contenu dans le présent appareil est conforme aux CNR d'Innovation, Sciences et Développement économique Canada applicables aux appareils radio exempts de licence. L'exploitation est autorisée aux deux conditions suivantes : 1) L'appareil ne doit pas produire de brouillage; 2) L'appareil doit accepter tout brouillage radioélectrique subi, même si le brouillage est susceptible d'en compromettre le fonctionnement.

This equipment complies with Industry Canada radiation exposure limits set forth for an uncontrolled environment.

Cet équipement est conforme à l'exposition aux rayonnements Industry Canada limites établies pour un environnement non contrôlé.
