

Ford ICA2 AHU

Quick Instruction

Model:NV9051/70

CONTENT

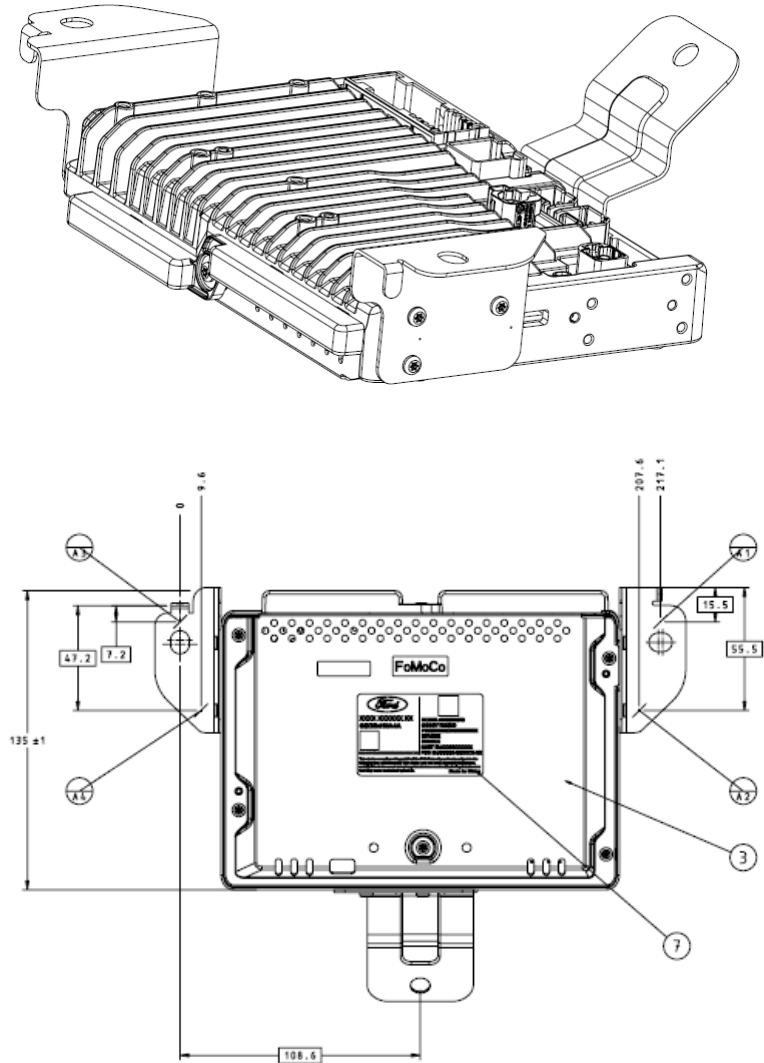
Part 1 Style figure

Part 2 Statement & Notice

Part 3 Function List

Part 4: FCC Statement

Part 1 Style figure



Part 2: Statement & Notice

1. Statement:

1.1 It is forbidden for users to change the device privately.

2. Notice

2.1 Operating Parameter

2.1.1 Temperature: -30°C~70°C

2.1.2 Humidity: 20 - 60 %

2.2 Power Supply: DC 9~16V

2.4 Security: Please pay attention to the power supply and priority.

2.5 Bluetooth: BT5.0

2.6 Wi-Fi: 2.4GHz&5GHz

2.7 Manufactured Name: Huizhou Desay SV Automotive Co., Ltd

2.8 Manufactured address: No. 103, He chang 5th Road West, Zhong Kai National Hi-tech Industrial Development Zone, Huizhou City, Guangdong Province, 516006 P.R. China.

2.9 FCC ID:2AEQT-NV905170

Part 3 Function List

The main features of this system are described in following table.

Function	Ford ICA2 AHU
Audio	√
BT (Audio/Phone)	√
Camera View	√
GPS	√
Tuner(AM/FM)	√
Navigation	√
USB	√
Wi-Fi (2.4GHz&5GHz)	√

Part 4FCC Statement

This device complies with part 15 of the FCC Rules. Operation is subject to the following two conditions:

(1) This device may not cause harmful interference, and (2) this device must accept any interference received, including interference that may cause undesired operation.

This equipment has been tested and found to comply with the limits for a Class B digital device, pursuant to Part 15 of the FCC Rules. These limits are designed to provide reasonable protection against harmful interference in a residential installation. This equipment generates uses and can radiate radio frequency energy and, if not installed and used in accordance with the instructions, may cause harmful interference to radio communications. However, there is no guarantee that interference will not occur in a particular installation. If this equipment does cause harmful interference to radio or television reception, which can be determined by turning the equipment off and on, the user is encouraged to try to correct the interference by one or more of the following measures:

- Reorient or relocate the receiving antenna.
 - Increase the separation between the equipment and receiver.
 - Connect the equipment into an outlet on a circuit different from that to which the receiver is connected.
 - Consult the dealer or an experienced radio/TV technician for help.
- Changes or modifications not expressly approved by the party responsible for compliance could void the user's authority to operate the equipment.

warning

The distance between user and products should be no less than 20cm
