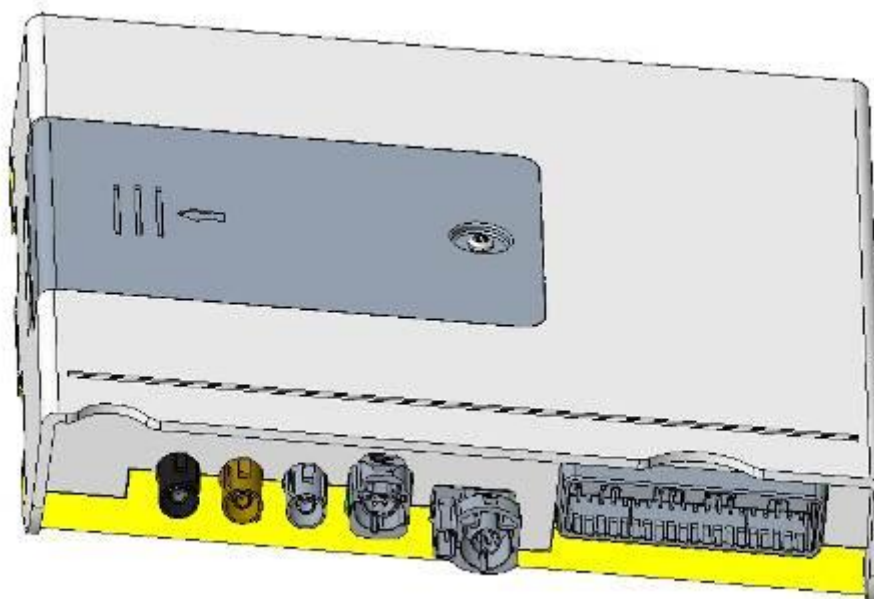


Telematics Module User Manual

(Version 1.0)



Please carefully read the User Manual before using to ensure correct and efficient operation. Product appearance, color and accessories are subject to change without prior notice!

1. Guide

1.1. Product Features.

The product features include networks communication, remote control, vehicle remote diagnostics, vehicle data monitoring, remote destination setting, GNSS location information receiving, remote refresh and other functions. The data transmission between the system and the background depends on the carrier network.



1.2. List of Features.

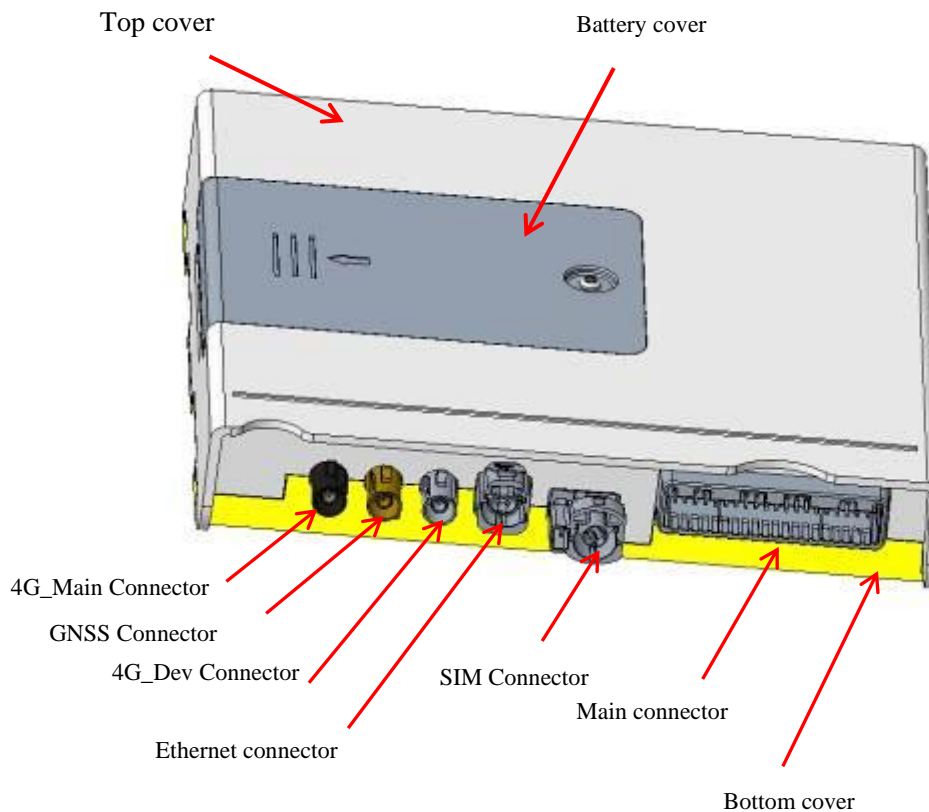
No.	Features	Description of Features
1	2/3/4G	Support for internet access
3	GNSS	Support for GPS satellite positioning with synchronization for GLONASS, BEIDOU, Galileo, QZSS for assisted positioning.
4	Remote vehicle control	Remote vehicle diagnosis, vehicle data monitoring, remote destination setting, remote refresh.
5	Upgrade	OTA (Over-The-Air) firmware upgrade

1.3. Parameters

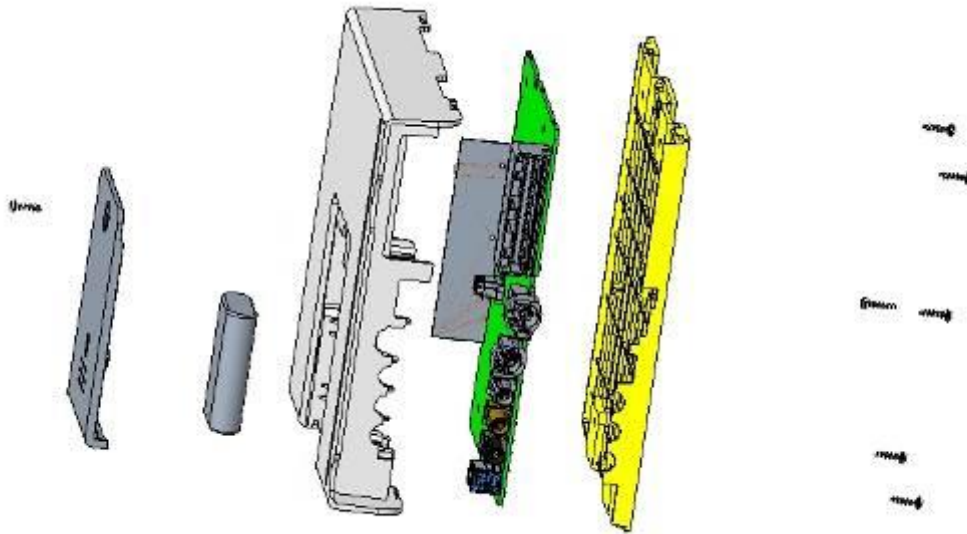
Function module	Parameters	Performance
GNSS	Tracking sensitivity	-150dBm
	Acquisition sensitivity	-150dBm
	TTF	<35S(Cold start) /<3s(Warm start)
	Positioning accuracy	When the signal is good <10m
	Frequency Band	1559-1610MHz (GPS/GLONASS/BDS/SBAS/Galileo)
LTE FDD	Frequency Band	B1/B2/B3/B4/B5/B7/B8/B28
LTE TDD	Frequency Band	/
WCDMA	Frequency Band	B1/B2/B3/B4/B5/B8
GSM/EDGE	Frequency Band	850/900/1800/1900 MHz
Rated Voltage	DC 9-16V	
Rated Current	0.5A	
Size	160*160*36mm	
Weight	563±45g	
Operating temperature range	-40°C ~+85°C	

2. Product introduction

2.1. Exterior description



3. Installation instructions



a. Align the outer contour of the bottom cover with the inner contour of the top cover, gently press the bottom cover in place, and the clips will snap the top and bottom covers together.

b. Secure the top cover, PCBA, bottom cover by fastening screws.

c. Align the battery cover clips with the slots on the top cover, gently push in and secure with screws.

4. Telematics platform application operation

Logging in to the location service platform or mobile app designated by the distributor allows you to query and configure parameters of related Telematics, such as setting work modes, account passwords, alarm settings, SOS numbers, location queries, remote listening, etc.

5. Troubleshooting

If the following malfunctions occur during operation of the Telematics, please refer to the troubleshooting solutions below. If you still cannot solve the problem, please contact your sales or service provider!

Frequently Asked Questions	Cause of the problem	Solution
Bad signal reception	When using a Telematics in an area with poor reception, such as near tall buildings or underground, radio waves cannot be effectively transmitted.	Using the Telematics in an area with good signal strength
Unable to power on	No SIM card inserted	Insert SIM card
	Low battery	Insert the device into the vehicle's OBD port to power on the car
Unable to listen	SOS number not configured	Set up SOS number
	Incoming caller ID not activated due to inactive SIM card	Activate caller ID feature for the SIM card
Unable to connect to the network	SIM card not inserted properly	Check the SIM card
	The metal surface of the SIM card is dirty	Wipe clean with a dry cloth
	Invalid SIM card	Contact your network service provider
	Out of service area	Please move to an area covered by your network service provider
	Weak signal	Please move to a location with strong signal and try again.
Unable to retrieve location information	Data function not activated due to inactive SIM card	Please contact your network service provider to activate data plan functionality
	"No data found, please try again" repeatedly	Please contact your dealer
No diagnostic data	The vehicle does not belong to the testable mode	Please confirm with the dealer before purchasing that it is supported
	Data limit exceeded	Top up and add data

6. Warning

This device complies with part 15 of the FCC Rules. Operation is subject to the following two conditions:

- (1) This device may not cause harmful interference, and
- (2) this device must accept any interference received, including interference that may cause undesired operation.

Any Changes or modifications not expressly approved by the party responsible for compliance could void the user's authority to operate the equipment.

Note: This equipment has been tested and found to comply with the limits for a Class B digital device, pursuant to part 15 of the FCC Rules. These limits are designed to provide reasonable protection against harmful interference in a residential installation. This equipment generates uses and can radiate radio frequency energy and, if not installed and used in accordance with the instructions, may cause harmful interference to radio communications. However, there is no guarantee that interference will not occur in a particular installation. If this equipment does cause harmful interference to radio or television reception, which can be determined by turning the equipment off and on, the user is encouraged to try to correct the interference by one or more of the following measures:

- Reorient or relocate the receiving antenna.
- Increase the separation between the equipment and receiver.
- Connect the equipment into an outlet on a circuit different from that to which the receiver is connected.
- Consult the dealer or an experienced radio/TV technician for help.

This equipment complies with FCC radiation exposure limits set forth for an uncontrolled environment. This equipment should be installed and operated with minimum distance 20cm between the radiator & your body.