

Car wireless charging product manual

Model 1 : CHG-WIRELESS

CONTENT

Part 1 Function Block Diagram

Part 2 Statement & Notice

Part 3 User's Interface Overview

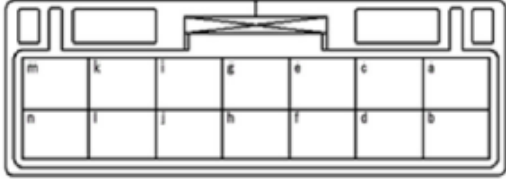
Part 4: Product Appearance and Differences

Part 5: Declaration of Conformity

Part 1: Function Block Diagram

Definition of Radio Block

Connector Pin-out Detail

Kinds of Connector	Pin #	Signal Name	Wiring Detail (SW/TWP/STWP ¹)	Rated Current ²
 <p>MRH-AL-14PV(DGY)</p>	a	+B	SW	15A
	b	ACC	SW	7.5A
	c	N.C	---	---
	d	PBLC MS-CAN-	TWP	10mA
	e	LG or TR	SW	1mA
	f	PBLC MS-CAN+	TWP	10mA
	g	LF State	SW	1.5mA
	h	DOOR_F_RH	SW	1mA
	i	DOOR_F_LH	SW	1mA
	j	DOOR_R_RH	SW	1mA
	k	DOOR_R_LH	SW	1mA
	l	GND_CFGSR	SW	0.33mA
	m	GND	SW	---
	n	GND_CFG	SW	0.33mA

Part 2: Statement & Notice

2.1 Voltage and Current Requirement

Type	Voltage/Current Value
Rated voltage/ Current	12V,3A
Maximum product power	15W
Operating voltage range	9~16V

2.2 Temperature Requirement

Type	Temperature Value
Performance guaranteed temperature range	0°C~+40°C
Storage temperature range	-40°C~+85°C
Test temperature	Nominal temperature 20°C

2.3 Parameter Tolerances

If not otherwise specified, the following tolerances shall apply:

- frequency and time: $\pm 5\%$
- voltages: $\pm 0.5V$
- current: $\pm 10\%$
- resistance: $\pm 5\%$

- temperature: $\pm 5^{\circ}\text{C}$
- Operation Frequency: $\pm 500\text{HZ}$

2.4 Product information

- **Manufactured Name:** Huizhou Desay SV Automotive Co., Ltd
- **Manufactured address:** 103, He chang 5th Road West, Zhongkai National Hi-tech Industrial Development Zone, Huizhou, Guangdong, P.R. China
- **Factory Name :** Huizhou Desay SV Automotive Co., Ltd
- **Factory address:** 103, He chang 5th Road West, Zhongkai National Hi-tech Industrial Development Zone, Huizhou, Guangdong, P.R. China
- **Importer: XXX**
- **Importer Address: XXX**

- **Hardware/ Software version**
- HW:004
- SW:1107

Part 3: User's Interface Overview



MODEL 1 : CHG ASSY-WIRELESS

1Indicator light _Charge indicator

The Pattern	Qi State	Color	Lighting / Blinking	Frequency
A	Power OFF	OFF	Light off	-
B	Power on (Non-charging)	White	Flashing	0.5Hz
C	Power on (Charging)	White	Light up	-
D	Charging (rapid)	Green	Light up	-
E	Charging (Rapid & misalignment)	Green	Flashing	0.5Hz
F	Charging (Normal)	Orange	Light up	-
G	Charging (Normal & misalignment)	Orange	Flashing	0.5Hz
H	high temperature / Foreign object detection	Red	Flashing	1Hz
I	Malfunction	Red	Light up	-

2 HK_power button

- ① Long press HK_power button to turn on or turn off the DUT. (≥3S)
- ② Short press the power button to switch frequency of charging

3 area_ Charging area

Functional Requirements:

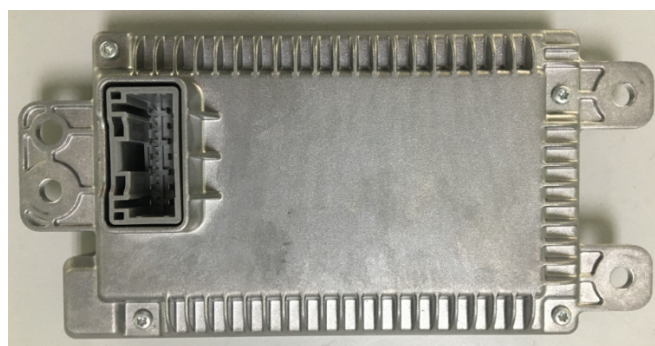
Wireless Charging	
Max power transmitter	15W
Foreign object detection	Yes
Temperature detection	Yes
Charging working frequency switching	Yes
Operating Frequency	110-205KHz, typical 127KHz
Maximum RF Output Power	28.27dBuA/m at 3m distance

NFC	
Contactless card identification	Yes
Operating Frequency	13.553-13.567MHz, typical 13.56MHz
Maximum RF Output Power	6.48 dBuA/m at 3m distance

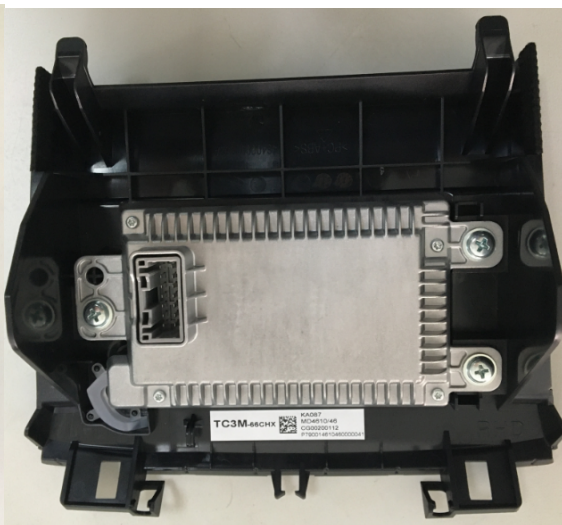
Part 4: Product Appearance

型號 1:CHG-WIRELESS

Wireless Charging Module:



Wireless Charging Module+ panel:



Part 5: Declaration of Conformity

5.1 Simplified EU Declaration of Conformity

The simplified EU declaration of conformity referred to in Article 10(9) shall be provided as follows: Hereby, [Huizhou Desay SV Automotive Co., Ltd.] declares that the radio equipment type [designation of type of radio equipment] is in compliance with Directive 2014/53/EU. The full text of the EU declaration of conformity is available at the following internet address:<http://www.desaysv.com/index.php?id=oumeng>

5.2 Statement

This device complies with Industry Canada licence-exempt RSS standard(s).

Operation is subject to the following two conditions: (1) this device may not cause interference, and (2) this device must accept any interference, including interference that may cause undesired operation of the device.

Le présent appareil est conforme aux CNR d'Industrie Canada applicables aux appareils radio exempts de licence. L'exploitation est autorisée aux deux conditions suivantes : (1) l'appareil ne doit pas produire de brouillage, et (2) l'utilisateur de l'appareil doit accepter tout brouillage radioélectrique subi, même si le brouillage est susceptible d'en compromettre le fonctionnement:

This device complies with part 15 of the FCC rules. Operation is subject to the following two conditions: (1) this device may not cause harmful interference, and (2) this device must accept any interference received, including interference that may cause undesired operation. Changes or modifications not expressly approved by the party responsible for compliance could void the user's authority to operate the equipment.

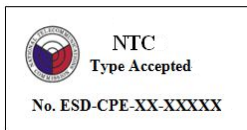
NOTE: This equipment has been tested and found to comply with the limits for a Class B digital device, pursuant to part 15 of the FCC Rules. These limits are designed to provide reasonable protection against harmful interference in a residential installation. This equipment generates uses and can radiate radio frequency energy and, if not installed and used in accordance with the instructions, may cause harmful interference to radio communications. However, there is no guarantee that interference will not occur in a particular installation. If this equipment does cause harmful interference to radio or television reception, which can be determined by turning the equipment off and on, the user is encouraged to try to correct the interference by one or more of the following measures:

- Reorient or relocate the receiving antenna.
 - Increase the separation between the equipment and receiver.
 - Connect the equipment into an outlet on a circuit different from that to which the receiver is connected.
 - Consult the dealer or an experienced radio/TV technician for help
- Important Note: Radiation Exposure Statement

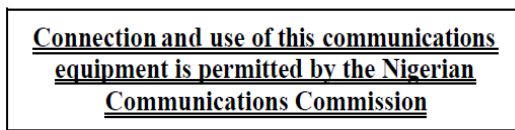
Radiation Exposure Statement Caution: This Transmitter must be installed to provide a separation distance of at least 20 cm from all persons.

IC Radiation Déclaration d'exposition Attention: Cet émetteur doit être installé pour fournir une distance de séparation d'au moins 20 cm de toute personne.

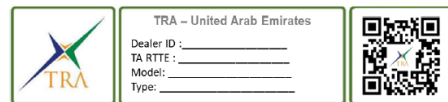
5.3 Certification Mark



Philippines



Nigeria



UAE(United Arab Emirates)

ictQATAR
Type Approval reg. No.:
nnnnnn

Importer No:
XXXXXXXXXX

Qatar

For more certification marks, Please see the product label.